

**MICRO SWITCH**

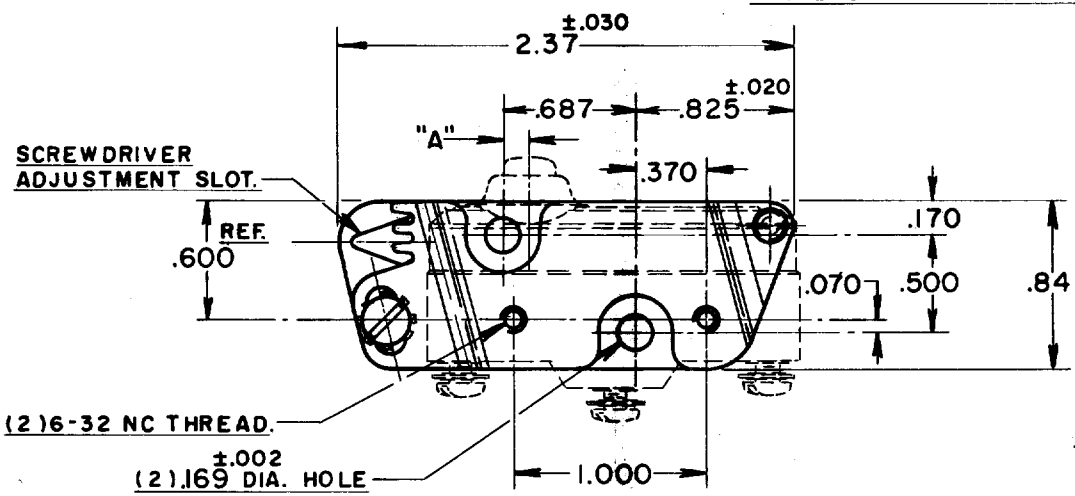
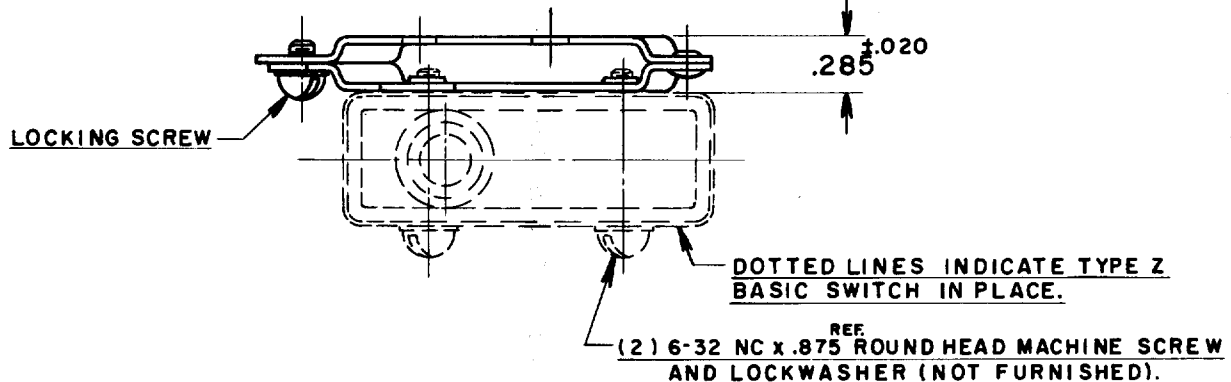
A DIVISION OF MILWAUKEE-HONEYWELL REGULATOR COMPANY  
 FREEPORT, ILLINOIS

**BRACKET - MOUNTING**

FED. MFR. CODE 91929

**PLUNGER LOCATION**

BASIC SWITCH TYPE	DIM. "A"
STANDARD	.057
TYPE Z	.140
TYPE A	.307



**NOTE-**

- 1-BRACKET IS SHOWN AT APPROX. MIDPOINT OF TOTAL .080 ADJUSTMENT OF OPERATING POSITION.
- 2-TO ADJUST OPERATING POSITION
  - (a) LOOSEN LOCKING SCREW SLIGHTLY.
  - (b) INSERT SCREWDRIWER WITH .188 TO .250 WIDE TIP IN ADJUSTMENT SLOT AND ROTATE IN DESIRED DIRECTION.
  - (c) TIGHTEN LOCKING SCREW.

THIS DRAWING COVERS A PROPRIETARY ITEM AND IS THE PROPERTY OF MICRO SWITCH, A DIVISION OF HONEYWELL. THIS DRAWING IS NOT TO BE COPIED OR USED WITHOUT THE APPROVAL OF MICRO SWITCH.

CHARACTERISTICS	ELECTRICAL DATA		SCALE FULL
	CONTACT ARRANGEMENT	BREAK DISTANCE	DO NOT SCALE PRINT
			UNLESS OTHERWISE SPECIFIED DIMENSIONS ARE IN INCHES
			<b>TOLERANCES ARE:</b>
			ONE PLACE (.0) $\pm$ .030
			TWO PLACE (.00) $\pm$ .015
			THREE PLACE (.000) $\pm$ .005
			ANGLES $\pm$
			WEIGHT

(M) SKETCH 16022  
 ISSUE 1  
 REPLACES SR 6517  
 DRAWING NUMBER  
 M  
 8MAI  
 RELEASE NO.  
 CHECK  
 REVISIONS  
 4 JUNE '57  
 BLS  
 CHECK  
 13 JUNE '57  
 GCH  
 CHECK  
 31 MAY '57  
 R. L. Z.  
 DRAWN  
 FO-50378