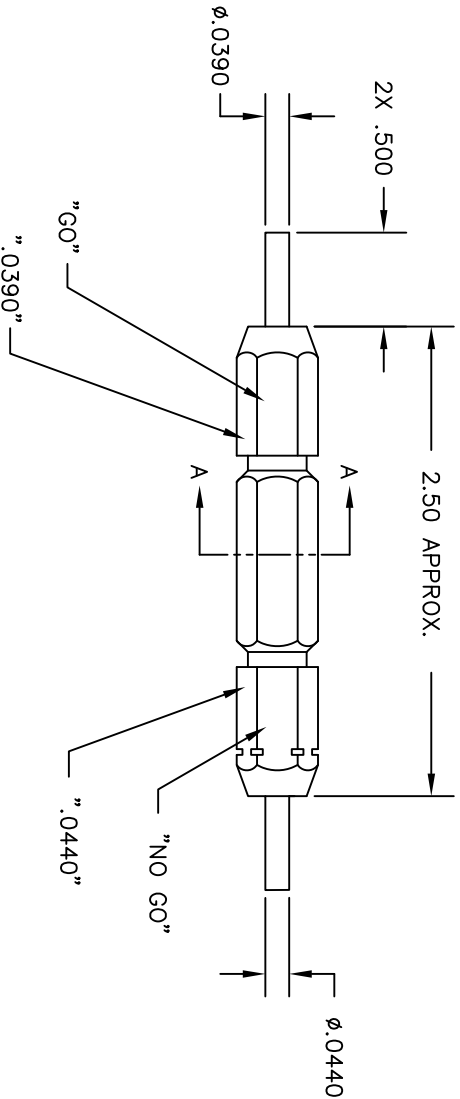


REVISIONS			
REV. SYML	E.C.O. NUMBER	DESCRIPTION	BY DATE
2		ADDED MIL # IN TITLE BLOCK	JMM 1/30/07 RRR 1/30/07

"M22520/3-1"
 "DANIELS-USA G125"
 "CAGE 11851"
 "DO NOT CRIMP"
 "GAGE"
 "USE SEL. 4 FOR M22520/1-01"
 "USE SEL. 8 FOR M22520/2-01"

SECTION A-A



**UNCONTROLLED DOCUMENT
 WILL NOT BE UPDATED**

RESTRICTED & CONFIDENTIAL <small>CONFIDENTIAL PROPERTY OF DANIELS MANUFACTURING CORP. THIS DRAWING IS NOT TO BE REPRODUCED OR USED FOR ANY OTHER PURPOSE, EXCEPT AS AUTHORIZED IN WRITING BY DANIELS MANUFACTURING. MUST BE RETURNED TO DANIELS MANUFACTURING UPON COMPLETION OF ORDER OR PURCHASE FOR WHICH LENT.</small>		MATERIAL		ITEM		PART NO.		DESCRIPTION/REMARKS	
HEAT TREAT		FINISH		DRN. J. JOYCE	DATE 11/10/99	DANIELS MANUFACTURING CORP. ORLANDO, FLORIDA		GO/NO-GO GAGE (M22520/3-1)	
HEAT TREAT		FINISH		CHK'D. RRR	DATE 11/10/99	CAGE 11851		ENVELOPE DRAWING	
HEAT TREAT		FINISH		APP'D.	DATE	TITLE		WHERE USED:	
HEAT TREAT		FINISH		NOTE: THIS DRAWING IS AN OUTLINE DRAWING OF THE RESPECTIVE DIMENSIONS. ACTUAL DIMS INDICATED BY DIMENSIONS. PART NUMBER WITHOUT THE "ENV" SUFFIX.		G0/NO-GO GAGE (M22520/3-1)		CAD P/N G125-ENV	
HEAT TREAT		FINISH		THIS DRAWING IS AN OUTLINE DRAWING OF THE RESPECTIVE DIMENSIONS. ACTUAL DIMS INDICATED BY DIMENSIONS. PART NUMBER WITHOUT THE "ENV" SUFFIX.		G0/NO-GO GAGE (M22520/3-1)		SHEET 1 OF 1	
HEAT TREAT		FINISH		THIS DRAWING IS AN OUTLINE DRAWING OF THE RESPECTIVE DIMENSIONS. ACTUAL DIMS INDICATED BY DIMENSIONS. PART NUMBER WITHOUT THE "ENV" SUFFIX.		G0/NO-GO GAGE (M22520/3-1)		REV. 2	
HEAT TREAT		FINISH		THIS DRAWING IS AN OUTLINE DRAWING OF THE RESPECTIVE DIMENSIONS. ACTUAL DIMS INDICATED BY DIMENSIONS. PART NUMBER WITHOUT THE "ENV" SUFFIX.		G0/NO-GO GAGE (M22520/3-1)		REV. 2	