

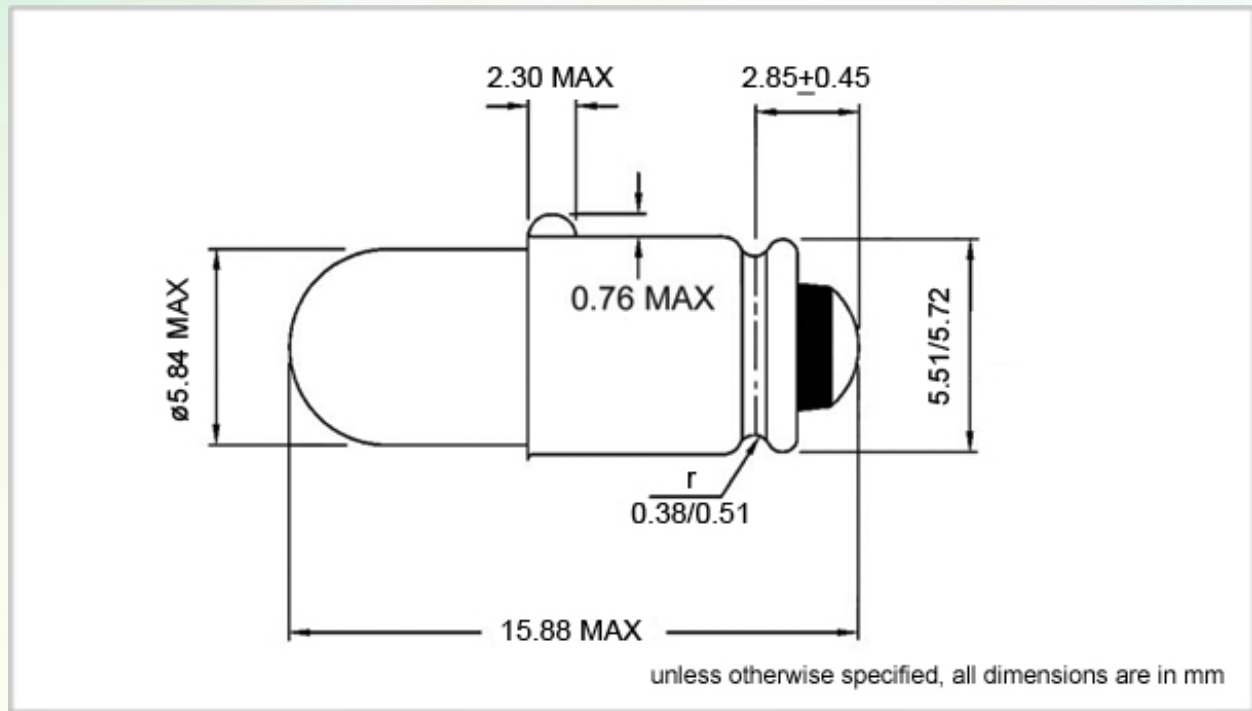
# T-1<sup>3</sup>/<sub>4</sub> MIDGET GROOVE BASE

## SUBMINIATURE LAMP

28V 40mA

WAMCO PART NO.	ENVELOPE SIZE	BASE TYPE	RATING	FILAMENT SHAPE			
WL-334	T-1 <sup>3</sup> / <sub>4</sub>	MG	28V 40mA	C-2F			
TEST VOLTS	CURRENT (mA)			LIGHT OUTPUT (MSCP)			LIFE HRS
	MIN	NOM	MAX	MIN	NOM	MAX	
28V	36	40	44	.255	.340	.425	4,000

### DIMENSIONAL CHARACTERISTICS



### NOTES

1. Part mark WL-334
2. RoHS compliant
3. ANSI trade number 334

