

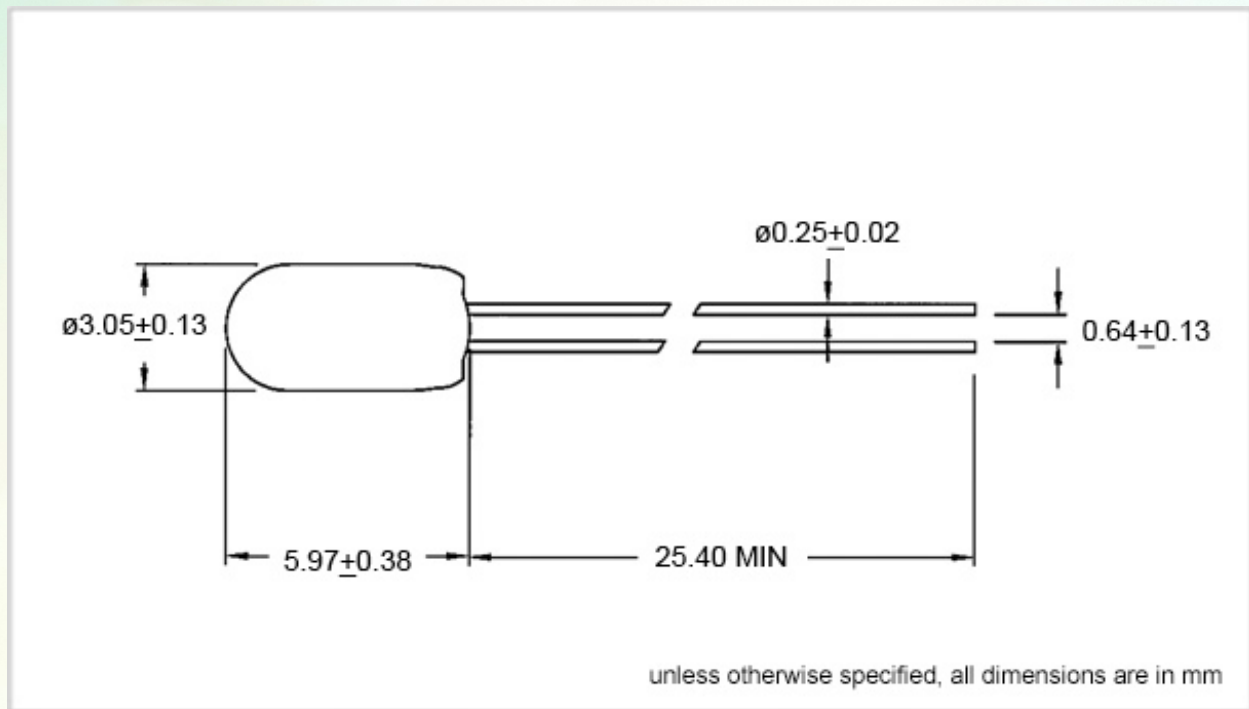
T-1 WIRE TERMINAL

SUBMINIATURE LAMP

5V 60mA

WAMCO PART NO.	ENVELOPE SIZE	BASE TYPE	RATING	FILAMENT SHAPE			
WL-683AS15	T-1	WT	5V 60mA	C-2R			
TEST VOLTS	CURRENT (mA)			LIGHT OUTPUT (MSCP)			LIFE HRS
5V	MIN	NOM	MAX	MIN	NOM	MAX	40,000
	54	60	66	.042	.050	.058	

DIMENSIONAL CHARACTERISTICS



NOTES

1. RoHS compliant
2. ANSI trade number 683 AS15
3. Military standard MS24367-683AS15

