

T-1 SHORT WIRE TERMINAL

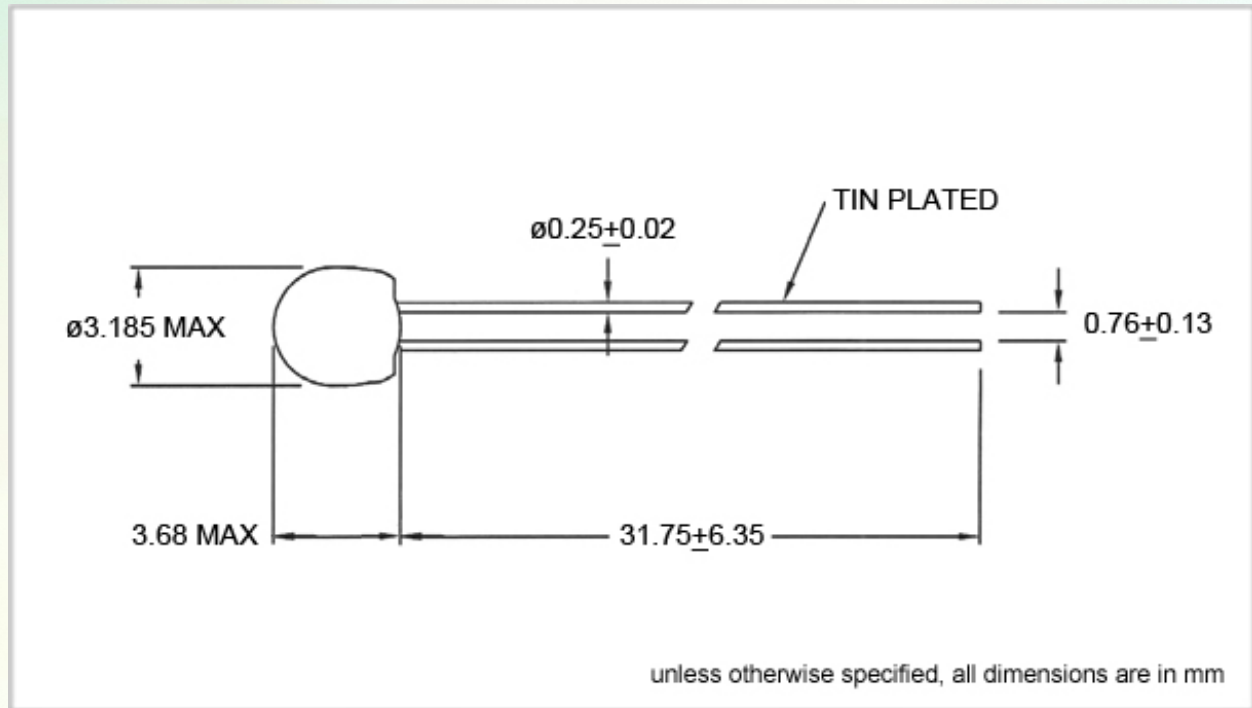
SUBMINIATURE LAMP

28V 20mA

WAMCO PART NO.	ENVELOPE SIZE	BASE TYPE	RATING	FILAMENT SHAPE
WL-7009	T-1 SHORT	WT	28V 20mA	CC-2F

TEST VOLTS	CURRENT (mA)			LIGHT OUTPUT (MSCP)			LIFE HRS
	MIN	NOM	MAX	MIN	NOM	MAX	
28V	18.0	20.0	22.0	.112	.150	.188	1,500

DIMENSIONAL CHARACTERISTICS



NOTES

1. RoHS compliant
2. ANSI trade number 7009

