

T-3/4 WIRE TERMINAL

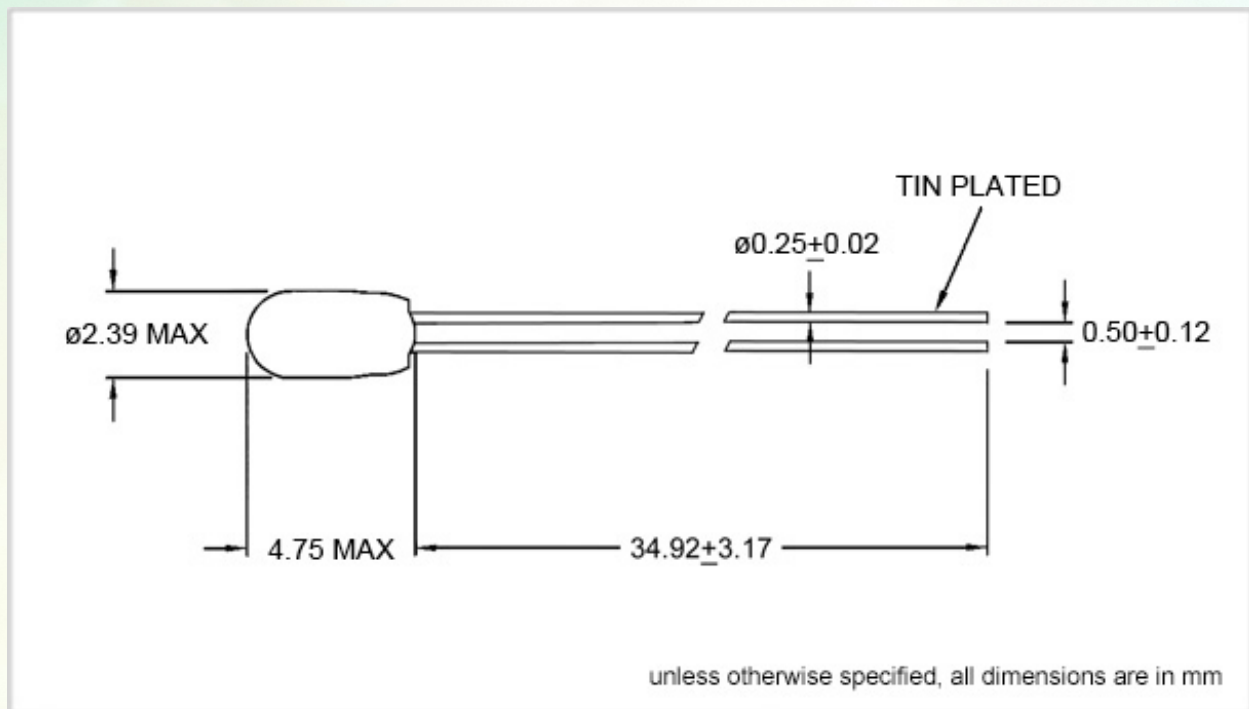
SUBMINIATURE LAMP

5V 115mA

WAMCO PART NO.	ENVELOPE SIZE	BASE TYPE	RATING	FILAMENT SHAPE
WL-7153AS15	T-3/4	WT	5V 115mA	C-2R

TEST VOLTS	CURRENT (mA)			LIGHT OUTPUT (MSCP)			LIFE HRS
	MIN	NOM	MAX	MIN	NOM	MAX	
5V	103	115	127	.127	.150	.173	40,000

DIMENSIONAL CHARACTERISTICS



NOTES

1. Tin plated leads
2. RoHS compliant
3. ANSI trade number 7153 AS15
4. Military standard MS90452-7153

