

T-1³/₄ WEDGE BASE

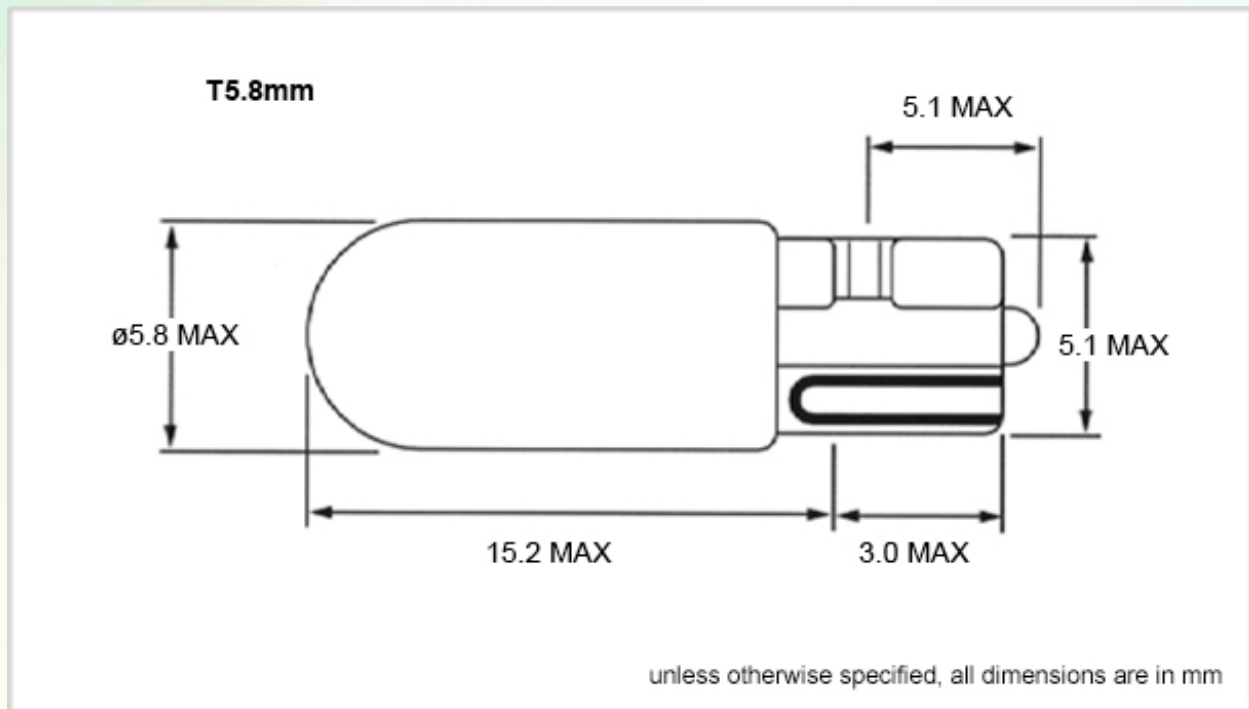
MINIATURE LAMP

28V 40mA

WAMCO PART NO.	ENVELOPE SIZE	BASE TYPE	RATING	FILAMENT SHAPE
WL-85	T-1 ³ / ₄	WEDGE BASE	28V 40mA	C-2F

TEST VOLTS	CURRENT (mA)			LIGHT OUTPUT (MSCP)			LIFE HRS
	MIN	NOM	MAX	MIN	NOM	MAX	
28V	36	40	44	.225	.300	.375	7,000

DIMENSIONAL CHARACTERISTICS



NOTES

1. T5.8mm
2. Part mark 85
3. RoHS compliant
4. ANSI trade number 85

