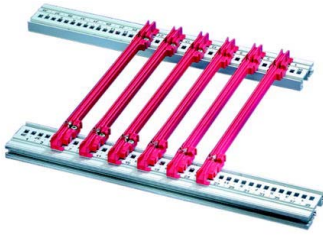


Guide rail, 160 mm deep

Catalog Number: 64560-001



- Can be clipped into 1,5 mm thick plate
- Plastic guide rail, one piece, red, for 2 mm groove width
- Storage temperature: from -40 °C ... 130 °C
- Assembly
- Can be clipped into horizontal rails in Al extrusion



Description

Product family:

EuropacPRO

Type:

Individual Components

Individual Component Type:

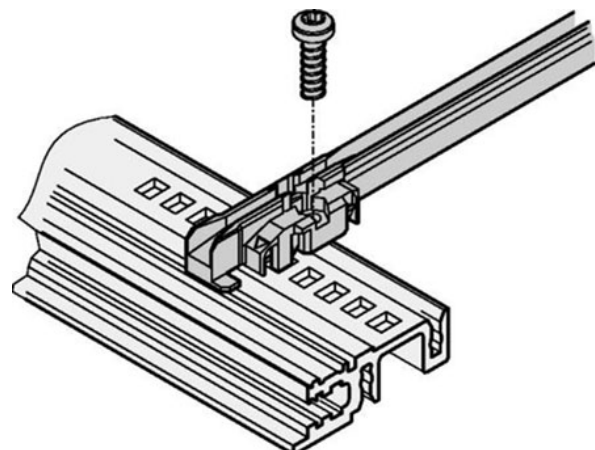
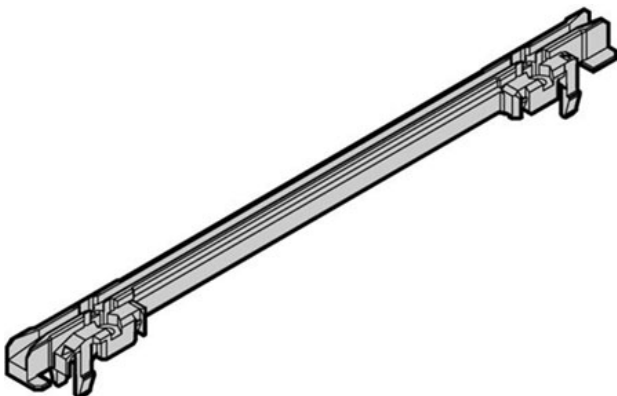
Guide Rails & Accessories

Standard pack quantity (SPQ):

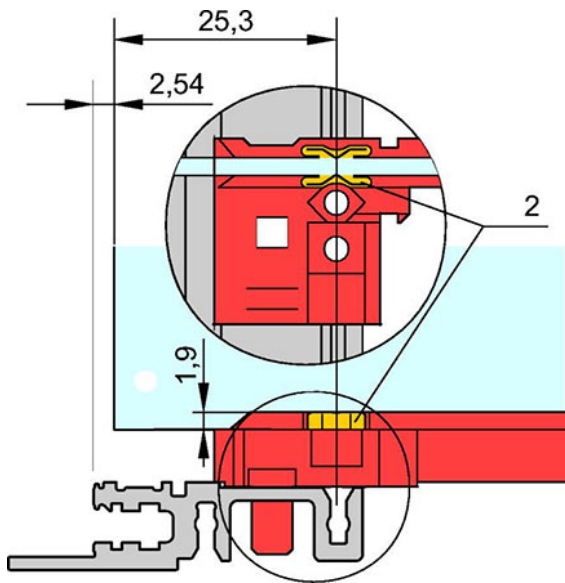
Please take into consideration that deliveries may be carried out in the stated SPQs (SPQ, e.g. 5 pieces, 10 pieces, 50 pieces, etc.). Differing order quantities (e.g. 2 pieces) may be changed to the next possible delivery quantity = Standard Pack Quantity.

Technical Data

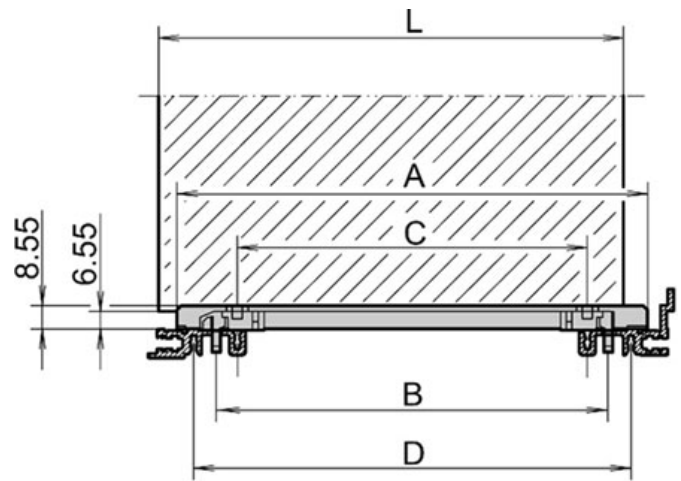
Catalog Number	64560-001
Length mm	160,0
Qty	1 piece (SPQ 50)
Delivery is exclusively made in Standard Pack Quantity (SPQ)	50
Colour	red
Groove width	2,0
Material	PBT, UL 94 V-0
Description	For plug-in units and frame type plug-in units



Optional screw fixing



Optionally with ESD clip



Accessories

Item		
	ESD clip for guide rails, Spring steel, tin-plated, silver, PU 50 pieces	24560-255
	Panhead screw, Torx (2,5x9,3), self-tapping, steel zinc plated, PU 100 pcs	24560-141