

rotronic

Datenblatt - Fiche technique - Data sheet

26.11.0352



ROLINE Kat.6/Class E Keystone, RJ-45, ungeschirmt, schwarz

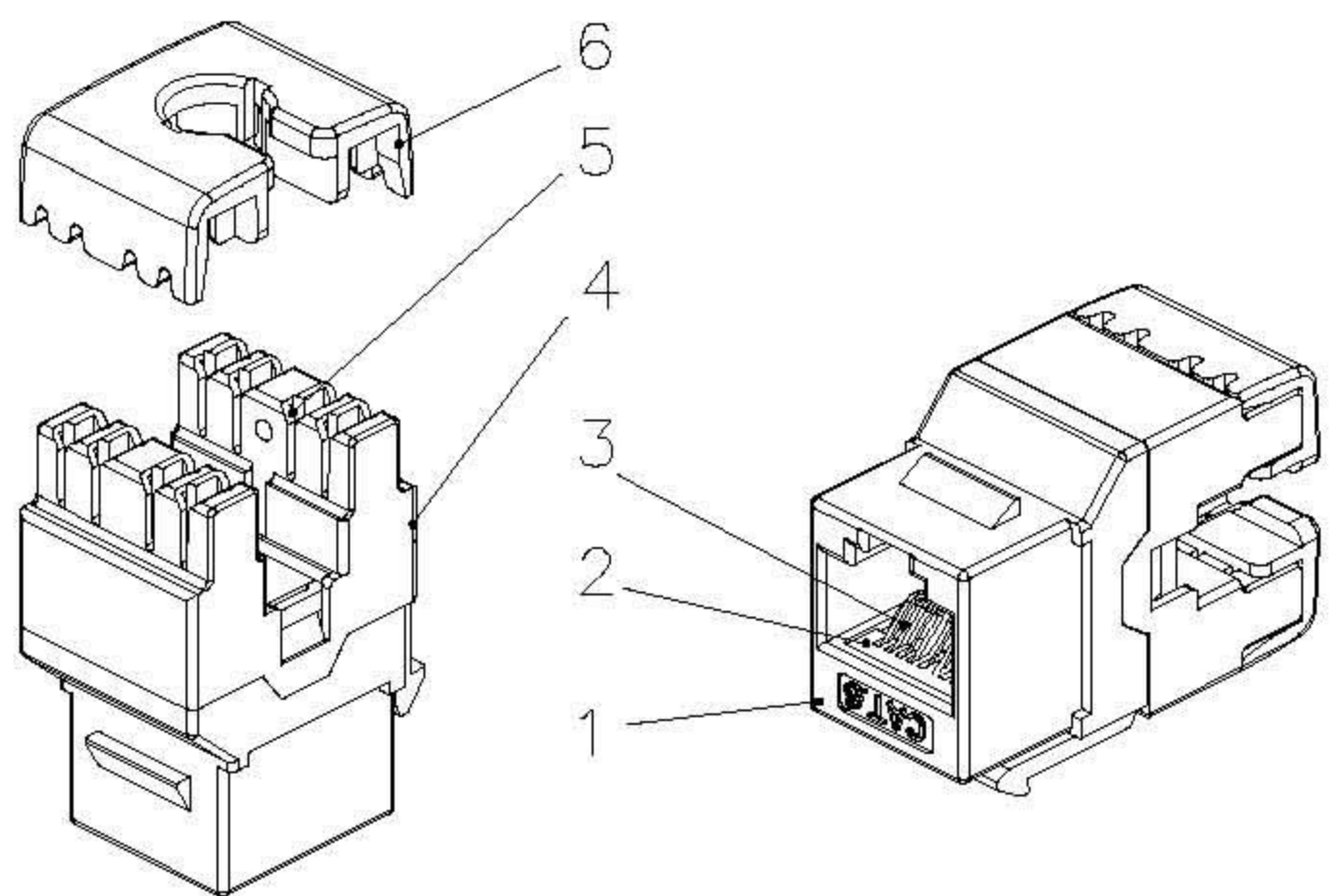
ROLINE Module Cat.6/Classe E, RJ-45, non blindé, noir

ROLINE Cat.6/Class E Keystone Jack, RJ-45, unshielded, black

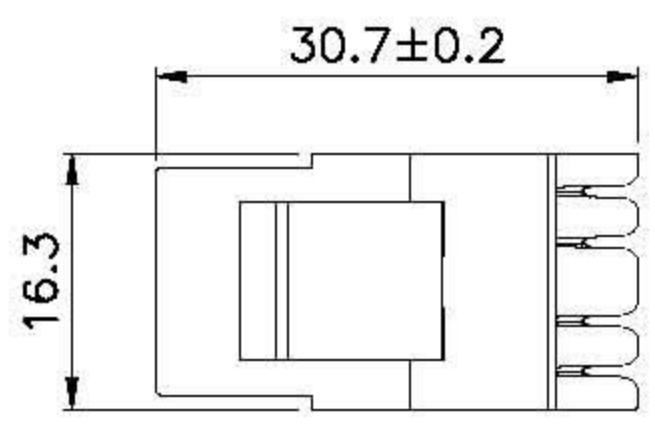
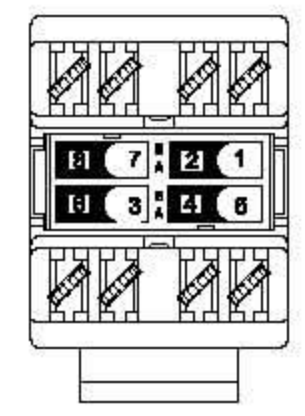
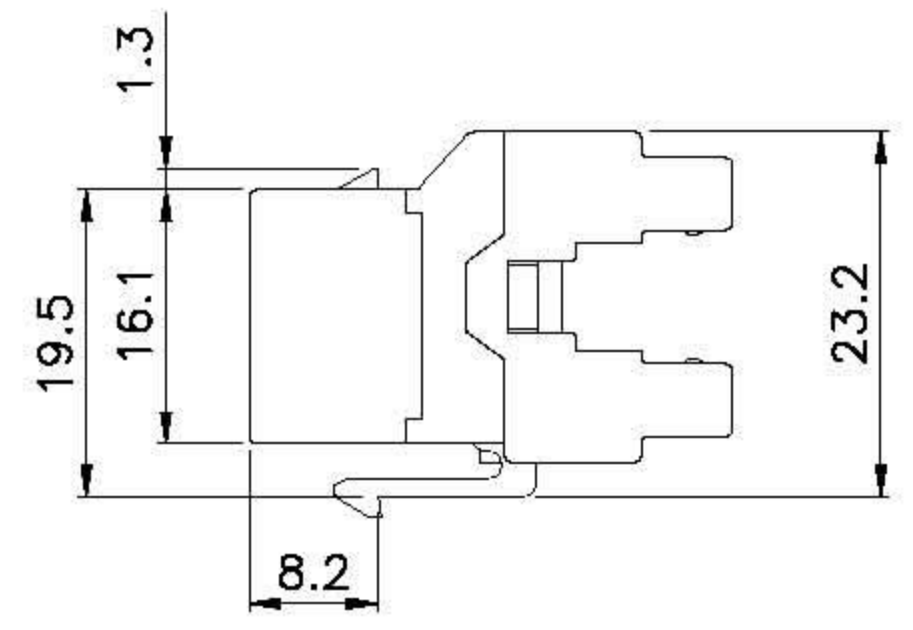
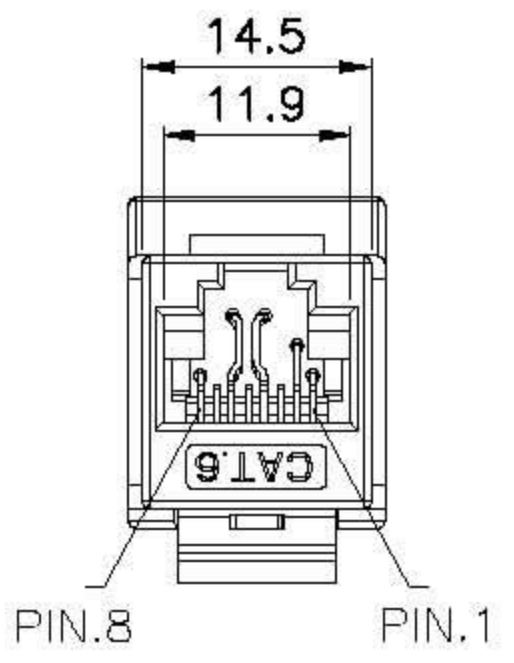
1 2 3 4 5 6

A

A



SCALE 1/1



B

B

Specification :

Material :

1. Plastic Housing : ABS + PC, UL94V-0.
2. Jack Bracket Set : Polycarbonate, UL94-HB, Transparent color.
3. RJ45 Jack Contact material & finished :
 - 3-1. Phosphor Bronze with 50-60 micro-inch Nickel plated.
 - 3-2. Contact area : Min.3 mm 50 micro-inch Gold plated.
4. IDC Housing : PC+5%GF, UL 94V-2.
5. IDC Terminal material & finished :
 - 5-1. Phosphor Bronze with 50 micro-inch Tin plated.
 - 5-2. 110&Krone tool compatible.
 - 5-3. Suitable for 22-26 AWG stranded and solid wire.
6. IDC CAP : ABS, UL 94V-0.

Performance :

- a. The sticker color codes combine two wirings of T568A & T568B.
- b. Insertion Force : 900 gms for 8 contacts.
- c. Retention Strength : 7.7 kgs between Jack and Plug.
- d. Operation Temperature : -40°C to 80°C.
- e. Durability :
 - e-1. Jack : 750 cycles Plug-Jack mating and unmating test, insertion cycles at 20 cycles/minute max. Contact resistance test per 100 cycles.
 - e-2. IDC : Max. 200 punching times.
- f. The Cat.6 performance is in compliance with the ANSI/TIA/EIA 568 B.2-1 standard.

C

C

D

D

GENERAL TOLERANCE OF DIMENSIONS X.XXX ±0.005 X.XX ±0.05 X.X ±0.1	DRAWING	19.MAR.2009	Connie	rotronic	
	CHECK	19.MAR.2009	KLi		
	APPROVAL	19.MAR.2009	Yty		
		DATE	NAME	ITEM NO.: 26.11.0352,53	
	SCALE	1/1 (A4)	UNIT	mm	DES.: Cat.6 180° Keystone Jack
		DRAWING NO.	KJ18-C6CUS/XX(SA1)		
		DRAWING CLASSIFICATION		SHEET	1 OF 1

1 2 3 4 5 6

0 10cm

