

**PLEASE CHECK WWW.MOLEX.COM FOR LATEST PART INFORMATION**

**Part Number:** [0743232033](#)

**Status:** **Active**

**Overview:** [MicroCross™ DVI Connectors and Cable Assemblies](#)

**Description:** MicroCross™ DVI Digital/Analog Dual Link Component, Gold (Au) Flash, High Volume Plug Connector Sub-assembly, Vertical, 29 Circuits, Lead-Free

**Documents:**

[Drawing \(PDF\)](#)

[RoHS Certificate of Compliance \(PDF\)](#)

**Agency Certification**

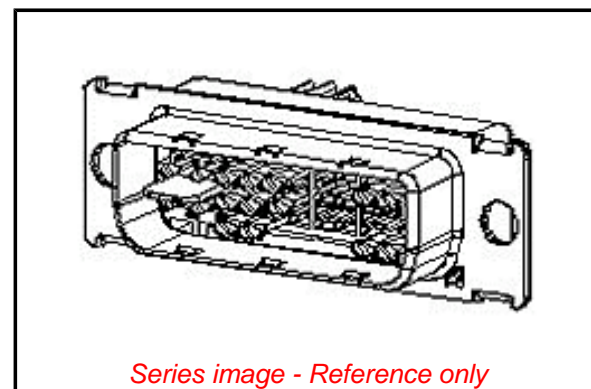
CSA LR19980  
UL E29179

**General**

Product Family I/O Connectors  
Series [74323](#)  
Application Wire-to-Board  
Comments DDWG (Digital Display Working Group) Standard  
Component Type I/O Plug Connector Subassembly  
Electrical Model Yes  
Overview [MicroCross™ DVI Connectors and Cable Assemblies](#)  
Product Name MicroCross™DVI  
Type N/A  
UPC 800753025868

**Physical**

Boot Color N/A  
Circuits (Loaded) 29  
Circuits (maximum) 29  
Circuits Detail Circuits 1-24; C1-C5 are loaded  
Color - Resin Black  
Durability (mating cycles max) 100  
Flammability 94V-0  
Keying to Mating Part Yes  
Lock to Mating Part Yes  
Material - Metal Copper Alloy  
Material - Plating Mating Gold  
Material - Plating Termination Tin  
Material - Resin High Temperature Thermoplastic  
Net Weight 8.341/g  
Number of Rows 3  
Orientation Vertical  
PCB Retention None  
Packaging Type Tray  
Panel Mount N/A  
Pitch - Mating Interface 1.90mm, 2.54mm  
Pitch - Termination Interface 1.90mm, 2.54mm  
Plating min - Mating 0.254µm  
Plating min - Termination 3.810µm  
Polarized to Mating Part Yes  
Polarized to PCB Yes  
Ports 1  
Temperature Range - Operating -20°C to +85°C  
Termination Interface: Style Solder or Weld  
Waterproof / Dustproof No  
Wire Size AWG N/A



*Series image - Reference only*

**EU ELV**

**Not Relevant**

**EU RoHS**

**Compliant**

**REACH SVHC**

Contains SVHC(15. June 2015): No

**Halogen-Free**

**Status**

**Not Low-Halogen**

**Need more information on product environmental compliance?**

Email [productcompliance@molex.com](mailto:productcompliance@molex.com)  
Please visit the [Contact Us](#) section for any non-product compliance questions.

China ROHS

ELV

Green Image

Not Relevant

**Search Parts in this Series**

[74323 Series](#)

**Mates With**

Other Receptacle components, [74320 DVI Receptacle](#), [67351 DVI Receptacle](#)

**Application Tooling | FAQ**

*Tooling specifications and manuals are found by selecting the products below. Crimp Height Specifications are then contained in the Application Tooling Specification document.*

**Global**

**Description**

**Product #**

Soldering Fixture

[0621003700](#)

**Electrical**

Current - Maximum per Contact	3.0A
Grounding to Panel	Yes
Shield Type	Full Shield
Shielded	Yes
Voltage - Maximum	40V AC (RMS)

**Material Info****Reference - Drawing Numbers**

Electrical Model Document	EE-74320-002
S-Parameter Model	SP-74320-002
Sales Drawing	SD-74323-003

This document was generated on 10/30/2015

**PLEASE CHECK [WWW.MOLEX.COM](http://WWW.MOLEX.COM) FOR LATEST PART INFORMATION**