

PLEASE CHECK WWW.MOLEX.COM FOR LATEST PART INFORMATION

Part Number: **0747370009**
Status: **Active**
Overview: SFP+ and SFP Interconnect Solutions
Description: SFP One Piece Cage, EMI Shielding, 3.05mm Press-Fit Tails

Documents:

3D Model	Test Summary TS-74737-1010 (PDF)
Drawing (PDF)	Test Summary TS-74737-1011 (PDF)
Application Specification AS-74737-001 (PDF)	RoHS Certificate of Compliance (PDF)

General

Product Family	EMI Cages
Series	74737
Application	Module-to-Board
Application Tooling Part Link	62202-9745
Application Tooling Part Link	62202-9750
Component Type	Cage Assembly
Mates With	74720 SFP Copper Module, 73929 SFP Cable Assembly, Passive, 2 Gbps, 73930 SFP Cable Assembly, Active, 2 Gbps, 74742 SFP Cable Assembly, Passive, 4 Gbps, 74743 SFP Cable Assembly, Active, 4 Gbps
Overview	SFP+ and SFP Interconnect Solutions
Product Name	SFP
UPC	822350185813
Use With	74441 Connector

Physical

EMI Panel / Bezel Mount	Spring Fingers
Light Pipes per Port	0
Material - Metal	Copper Alloy
Net Weight	4.309/g
Orientation	Horizontal
Packaging Type	Tray
Port Configuration	1x1
Rear Legs	3
Termination Interface: Style	Through Hole - Compliant Pin
Thermal Height	N/A
Thermal Solutions	Closed Top

Solder Process Data

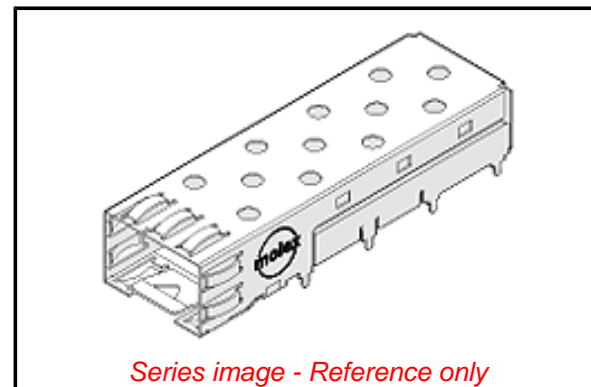
Lead-freeProcess Capability	SMC&WAVE
Process Temperature max. C	265

Material Info

Old Part Number	73927-0009
-----------------	------------

Reference - Drawing Numbers

Application Specification	AS-74737-001
Sales Drawing	SD-74737-009, SD-74737-020
Test Summary	TS-74737-1010, TS-74737-1011



Series image - Reference only

EU ELV

Not Relevant

EU RoHS

Compliant

China RoHS

REACH SVHC

Contains SVHC(2015 June 15): No

Halogen-Free

Status

Low-Halogen

Need more information on product environmental compliance?

Email productcompliance@molex.com
Please visit the [Contact Us](#) section for any non-product compliance questions.

China ROHS
ELV

Green Image
Not Relevant

Search Parts in this Series

74737 Series

Application Tooling | FAQ

Tooling specifications and manuals are found by selecting the products below. Crimp Height Specifications are then contained in the Application Tooling Specification document.

Global

Description	Product #
Multi-Port Connector Tooling	0622029745
Removal Tool for 1 by 1 Small Form-Factor Pluggable	0622029750