



## HAND DRYER USER MANUAL

### PL15024

#### **Product contents:**

- 1 Hand dryer
- 1 User manual
- 1 Installation template
- 1 Pack of 3 screws and 3 wall plugs

#### **Safety Information:**

When using electrical appliances basic safety precautions should always be followed.


- Check that the voltage indicated on the rating plate corresponds with that of the local network before connecting the appliance to the mains power supply.
- This appliance is designed for indoor use only.
- There are no user-serviceable parts in this product. Refer servicing to qualified personnel.
- Do not operate this appliance with a damaged cord, after a malfunction or after being dropped or damaged in any way.
- If the supply cord is damaged, it must be replaced by the manufacturer, its service agent or similarly qualified persons in order to avoid a hazard.
- This appliance can be used by children aged from 8 years and above and persons with reduced physical, sensory, or mental capabilities or lack of experience and knowledge if they have been given supervision or instruction concerning use of the appliance in a safe way and understand the hazards involved.
- This appliance can be used by children from 8 years and above and persons with reduced physical, sensory or mental capabilities or lack of experience and knowledge if they have been given supervision or instruction concerning use of the appliance in a safe way and understand the hazards involved.
- Children shall not play with the appliance.
- Cleaning and maintenance shall not be made by children without supervision.
- **WARNING:** Do not use this appliance near bathtubs, showers, basins or other vessels containing water.
- Do not block the air inlet or outlet as this will cause the dryer to overheat.

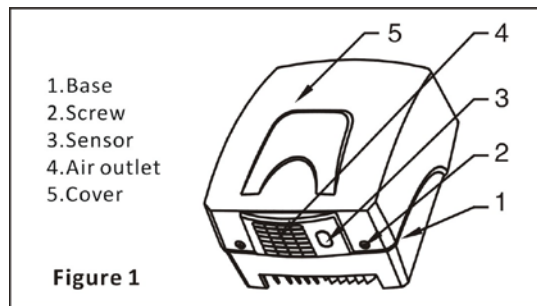
- Do not place the dryer near to soft furnishings as this may cause damage to them, and could cause the dryer to overheat.

### Product Information

The hand dryer has a built-in limit thermostat. When the temperature of the unit goes over the preset temperature it will cut off the power. The thermostat will reset automatically.

### Specification:

| Voltage   | Power | Frequency | Water splash proof | Electric-shock safeguard  |
|-----------|-------|-----------|--------------------|---|
| 220-240V~ | 1500W | 50/60Hz   | IP22               |  |

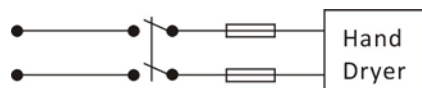


### Installation:

**This product must be installed in accordance with the IET Wiring Regulations (BS7671) and the Building Regulations. If in any doubt, contact a qualified electrician.**

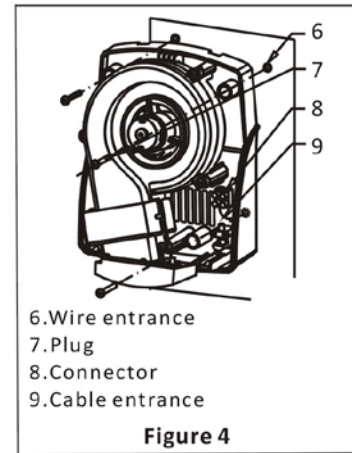
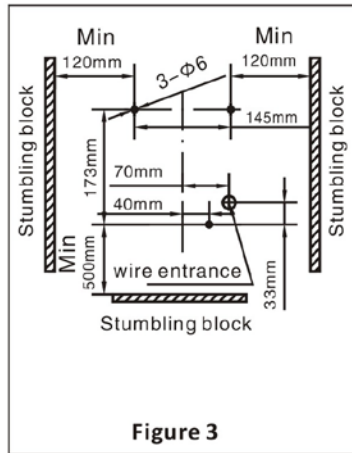
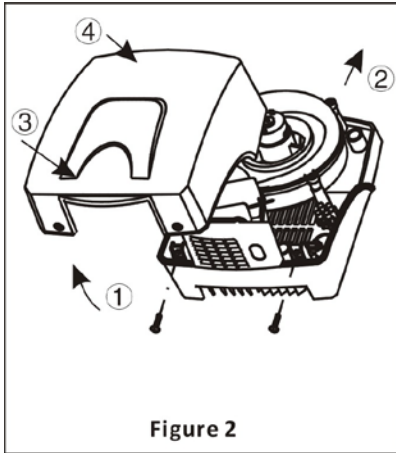
The recommended installation height (measured from air outlet to the floor) 1.2m for men, 1.1m for women, and 0.9m for children.

The electrical connection must be made using a double pole isolating switch with a break contact distance of at least 3mm.



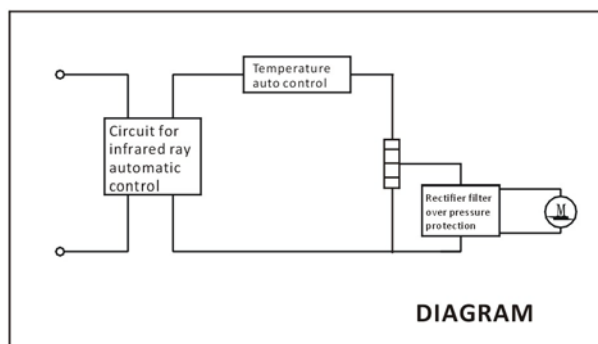
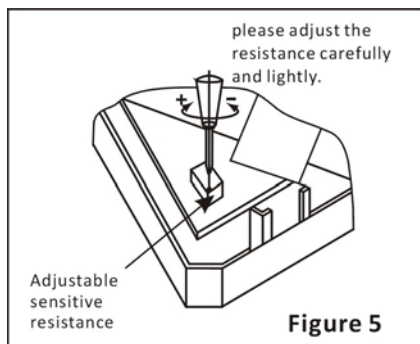
1. As shown in (Figure 2), remove two screws from the cover, follow directions ①&②, then remove the cover.
2. As shown in (Figure 3), drill 3 holes of 6mm diameter using the template provided.

3. Fix the base on the wall by using the plugs and screws provided (Figure 4).
4. For concealed wire installation: remove the original power cord, lead the prepared wire into the hand dryer through the base hole, and connect the wire to the wiring terminal N, L.
5. Following directions ③&④ in (Figure 2) put back the cover and replace the screws.



**Application:**

1. After finishing the installation, and switching on the power, and the hand dryer will switch on automatically when place hands underneath the air outlet.
2. The hand dryer blows the hot air when hands are 11cm or closer to the air outlet, and it stops working 1 second after removing hands. It will also stop working automatically after 1 minute consecutive use. To restart the hand dryer, put hands back underneath and the dryer will switch on again.
3. The sensitivity of the hand dryer is set at the highest value. If it operates for too long or does not work after installation, please adjust the sensor.





**INFORMATION ON WASTE DISPOSAL FOR CONSUMERS OF ELECTRICAL & ELECTRONIC EQUIPMENT.**

When this product has reached the end of its life it must be treated as Waste Electrical & Electronics Equipment (WEEE). Any WEEE marked products must not be mixed with general household waste, but kept separate for the treatment, recovery and recycling of the materials used. Contact your local authority for details of recycling schemes in your area.



For any enquiries regarding the product, please call 08447 88 00 88

PR2 9PP

Made In China