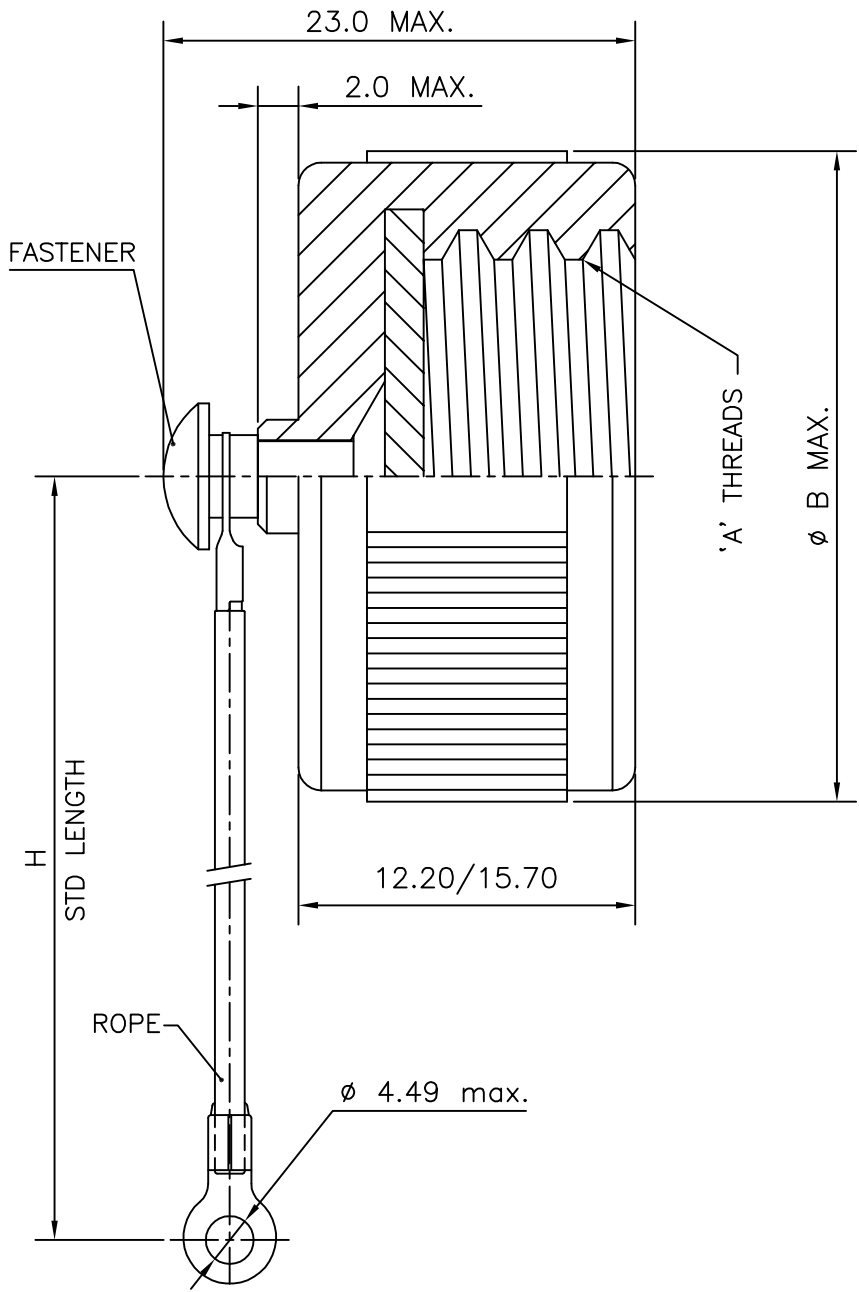
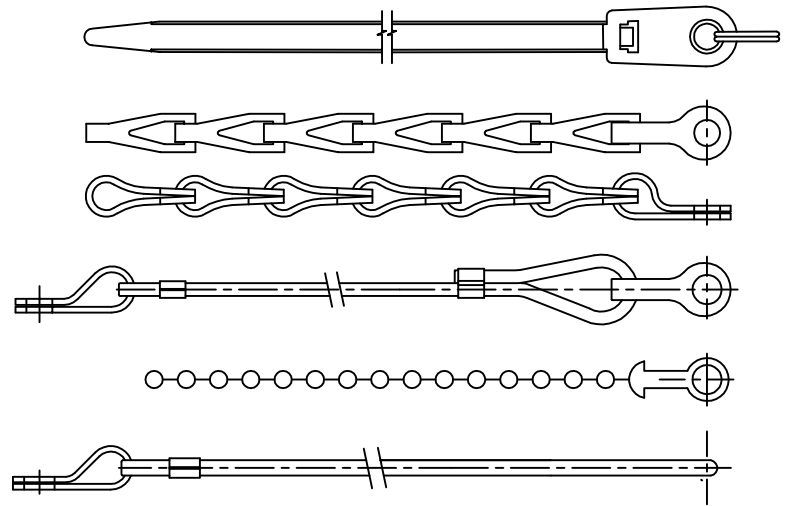


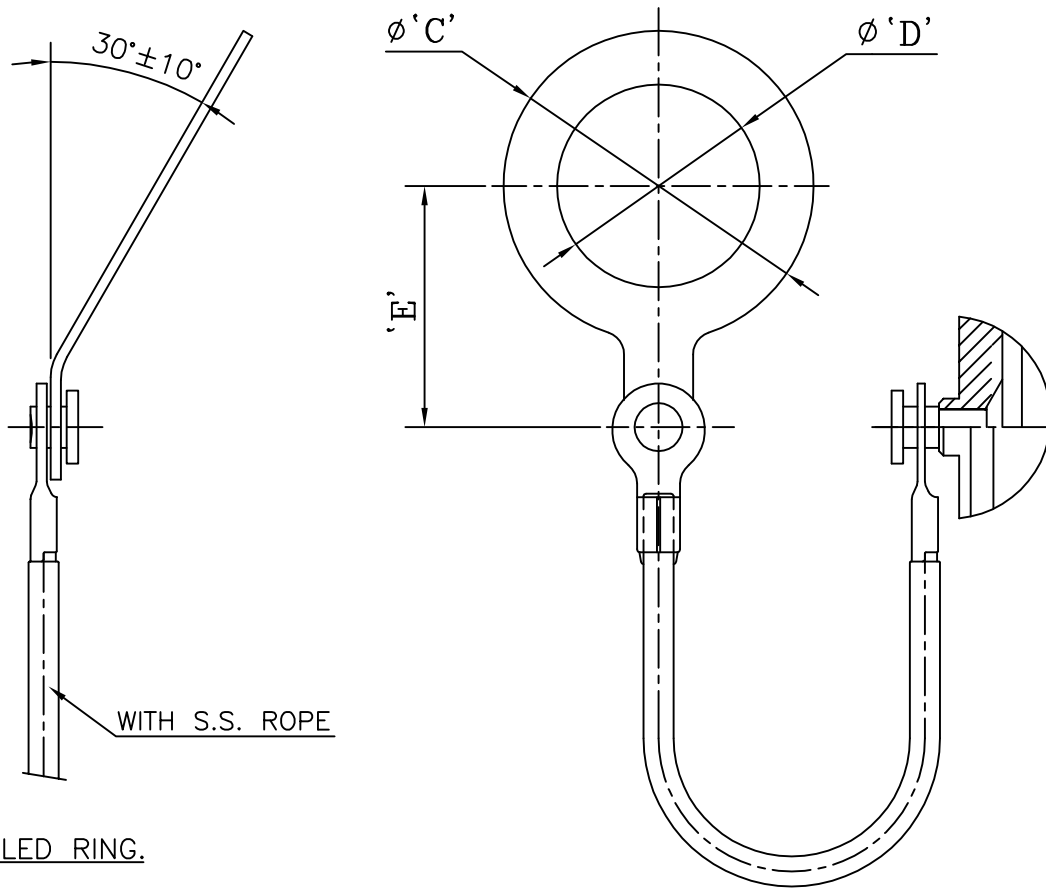
ISSUE NO.	ENG. REF. NO.	DATE	APP. BY
10	-	23/10/15	<i>C. S. Munkh</i>



- T - TIE-WRAP
- S-SASH CHAIN
- G-NYLON ROPE
- D-BEAD CHAIN
- Y-WITHOUT END LINK



AUTO-CAD REL-14	AMPHENOL Amphenol Interconnect India Pvt. Ltd. Pune 411026			TITLE METAL DUST CAP ASSY. FOR SER-III RECEPTACLE (09 TO 25)		
	QF-DEV-05 REV-NO. 02	2005	Name	Date	Dwg. Size	
	Drawn by	<i>R. Pawar</i>		11/11/05	A4	PSTD-10159
	Checked by	<i>C.S. Munkh</i>		11/11/05		
	App. by	<i>C.S. Munkh</i>		11/11/05		
						All Dimensions are in MM/ INCHES
						STANDARD
						Sheet 1 of 5



ANGLED RING.

SHELL SIZE	'A'-0.1P-0.3L T.S THREAD - 2B	'B' max dia	'C' max dia	'D' min dia	'E' max min.	'H' +13.0 -7.0
09	0.625"	23.0	27.0	17.64	21.0\18.0	127.0
11	0.750"	28.0	32.0	21.97	22.5\18.5	127.0
13	0.875"	31.0	37.0	25.12	25.0\23.5	127.0
15	1.000"	32.0	40.0	29.92	31.0\25.0	127.0
17	1.1875"	37.0	44.0	32.00	32.5\26.5	127.0
19	1.250"	39.0	46.0	36.27	34.0\28.0	127.0
21	1.375"	42.0	49.0	38.25	35.5\30.0	127.0
23	1.500"	45.0	54.0	42.62	37.5\31.5	127.0
25	1.625"	49.0	56.0	44.45	39.0\33.0	127.0

- Notes: 1) Dimensions are in mm, except "A threads" which are in inches.
 2) Method of attachment to cover and or ring is optional.

AUTO-CAD REL-14	AMPHENOL Amphenol Interconnect India Pvt. Ltd. Pune 411026			TITLE METAL DUST CAP ASSY. FOR SER-III RECEPTACLE (09 TO 25)		
	2005	Name	Date	Dwg. Size	Dwg. No.	
QF-DEV-05 REV-NO. 02	Drawn by	R. Pawar	11/11/05	A4	PSTD-10159	STANDARD
	Checked by	R.S. Kumar	11/11/05			
	App. by	C.S. Munkh	11/11/05	Sheet 2 of 5		

REQUIREMENTS:

MATERIAL :-

Cover : Machined Aluminium alloy

Gasket : Silicone elastomer.

Ring : Stainless steel, passivated.

Rope : Stainless steel teflon coated.

Insulation shall withstand 200°C environment.

Fastener : Stainless steel, passivated. Option: Aluminium integral to cover.

MATING CONNECTOR :- MIL-DTL-38999, series III. Recept.

(MILITARY PART NUMBER.)

ORDERING INFORMATION:

JAND38999/33 W 15 R

Designates Receptacle Dust Cover

Class:-

F - Electroless nickel finish.

W - Aluminium, 500 Hrs cadmium olive drab.

Z - Black Zinc Nickel finish.

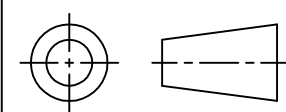
Shell Size : 09,11,13,15,17,19,21,23 & 25

Style:-

R - Rope

N - With rope & ring.

NOTE:- FOR NON STANDARD LONG 'L' CONTACT FACTORY.

AUTO-CAD REL-14	AMPHENOL Amphenol Interconnect India Pvt. Ltd. Pune 411026			TITLE <u>METAL DUST CAP ASSY. FOR</u> <u>SER-III RECEPTACLE (09 TO 25)</u>		
	QF-DEV-05 REV-NO. 02	2005	Name <i>R. Pawar</i>	Date 11/11/05	Dwg. Size A4	
	Drawn by	<i>R. Pawar</i>	11/11/05			STANDARD
	Checked by	<i>R.S. Kumar</i>	11/11/05			
	App. by	<i>C.S. Munkh</i>	11/11/05		Sheet 3 of 5	

(PROPRIETARY PART NUMBER.)

ORDERING INFORMATION:

ITV33 09 A F N H

Designates Receptacle Dust Cover

Shell Size : 09,11,13,15,17,19,21,23 & 25

Class

Aluminium

- A - Hard anodic
- B - Zinc Nickel finish.
- F - 48 Hrs. electroless nickel.
- T - PTFE Nickel Plating
- W - 500 Hrs cadmium olive drab.
- EB - Cad. free zinc cobalt-olive drab finish.
- FB - Cad. free zinc cobalt-Black finish.
- SD - Zinc Nickel finish (Black)

Composite

- * J - Composite, cadmium olive drab.
- * M - Composite electroless nickel.

- NB - Nickel Aluminium Bronze
- CD - S. Steel Passivated

Type of attachment:

- D - Bead chain passivated.
- F - Wire rope with teflon jacket.
- G - Nylon cord
- S - Sash chain passivated.
- X - None (small link)

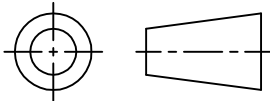
Type of end link:

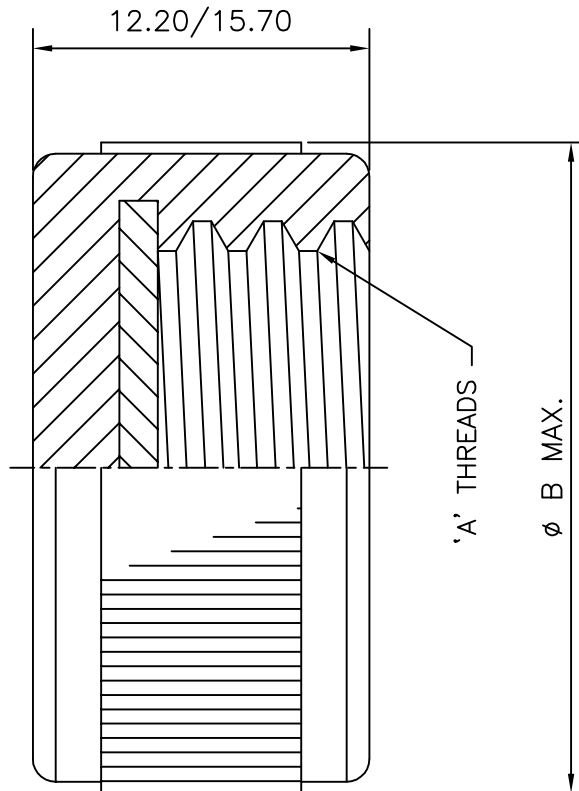
- N - Solid ring
- T - Tie wrap
- X - None (small link hole dia 4.49 mm max.)
- Y- Without End Link

Length of attachment:

- H - Standard length
- For non-standard 'H', length has to be specified in mm.

* Contact Factory.

AUTO-CAD REL-14	AMPHENOL Amphenol Interconnect India Pvt. Ltd. Pune 411026			TITLE METAL DUST CAP ASSY. FOR SER-III RECEPTACLE (09 TO 25)		
	QF-DEV-05 REV-NO. 02	2005 Drawn by <i>R. Pawar</i> Checked by <i>R.S. Kumar</i> App. by <i>C.S. Munkh</i>	Name <i>R. Pawar</i> <i>R.S. Kumar</i> <i>C.S. Munkh</i>	Date 11/11/05 11/11/05 11/11/05	Dwg. Size A4	Dwg. No. PSTD-10159 Sheet 4 of 5



REQUIREMENTS:

MATERIAL :

Cover : Machined Aluminium alloy

Gasket : Silicone elastomer.

MATING CONNECTOR: MIL-DTL-38999, series III. Recept.

Gasket shall be mechanically retained.

ORDERING INFORMATION:

ITV33 - 09 - A - V1

Designates receptacle cover

Shell size : 09,11,13,15,17,19,21,23 & 25

Class
 A - Hard anodic
 W - Aluminium, 500 Hrs cadmium olive drab.
 J - Composite, cadmium olive drab.
 M - Composite electroless nickel.
 F - Aluminium, 48 Hrs. electroless nickel.
 T - Nickel PTFE finish.

VARIANT

AUTO-CAD REL-14	AMPHENOL Amphenol Interconnect India Pvt. Ltd. Pune 411026			TITLE METAL DUST CAP ASSY. FOR SER-III RECEPTACLE (09 TO 25)		
	QF-DEV-05 REV-NO. 02	2005 Drawn by <i>R. Pawar</i> Checked by <i>R.S. Kumar</i> App. by <i>C.S. Munkh</i>	Name <i>R. Pawar</i> <i>R.S. Kumar</i> <i>C.S. Munkh</i>	Date 11/11/05 11/11/05 11/11/05	Dwg. Size A4	
						STANDARD