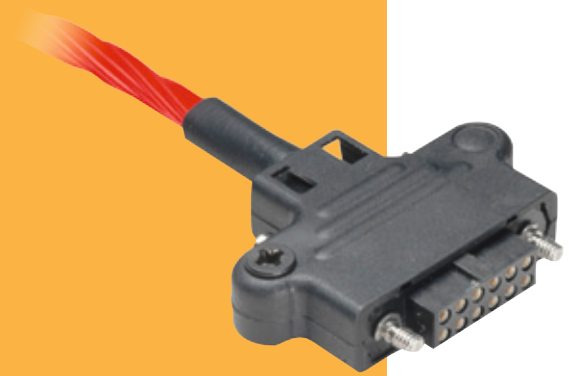


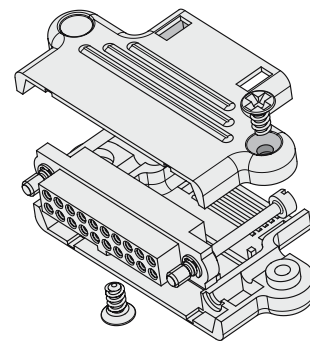
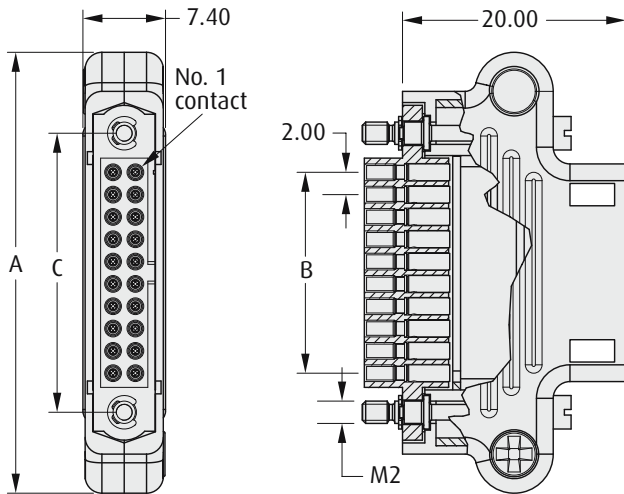
## Female Crimp with Hood

- ❖ Supplied as a complete kit, including hood, screws, connector, contacts and Jackscrews.
- ❖ For spare crimp contacts, see page 51.
- ❖ Provides strain relief by preventing cable bending at the rear of the connector, and also has the option of inserting a cable tie to reduce pull strain.
- ❖ Mates with male connectors shown on pages 52, 54, 56, 58, 60, 63 and 64.



DATAMATE J-TEK

### FEMALE



### TOOLS

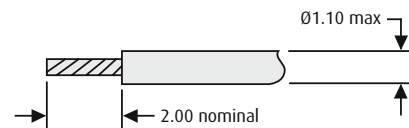
**Recommended Crimp Tool** - M22520/2-01  
**Positioner** - T5747

**Contact Insertion/Removal Tool** - Z80-280

See pages 87 to 89

❖ Instruction sheets available at [www.harwin.com/downloads/instructions](http://www.harwin.com/downloads/instructions)

### WIRE STRIPPING DETAILS



### CALCULATION

|          |                           |
|----------|---------------------------|
| <b>A</b> | $B + 21.5$                |
| <b>B</b> | Total no. of contacts - 2 |
| <b>C</b> | $B + 7$                   |

### HOW TO ORDER

**M80 - 94 X XX XX**

#### SERIES CODE

#### TYPE

|          |                     |
|----------|---------------------|
| <b>0</b> | Small Bore 24-28AWG |
| <b>1</b> | Large Bore 22AWG    |

#### FINISH

|           |            |  |
|-----------|------------|--|
| <b>05</b> | Gold       |  |
| <b>42</b> | Gold + Tin |  |

#### TOTAL NO. OF CONTACTS

**06, 08, 10, 12, 14, 20, 26, 34, 42, 50**

All dimensions in mm.