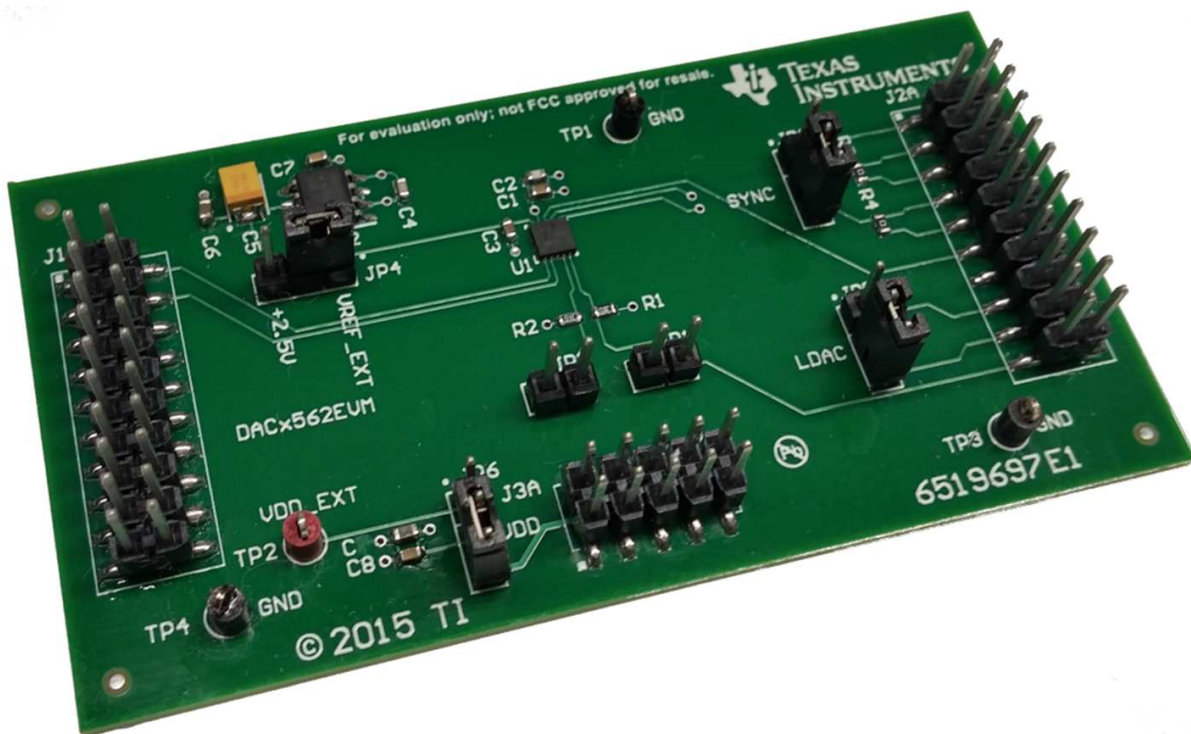


## DAC8562T Evaluation Module

This user's guide describes the characteristics, operation, and use of the DAC8562TEVM. The evaluation model (EVM) is an evaluation board for the DAC8562T. The DAC8562T is a low-power, buffered voltage-output, 16-bit, dual channel digital-to-analog converter (DAC) with an integrated reference. This converter is controlled through a serial peripheral interface (SPI) that can operate at clock rates of up to 50 MHz. Additionally, the EVM includes a 2.5-V external reference voltage, resulting in an output range from 0 V to 2.5 V. The EVM allows evaluation of all aspects of the device and allows user control over every pin on the DAC8562T. Complete circuit descriptions, schematic diagrams, and bill of material are included in this document.



**DAC8562TEVM**

The following related documents are available for download through the Texas Instruments web site at <http://www.ti.com>:

### EVM-Related Device Datasheets

Device	Literature Number
DAC8562T	<a href="#">SLAS719</a>
REF5025	<a href="#">SBOS410</a>

## Contents

1	EVM Overview .....	3
1.1	Features .....	3
1.2	Introduction .....	3
1.3	Power and Motherboard Requirements .....	3
1.4	EVM Default Hardware Setup .....	4
1.5	Questions and Support for This or Other Precision Data Converter EVMs .....	5
2	EVM Hardware .....	5
2.1	Hardware Interface .....	5
2.2	Digital Interface .....	5
2.3	Quick-Start .....	5
3	EVM Operation .....	6
3.1	DXP Software Installation .....	6
4	Schematic, PCB Layout, and Bill of Materials .....	7
4.1	Schematic .....	7
4.2	PCB Layout .....	8
4.3	Bill of Materials .....	9

## List of Figures

1	Default Jumper Settings for the DAC8562TEVM .....	4
2	EVM Software Link .....	6
3	DAC8562TEVM Schematic .....	7
4	PCB Layout .....	8

## List of Tables

1	Supply Voltage Ranges .....	3
2	Default Jumper Settings for the MMB0 Modular EVM Motherboard .....	4
3	Default Jumper Settings for the DAC8562TEVM .....	4
4	Hardware Description .....	5
5	Software Description .....	5
6	DAC8562TEVM Bill of Materials .....	9

## 1 EVM Overview

### 1.1 Features

The DAC8562TEVM has the following features:

- Full-featured evaluation board for the DAC8562T
- Onboard external reference selection
- Wide selection of digital and I/O voltages
- Hardware and software control logic
- Compatible with the TI Modular EVM Motherboard MMB0

This manual covers the operation of the DAC8562TEVM. The abbreviation EVM and the term evaluation module are synonymous with the DAC8562TEVM.

### 1.2 Introduction

The DAC8562T is a 16-bit, low-power, buffered voltage-output, dual channel digital-to-analog converter (DAC) that operates from a single 2.7-V to 5.5-V supply. The DAC is controlled through a serial peripheral interface (SPI) that can operate at clock rates of up to 50 MHz. The EVM is designed to highlight the features and the performance of the 16-bit DAC. Additionally, the EVM includes a 2.5-V external reference voltage, resulting in an output range from 0 V to 2.5 V.

The DAC8562TEVM is designed to give the user easy access to all pins on the DAC8562T. The evaluation module allows the user to control the DAC logic using onboard jumpers, or digitally through the J2 header. By default, the evaluation module is configured to be used with an onboard 2.5-V external reference, but can be easily modified to use the DAC internal reference by changing a jumper setting and enabling the internal reference using software.

### 1.3 Power and Motherboard Requirements

This DAC8562TEVM board can be used as a standalone board or as a daughter card to the MMB0 Modular EVM motherboard.

#### 1.3.1 Supply Voltage Ranges

[Table 1](#) lists the supply voltage ranges for the EVM.

**Table 1. Supply Voltage Ranges**

Signal	Range
VDD	+2.7 V to +5.5 V
VREF_VIN	+2.7 V to +15 V
VREF_EXT	0 V to VDD

#### 1.3.2 Motherboard Supply Mode

The MMB0 motherboard can supply the digital interface as well as the power supply voltage required by the DAC8562TEVM. This user's guide focuses on the motherboard supply mode and its software.

#### 1.3.3 Standalone Supply Mode

The DAC8562TEVM can also be used without a motherboard, provided that the digital interface is driven by an external source. The supply voltage must be applied at TP1/VDD according to the specifications in [Table 1](#).

The MMB0 can still be used as a digital interface while using an external power supply. Remember to disconnect any shunt from JP1.

### 1.3.4 Reference Voltage

The EVM includes an on-board reference as well as the option to provide an external reference voltage. JP9 chooses between the on-board reference and the external reference. TP1 can be used to measure the selected reference, which is the on-board reference by default.

## 1.4 EVM Default Hardware Setup

Table 2 lists the default jumper settings for the MMB0 modular EVM motherboard and Table 3 lists the default jumper settings for the DAC8562TEVM.

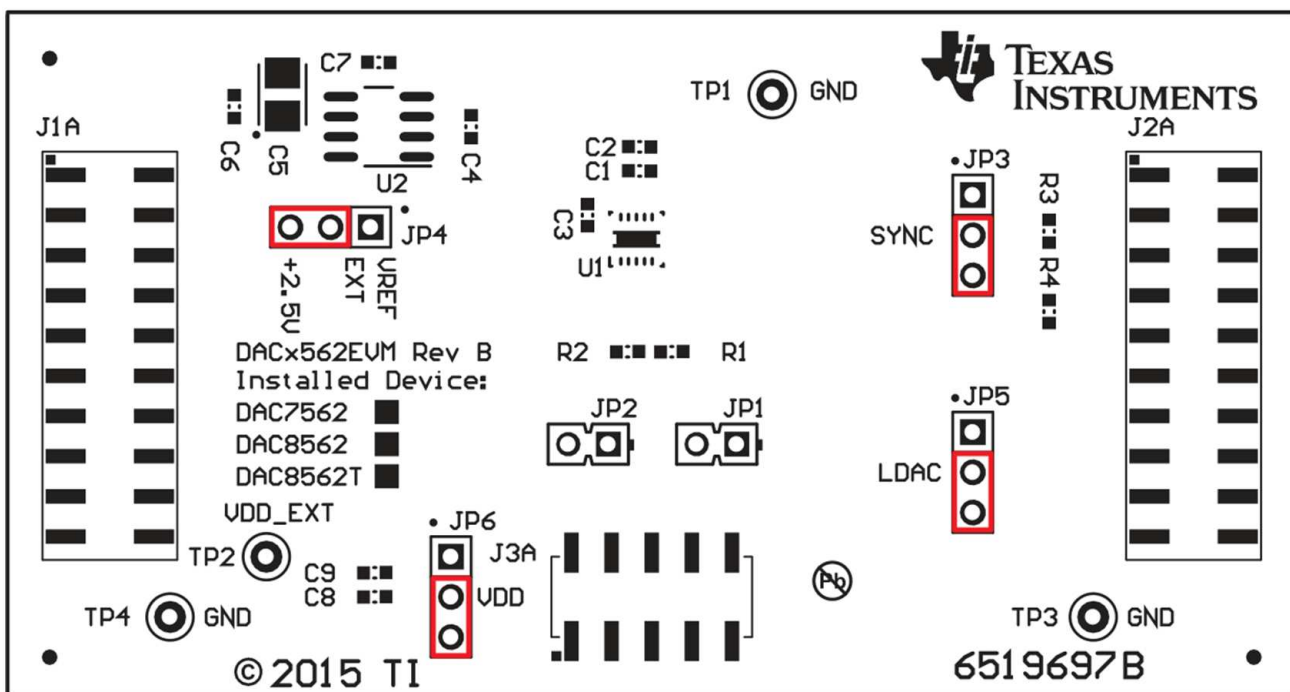
**Table 2. Default Jumper Settings for the MMB0 Modular EVM Motherboard**

Jumper	Position
J12	CLOSED
J13A	OPEN
J13B	CLOSED

**Table 3. Default Jumper Settings for the DAC8562TEVM**

Jumper	Position
JP1	OPEN
JP2	OPEN
JP3	2-3
JP4	2-3
JP5	2-3
JP6	2-3

Figure 1 illustrates the default jumper settings for the DAC8562TEVM.



**Figure 1. Default Jumper Settings for the DAC8562TEVM**

## 1.5 Questions and Support for This or Other Precision Data Converter EVMs

Join TI's E2E precision data converter support forum at [e2e.ti.com/support/data\\_converters/precision\\_data\\_converters](http://e2e.ti.com/support/data_converters/precision_data_converters)

Post your question in the forum and one of our experts will assist you.

## 2 EVM Hardware

This section provide descriptions of the hardware and digital interfaces, and a quick-start guide.

### 2.1 Hardware Interface

Table 4 provides hardware descriptions.

**Table 4. Hardware Description**

Jumper	Default Position	Description
JP1	OPEN	LDAC GND tie. Selects between an LDAC signal from J2A with a pullup resistor and GND.
JP2	OPEN	RST GND tie. Selects between a RST signal from J2A with a pullup resistor and GND.
JP3	2-3	SYNC selector. Selects the SYNC signal between J2.1 and J2.7.
JP4	1-2	VREF selector. Selects between the on-board reference and an external reference.
JP5	2-3	LDAC selector. Selects between an LDAC signal from J2A.15 and J2A.17.
JP5	2-3	VDD selector. Selects between 5VA on J3A.3 and an external supply from TP2/VDD_EXT.

---

**NOTE:** For more details, view the [Section 4.1](#).

---

### 2.2 Digital Interface

Some of the hardware options are also available using the DXP software when the jumpers are in their default positions.

**Table 5. Software Description**

Jumper	Default Position	Description
JP4	1-2	PD selector. Enables/disables the power-down mode.
JP5	1-2	DCEN selector. Enables/disables the Daisy Chain feature.
JP7	1-2	RST selector. Reset state selector.
JP8	1-2	RSTSEL selector. Selects the output state of the DAC after a RST has been asserted.

### 2.3 Quick-Start

This section explains a quick method to test the EVM's functionality without using a motherboard.

The minimum requirements are:

- An external source to provide the SPI master signals
- An external 5-V power supply
- A DC digital multimeter

Use the following steps:

1. Ensure that all of the jumpers are in their default position.
2. Ensure that all the power supplies are switched off.
3. Connect the power supply ground to any of the ground leads on the EVM board. (that is, TP1 and TP3).
4. Connect the SPI master ground to any of the ground leads on the EVM board.
5. Connect the DC DMM ground probe to any of the ground leads on the EVM board.
6. Connect 5 V to J3A.3.
7. Connect the DC DMM signal probe to J1A.2.
8. Power on the power supplies.
9. The DC DMM should display mid-scale 1.25 V. This means that the hardware setup is working.
  - If it does not, something may be wrong. Please check your connections and the jumper settings.
10. Send the SPI code 0x19FFFF using the DXP software.
11. The DC DMM should display full-scale 5 V. This means that your hardware and software setup are working.
  - If it does not, something may be wrong. Please check your digital interface implementation by looking at the digital signals on a signal analyzer or an oscilloscope.

### 3 EVM Operation

#### 3.1 DXP Software Installation

The DXP software required to use the DAC8562TEVM with the MMB0 must be downloaded from the Texas Instruments website, which is available at [www.ti.com/dxp](http://www.ti.com/dxp). The software is listed under the “Software” category in this product folder, as shown in [Figure 2](#).

<p><b>Description</b></p> <p>DAC Exerciser Program (DXP) is a software tool from Texas Instruments for evaluating DACs without the requirements of expensive pattern generators or writing complex software. When used with a Texas Instruments DAC EVM and a modular motherboard, it allows for simple and easy digital signal generation for the DAC to produce analog outputs for measurement and evaluation purposes.</p> <p><b>Features</b></p> <ul style="list-style-type: none"> <li>• Modular design allows additional EVMs to be supported</li> <li>• Graphical user interface provides easy setup to send signals to a DAC</li> </ul> <p><b>Free Evaluation Tool Description</b></p> <p>Software:</p> <p><a href="#">Download DXP Setup</a></p>
---

**Figure 2. EVM Software Link**

Once the download is complete, run the executable file and follow the installer instructions. After the DXP software installs, copy the DAC8562T.xml file into the “Devices” directory that the installer created. Typically located in ‘C:\Users\Public\Documents\DXP\Devices’. If you cannot find the “Devices” directory, go the DXP install directory, typically “C:\Program Files\DXP” and open the file “DXP.ini”. Locate the line that starts with “DXPDevices”; it will contain the location of the “Devices” directory.

## 4 Schematic, PCB Layout, and Bill of Materials

This section contains the [DAC8562TEVM schematic](#), [DAC8562TEVM PCB layout](#), and the [DAC8562TEVM BOM](#).

### 4.1 Schematic

Figure 3 illustrates the DAC8562TEVM schematic.

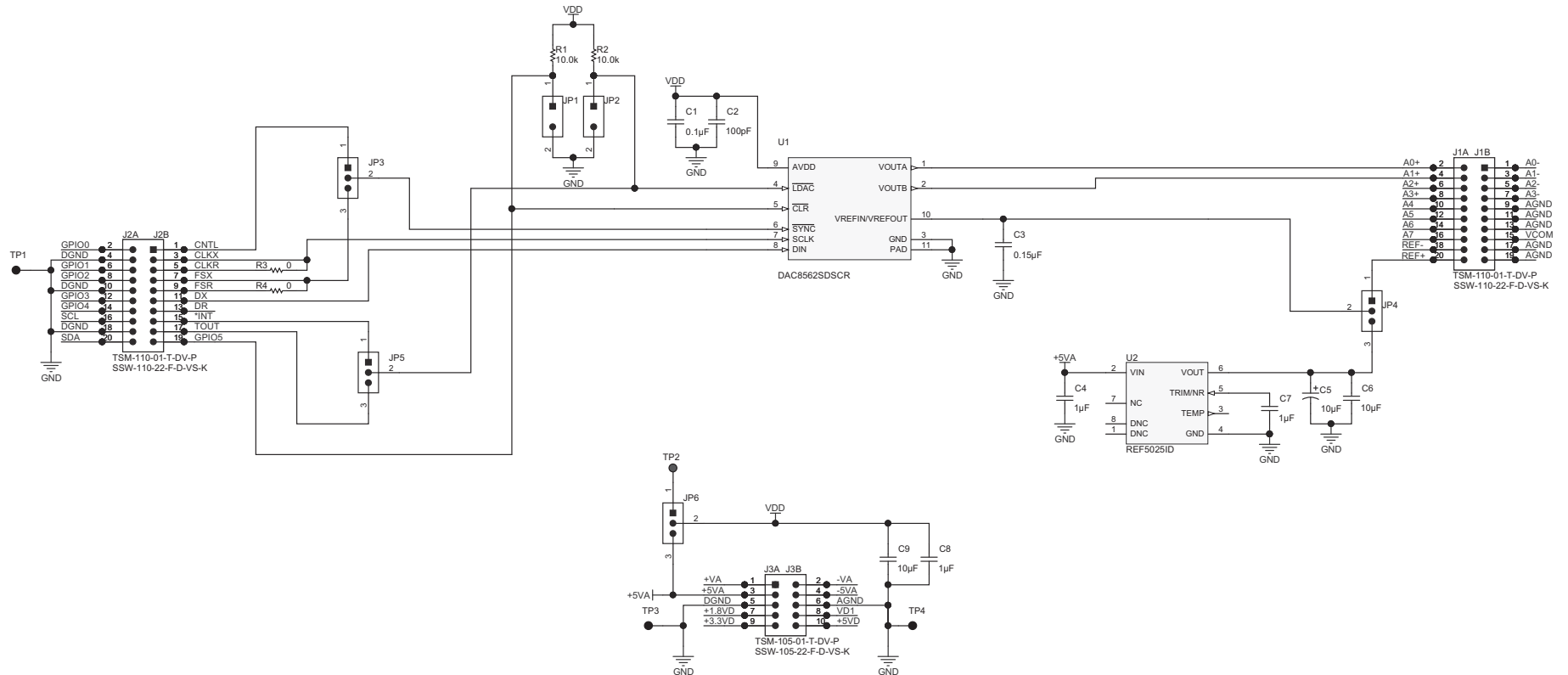


Figure 3. DAC8562TEVM Schematic

## 4.2 PCB Layout

Figure 4 shows the DAC8562TEVM PCB layout.

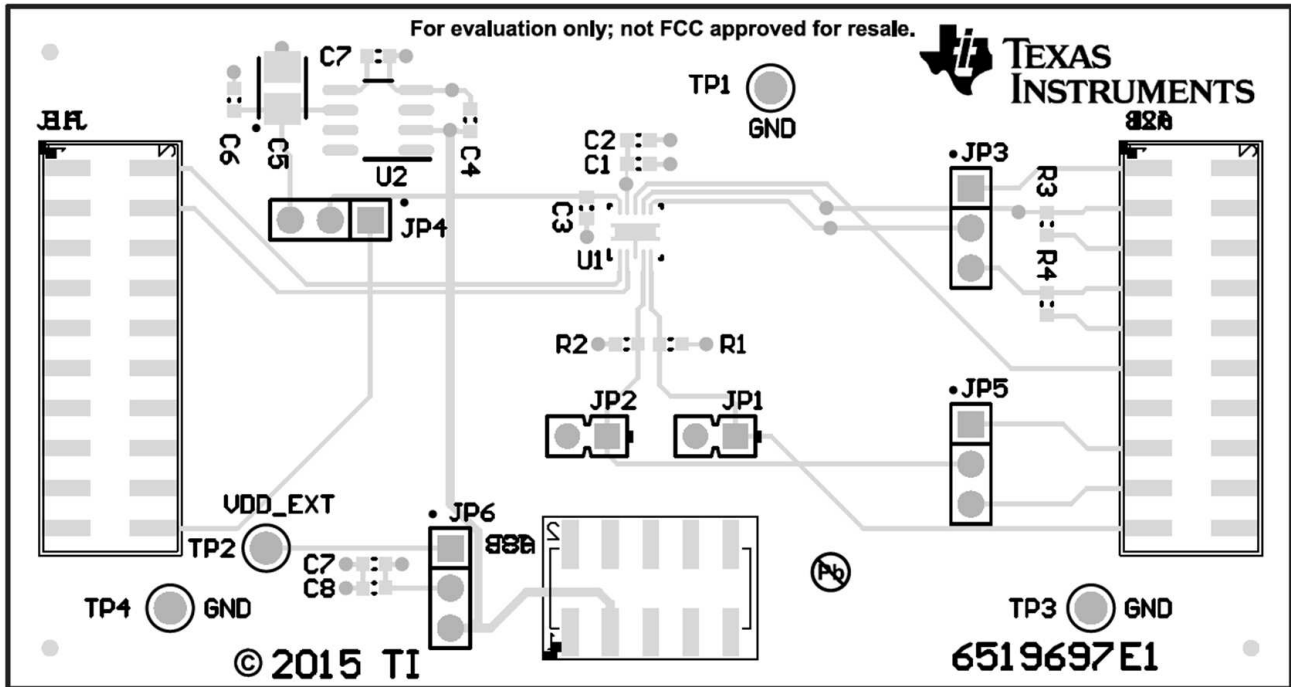


Figure 4. PCB Layout



### 4.3 Bill of Materials

Table 6 lists the BOM for the DAC8562TEVM.

**Table 6. DAC8562TEVM Bill of Materials**

Designator	Qty	Description	Manufacturer	Part Number
IPCB	1	Printed Circuit Board	Any	6519697
C1, C3, C9, C12	4	CAP, CERM, 1 $\mu$ F, 50 V, +/- 10%, X5R, 0603	Murata	GRM188R61H105KAALD
C2, C4, C10	3	CAP, CERM, 10 $\mu$ F, 25 V, +/- 10%, X5R, 0805	TDK	C2012X5R1E106K125AB
C5, C7	2	CAP, CERM, 100 pF, 100 V, +/- 5%, COG/NP0, 0603	Murata	GRM1885C2A101JA01D
C6, C8	2	CAP, CERM, 0.1 $\mu$ F, 50 V, +/- 10%, X7R, 0603	Murata	GRM188R71H104KA93D
C11	1	CAP, TA, 10 $\mu$ F, 16 V, +/- 10%, 0.8 ohm, SMD	AVX	TPSB106K016R0800
J1A, J2A	2	Header, 100mil, 10x2, SMD	Samtec, Inc.	TSM-110-01-T-DV-P
J1B, J2B	2	Connector, Receptacle, 100mil, 10x2, Gold plated, SMD	Samtec, Inc.	SSW-110-22-F-D-VS-K
J3A	1	Header, 100mil, 5x2, SMD	Samtec, Inc.	TSM-105-01-T-DV-P
J3B	1	Connector, Header, 10-Pos (10x2), Receptacle, 100x100-mil Pitch	Samtec, Inc.	SSW-105-22-F-D-VS-K
JP1, JP2, JP4, JP5, JP6, JP7, JP8, JP9	8	Header, 100mil, 3x1, Gold, TH	Samtec	TSW-103-07-G-S
JP3	1	Header, 100mil, 4x2, Gold, TH	Samtec	TSW-104-07-G-D
R1, R2, R3, R11, R12	5	RES, 0, 5%, 0.1 W, 0603	Vishay-Dale	CRCW06030000Z0EA
R4, R5, R6, R7	4	RES, 10.0 k, 1%, 0.1 W, 0603	Yageo America	RC0603FR-0710KL
R8, R9, R10	0	NI	Any	
TP1, TP4, TP5	3	Test Point, Miniature, Red, TH	Keystone	5000
TP2, TP3	2	Test Point, Miniature, Black, TH	Keystone	5001
U1	1	12-BIT OCTAL, ULTRALOW GLITCH, VOLTAGE OUTPUT DIGITAL-TO-ANALOG CONVERTER, RHB0032E	Texas Instruments	DAC8562TIRHBR
U2	1	Low-Noise, Very Low Drift, Precision VOLTAGE REFERENCE, 4.096V, D008A	Texas Instruments	REF5040AID

## STANDARD TERMS AND CONDITIONS FOR EVALUATION MODULES

1. *Delivery:* TI delivers TI evaluation boards, kits, or modules, including any accompanying demonstration software, components, or documentation (collectively, an "EVM" or "EVMs") to the User ("User") in accordance with the terms and conditions set forth herein. Acceptance of the EVM is expressly subject to the following terms and conditions.
  - 1.1 EVMs are intended solely for product or software developers for use in a research and development setting to facilitate feasibility evaluation, experimentation, or scientific analysis of TI semiconductor products. EVMs have no direct function and are not finished products. EVMs shall not be directly or indirectly assembled as a part or subassembly in any finished product. For clarification, any software or software tools provided with the EVM ("Software") shall not be subject to the terms and conditions set forth herein but rather shall be subject to the applicable terms and conditions that accompany such Software
  - 1.2 EVMs are not intended for consumer or household use. EVMs may not be sold, sublicensed, leased, rented, loaned, assigned, or otherwise distributed for commercial purposes by Users, in whole or in part, or used in any finished product or production system.
2. *Limited Warranty and Related Remedies/Disclaimers:*
  - 2.1 These terms and conditions do not apply to Software. The warranty, if any, for Software is covered in the applicable Software License Agreement.
  - 2.2 TI warrants that the TI EVM will conform to TI's published specifications for ninety (90) days after the date TI delivers such EVM to User. Notwithstanding the foregoing, TI shall not be liable for any defects that are caused by neglect, misuse or mistreatment by an entity other than TI, including improper installation or testing, or for any EVMs that have been altered or modified in any way by an entity other than TI. Moreover, TI shall not be liable for any defects that result from User's design, specifications or instructions for such EVMs. Testing and other quality control techniques are used to the extent TI deems necessary or as mandated by government requirements. TI does not test all parameters of each EVM.
  - 2.3 If any EVM fails to conform to the warranty set forth above, TI's sole liability shall be at its option to repair or replace such EVM, or credit User's account for such EVM. TI's liability under this warranty shall be limited to EVMs that are returned during the warranty period to the address designated by TI and that are determined by TI not to conform to such warranty. If TI elects to repair or replace such EVM, TI shall have a reasonable time to repair such EVM or provide replacements. Repaired EVMs shall be warranted for the remainder of the original warranty period. Replaced EVMs shall be warranted for a new full ninety (90) day warranty period.
3. *Regulatory Notices:*
  - 3.1 *United States*
    - 3.1.1 *Notice applicable to EVMs not FCC-Approved:*

This kit is designed to allow product developers to evaluate electronic components, circuitry, or software associated with the kit to determine whether to incorporate such items in a finished product and software developers to write software applications for use with the end product. This kit is not a finished product and when assembled may not be resold or otherwise marketed unless all required FCC equipment authorizations are first obtained. Operation is subject to the condition that this product not cause harmful interference to licensed radio stations and that this product accept harmful interference. Unless the assembled kit is designed to operate under part 15, part 18 or part 95 of this chapter, the operator of the kit must operate under the authority of an FCC license holder or must secure an experimental authorization under part 5 of this chapter.
    - 3.1.2 *For EVMs annotated as FCC – FEDERAL COMMUNICATIONS COMMISSION Part 15 Compliant:*

### CAUTION

This device complies with part 15 of the FCC Rules. Operation is subject to the following two conditions: (1) This device may not cause harmful interference, and (2) this device must accept any interference received, including interference that may cause undesired operation.

Changes or modifications not expressly approved by the party responsible for compliance could void the user's authority to operate the equipment.

### FCC Interference Statement for Class A EVM devices

*NOTE: This equipment has been tested and found to comply with the limits for a Class A digital device, pursuant to part 15 of the FCC Rules. These limits are designed to provide reasonable protection against harmful interference when the equipment is operated in a commercial environment. This equipment generates, uses, and can radiate radio frequency energy and, if not installed and used in accordance with the instruction manual, may cause harmful interference to radio communications. Operation of this equipment in a residential area is likely to cause harmful interference in which case the user will be required to correct the interference at his own expense.*

## FCC Interference Statement for Class B EVM devices

*NOTE: This equipment has been tested and found to comply with the limits for a Class B digital device, pursuant to part 15 of the FCC Rules. These limits are designed to provide reasonable protection against harmful interference in a residential installation. This equipment generates, uses and can radiate radio frequency energy and, if not installed and used in accordance with the instructions, may cause harmful interference to radio communications. However, there is no guarantee that interference will not occur in a particular installation. If this equipment does cause harmful interference to radio or television reception, which can be determined by turning the equipment off and on, the user is encouraged to try to correct the interference by one or more of the following measures:*

- Reorient or relocate the receiving antenna.
- Increase the separation between the equipment and receiver.
- Connect the equipment into an outlet on a circuit different from that to which the receiver is connected.
- Consult the dealer or an experienced radio/TV technician for help.

### 3.2 Canada

3.2.1 For EVMs issued with an Industry Canada Certificate of Conformance to RSS-210

#### Concerning EVMs Including Radio Transmitters:

This device complies with Industry Canada license-exempt RSS standard(s). Operation is subject to the following two conditions: (1) this device may not cause interference, and (2) this device must accept any interference, including interference that may cause undesired operation of the device.

#### Concernant les EVMs avec appareils radio:

Le présent appareil est conforme aux CNR d'Industrie Canada applicables aux appareils radio exempts de licence. L'exploitation est autorisée aux deux conditions suivantes: (1) l'appareil ne doit pas produire de brouillage, et (2) l'utilisateur de l'appareil doit accepter tout brouillage radioélectrique subi, même si le brouillage est susceptible d'en compromettre le fonctionnement.

#### Concerning EVMs Including Detachable Antennas:

Under Industry Canada regulations, this radio transmitter may only operate using an antenna of a type and maximum (or lesser) gain approved for the transmitter by Industry Canada. To reduce potential radio interference to other users, the antenna type and its gain should be so chosen that the equivalent isotropically radiated power (e.i.r.p.) is not more than that necessary for successful communication. This radio transmitter has been approved by Industry Canada to operate with the antenna types listed in the user guide with the maximum permissible gain and required antenna impedance for each antenna type indicated. Antenna types not included in this list, having a gain greater than the maximum gain indicated for that type, are strictly prohibited for use with this device.

#### Concernant les EVMs avec antennes détachables

Conformément à la réglementation d'Industrie Canada, le présent émetteur radio peut fonctionner avec une antenne d'un type et d'un gain maximal (ou inférieur) approuvé pour l'émetteur par Industrie Canada. Dans le but de réduire les risques de brouillage radioélectrique à l'intention des autres utilisateurs, il faut choisir le type d'antenne et son gain de sorte que la puissance isotrope rayonnée équivalente (p.i.r.e.) ne dépasse pas l'intensité nécessaire à l'établissement d'une communication satisfaisante. Le présent émetteur radio a été approuvé par Industrie Canada pour fonctionner avec les types d'antenne énumérés dans le manuel d'usage et ayant un gain admissible maximal et l'impédance requise pour chaque type d'antenne. Les types d'antenne non inclus dans cette liste, ou dont le gain est supérieur au gain maximal indiqué, sont strictement interdits pour l'exploitation de l'émetteur.

### 3.3 Japan

3.3.1 *Notice for EVMs delivered in Japan:* Please see [http://www.tij.co.jp/lstds/ti\\_ja/general/eStore/notice\\_01.page](http://www.tij.co.jp/lstds/ti_ja/general/eStore/notice_01.page) 日本国内に輸入される評価用キット、ボードについては、次のところをご覧ください。  
[http://www.tij.co.jp/lstds/ti\\_ja/general/eStore/notice\\_01.page](http://www.tij.co.jp/lstds/ti_ja/general/eStore/notice_01.page)

3.3.2 *Notice for Users of EVMs Considered "Radio Frequency Products" in Japan:* EVMs entering Japan may not be certified by TI as conforming to Technical Regulations of Radio Law of Japan.

If User uses EVMs in Japan, not certified to Technical Regulations of Radio Law of Japan, User is required by Radio Law of Japan to follow the instructions below with respect to EVMs:

1. Use EVMs in a shielded room or any other test facility as defined in the notification #173 issued by Ministry of Internal Affairs and Communications on March 28, 2006, based on Sub-section 1.1 of Article 6 of the Ministry's Rule for Enforcement of Radio Law of Japan,
2. Use EVMs only after User obtains the license of Test Radio Station as provided in Radio Law of Japan with respect to EVMs, or
3. Use of EVMs only after User obtains the Technical Regulations Conformity Certification as provided in Radio Law of Japan with respect to EVMs. Also, do not transfer EVMs, unless User gives the same notice above to the transferee. Please note that if User does not follow the instructions above, User will be subject to penalties of Radio Law of Japan.

【無線電波を送信する製品の開発キットをお使いになる際の注意事項】 開発キットの中には技術基準適合証明を受けていないものがあります。技術適合証明を受けていないもののご使用に際しては、電波法遵守のため、以下のいずれかの措置を取っていただく必要がありますのでご注意ください。

1. 電波法施行規則第6条第1項第1号に基づく平成18年3月28日総務省告示第173号で定められた電波暗室等の試験設備でご使用いただく。
2. 実験局の免許を取得後ご使用いただく。
3. 技術基準適合証明を取得後ご使用いただく。

なお、本製品は、上記の「ご使用にあたっての注意」を譲渡先、移転先に通知しない限り、譲渡、移転できないものとします。

上記を遵守頂けない場合は、電波法の罰則が適用される可能性があることをご留意ください。日本テキサス・インスツルメンツ株式会社  
東京都新宿区西新宿 6 丁目 2 4 番 1 号  
西新宿三井ビル

3.3.3 *Notice for EVMs for Power Line Communication:* Please see [http://www.tij.co.jp/llds/ti\\_ja/general/eStore/notice\\_02.page](http://www.tij.co.jp/llds/ti_ja/general/eStore/notice_02.page)  
電力線搬送波通信についての開発キットをお使いになる際の注意事項については、次のところをご覧ください。[http://www.tij.co.jp/llds/ti\\_ja/general/eStore/notice\\_02.page](http://www.tij.co.jp/llds/ti_ja/general/eStore/notice_02.page)

#### 4 *EVM Use Restrictions and Warnings:*

4.1 EVMS ARE NOT FOR USE IN FUNCTIONAL SAFETY AND/OR SAFETY CRITICAL EVALUATIONS, INCLUDING BUT NOT LIMITED TO EVALUATIONS OF LIFE SUPPORT APPLICATIONS.

4.2 User must read and apply the user guide and other available documentation provided by TI regarding the EVM prior to handling or using the EVM, including without limitation any warning or restriction notices. The notices contain important safety information related to, for example, temperatures and voltages.

#### 4.3 *Safety-Related Warnings and Restrictions:*

4.3.1 User shall operate the EVM within TI's recommended specifications and environmental considerations stated in the user guide, other available documentation provided by TI, and any other applicable requirements and employ reasonable and customary safeguards. Exceeding the specified performance ratings and specifications (including but not limited to input and output voltage, current, power, and environmental ranges) for the EVM may cause personal injury or death, or property damage. If there are questions concerning performance ratings and specifications, User should contact a TI field representative prior to connecting interface electronics including input power and intended loads. Any loads applied outside of the specified output range may also result in unintended and/or inaccurate operation and/or possible permanent damage to the EVM and/or interface electronics. Please consult the EVM user guide prior to connecting any load to the EVM output. If there is uncertainty as to the load specification, please contact a TI field representative. During normal operation, even with the inputs and outputs kept within the specified allowable ranges, some circuit components may have elevated case temperatures. These components include but are not limited to linear regulators, switching transistors, pass transistors, current sense resistors, and heat sinks, which can be identified using the information in the associated documentation. When working with the EVM, please be aware that the EVM may become very warm.

4.3.2 EVMs are intended solely for use by technically qualified, professional electronics experts who are familiar with the dangers and application risks associated with handling electrical mechanical components, systems, and subsystems. User assumes all responsibility and liability for proper and safe handling and use of the EVM by User or its employees, affiliates, contractors or designees. User assumes all responsibility and liability to ensure that any interfaces (electronic and/or mechanical) between the EVM and any human body are designed with suitable isolation and means to safely limit accessible leakage currents to minimize the risk of electrical shock hazard. User assumes all responsibility and liability for any improper or unsafe handling or use of the EVM by User or its employees, affiliates, contractors or designees.

4.4 User assumes all responsibility and liability to determine whether the EVM is subject to any applicable international, federal, state, or local laws and regulations related to User's handling and use of the EVM and, if applicable, User assumes all responsibility and liability for compliance in all respects with such laws and regulations. User assumes all responsibility and liability for proper disposal and recycling of the EVM consistent with all applicable international, federal, state, and local requirements.

5. *Accuracy of Information:* To the extent TI provides information on the availability and function of EVMs, TI attempts to be as accurate as possible. However, TI does not warrant the accuracy of EVM descriptions, EVM availability or other information on its websites as accurate, complete, reliable, current, or error-free.

6. *Disclaimers:*

6.1 EXCEPT AS SET FORTH ABOVE, EVMS AND ANY WRITTEN DESIGN MATERIALS PROVIDED WITH THE EVM (AND THE DESIGN OF THE EVM ITSELF) ARE PROVIDED "AS IS" AND "WITH ALL FAULTS." TI DISCLAIMS ALL OTHER WARRANTIES, EXPRESS OR IMPLIED, REGARDING SUCH ITEMS, INCLUDING BUT NOT LIMITED TO ANY IMPLIED WARRANTIES OF MERCHANTABILITY OR FITNESS FOR A PARTICULAR PURPOSE OR NON-INFRINGEMENT OF ANY THIRD PARTY PATENTS, COPYRIGHTS, TRADE SECRETS OR OTHER INTELLECTUAL PROPERTY RIGHTS.

6.2 EXCEPT FOR THE LIMITED RIGHT TO USE THE EVM SET FORTH HEREIN, NOTHING IN THESE TERMS AND CONDITIONS SHALL BE CONSTRUED AS GRANTING OR CONFERRING ANY RIGHTS BY LICENSE, PATENT, OR ANY OTHER INDUSTRIAL OR INTELLECTUAL PROPERTY RIGHT OF TI, ITS SUPPLIERS/LICENSORS OR ANY OTHER THIRD PARTY, TO USE THE EVM IN ANY FINISHED END-USER OR READY-TO-USE FINAL PRODUCT, OR FOR ANY INVENTION, DISCOVERY OR IMPROVEMENT MADE, CONCEIVED OR ACQUIRED PRIOR TO OR AFTER DELIVERY OF THE EVM.

7. *USER'S INDEMNITY OBLIGATIONS AND REPRESENTATIONS.* USER WILL DEFEND, INDEMNIFY AND HOLD TI, ITS LICENSORS AND THEIR REPRESENTATIVES HARMLESS FROM AND AGAINST ANY AND ALL CLAIMS, DAMAGES, LOSSES, EXPENSES, COSTS AND LIABILITIES (COLLECTIVELY, "CLAIMS") ARISING OUT OF OR IN CONNECTION WITH ANY HANDLING OR USE OF THE EVM THAT IS NOT IN ACCORDANCE WITH THESE TERMS AND CONDITIONS. THIS OBLIGATION SHALL APPLY WHETHER CLAIMS ARISE UNDER STATUTE, REGULATION, OR THE LAW OF TORT, CONTRACT OR ANY OTHER LEGAL THEORY, AND EVEN IF THE EVM FAILS TO PERFORM AS DESCRIBED OR EXPECTED.

8. *Limitations on Damages and Liability:*

8.1 *General Limitations.* IN NO EVENT SHALL TI BE LIABLE FOR ANY SPECIAL, COLLATERAL, INDIRECT, PUNITIVE, INCIDENTAL, CONSEQUENTIAL, OR EXEMPLARY DAMAGES IN CONNECTION WITH OR ARISING OUT OF THESE TERMS AND CONDITIONS OR THE USE OF THE EVMS PROVIDED HEREUNDER, REGARDLESS OF WHETHER TI HAS BEEN ADVISED OF THE POSSIBILITY OF SUCH DAMAGES. EXCLUDED DAMAGES INCLUDE, BUT ARE NOT LIMITED TO, COST OF REMOVAL OR REINSTALLATION, ANCILLARY COSTS TO THE PROCUREMENT OF SUBSTITUTE GOODS OR SERVICES, RETESTING, OUTSIDE COMPUTER TIME, LABOR COSTS, LOSS OF GOODWILL, LOSS OF PROFITS, LOSS OF SAVINGS, LOSS OF USE, LOSS OF DATA, OR BUSINESS INTERRUPTION. NO CLAIM, SUIT OR ACTION SHALL BE BROUGHT AGAINST TI MORE THAN ONE YEAR AFTER THE RELATED CAUSE OF ACTION HAS OCCURRED.

8.2 *Specific Limitations.* IN NO EVENT SHALL TI'S AGGREGATE LIABILITY FROM ANY WARRANTY OR OTHER OBLIGATION ARISING OUT OF OR IN CONNECTION WITH THESE TERMS AND CONDITIONS, OR ANY USE OF ANY TI EVM PROVIDED HEREUNDER, EXCEED THE TOTAL AMOUNT PAID TO TI FOR THE PARTICULAR UNITS SOLD UNDER THESE TERMS AND CONDITIONS WITH RESPECT TO WHICH LOSSES OR DAMAGES ARE CLAIMED. THE EXISTENCE OF MORE THAN ONE CLAIM AGAINST THE PARTICULAR UNITS SOLD TO USER UNDER THESE TERMS AND CONDITIONS SHALL NOT ENLARGE OR EXTEND THIS LIMIT.

9. *Return Policy.* Except as otherwise provided, TI does not offer any refunds, returns, or exchanges. Furthermore, no return of EVM(s) will be accepted if the package has been opened and no return of the EVM(s) will be accepted if they are damaged or otherwise not in a resalable condition. If User feels it has been incorrectly charged for the EVM(s) it ordered or that delivery violates the applicable order, User should contact TI. All refunds will be made in full within thirty (30) working days from the return of the components(s), excluding any postage or packaging costs.

10. *Governing Law:* These terms and conditions shall be governed by and interpreted in accordance with the laws of the State of Texas, without reference to conflict-of-laws principles. User agrees that non-exclusive jurisdiction for any dispute arising out of or relating to these terms and conditions lies within courts located in the State of Texas and consents to venue in Dallas County, Texas. Notwithstanding the foregoing, any judgment may be enforced in any United States or foreign court, and TI may seek injunctive relief in any United States or foreign court.

## IMPORTANT NOTICE

Texas Instruments Incorporated and its subsidiaries (TI) reserve the right to make corrections, enhancements, improvements and other changes to its semiconductor products and services per JESD46, latest issue, and to discontinue any product or service per JESD48, latest issue. Buyers should obtain the latest relevant information before placing orders and should verify that such information is current and complete. All semiconductor products (also referred to herein as "components") are sold subject to TI's terms and conditions of sale supplied at the time of order acknowledgment.

TI warrants performance of its components to the specifications applicable at the time of sale, in accordance with the warranty in TI's terms and conditions of sale of semiconductor products. Testing and other quality control techniques are used to the extent TI deems necessary to support this warranty. Except where mandated by applicable law, testing of all parameters of each component is not necessarily performed.

TI assumes no liability for applications assistance or the design of Buyers' products. Buyers are responsible for their products and applications using TI components. To minimize the risks associated with Buyers' products and applications, Buyers should provide adequate design and operating safeguards.

TI does not warrant or represent that any license, either express or implied, is granted under any patent right, copyright, mask work right, or other intellectual property right relating to any combination, machine, or process in which TI components or services are used. Information published by TI regarding third-party products or services does not constitute a license to use such products or services or a warranty or endorsement thereof. Use of such information may require a license from a third party under the patents or other intellectual property of the third party, or a license from TI under the patents or other intellectual property of TI.

Reproduction of significant portions of TI information in TI data books or data sheets is permissible only if reproduction is without alteration and is accompanied by all associated warranties, conditions, limitations, and notices. TI is not responsible or liable for such altered documentation. Information of third parties may be subject to additional restrictions.

Resale of TI components or services with statements different from or beyond the parameters stated by TI for that component or service voids all express and any implied warranties for the associated TI component or service and is an unfair and deceptive business practice. TI is not responsible or liable for any such statements.

Buyer acknowledges and agrees that it is solely responsible for compliance with all legal, regulatory and safety-related requirements concerning its products, and any use of TI components in its applications, notwithstanding any applications-related information or support that may be provided by TI. Buyer represents and agrees that it has all the necessary expertise to create and implement safeguards which anticipate dangerous consequences of failures, monitor failures and their consequences, lessen the likelihood of failures that might cause harm and take appropriate remedial actions. Buyer will fully indemnify TI and its representatives against any damages arising out of the use of any TI components in safety-critical applications.

In some cases, TI components may be promoted specifically to facilitate safety-related applications. With such components, TI's goal is to help enable customers to design and create their own end-product solutions that meet applicable functional safety standards and requirements. Nonetheless, such components are subject to these terms.

No TI components are authorized for use in FDA Class III (or similar life-critical medical equipment) unless authorized officers of the parties have executed a special agreement specifically governing such use.

Only those TI components which TI has specifically designated as military grade or "enhanced plastic" are designed and intended for use in military/aerospace applications or environments. Buyer acknowledges and agrees that any military or aerospace use of TI components which have **not** been so designated is solely at the Buyer's risk, and that Buyer is solely responsible for compliance with all legal and regulatory requirements in connection with such use.

TI has specifically designated certain components as meeting ISO/TS16949 requirements, mainly for automotive use. In any case of use of non-designated products, TI will not be responsible for any failure to meet ISO/TS16949.

### Products

Audio	<a href="http://www.ti.com/audio">www.ti.com/audio</a>
Amplifiers	<a href="http://amplifier.ti.com">amplifier.ti.com</a>
Data Converters	<a href="http://dataconverter.ti.com">dataconverter.ti.com</a>
DLP® Products	<a href="http://www.dlp.com">www.dlp.com</a>
DSP	<a href="http://dsp.ti.com">dsp.ti.com</a>
Clocks and Timers	<a href="http://www.ti.com/clocks">www.ti.com/clocks</a>
Interface	<a href="http://interface.ti.com">interface.ti.com</a>
Logic	<a href="http://logic.ti.com">logic.ti.com</a>
Power Mgmt	<a href="http://power.ti.com">power.ti.com</a>
Microcontrollers	<a href="http://microcontroller.ti.com">microcontroller.ti.com</a>
RFID	<a href="http://www.ti-rfid.com">www.ti-rfid.com</a>
OMAP Applications Processors	<a href="http://www.ti.com/omap">www.ti.com/omap</a>
Wireless Connectivity	<a href="http://www.ti.com/wirelessconnectivity">www.ti.com/wirelessconnectivity</a>

### Applications

Automotive and Transportation	<a href="http://www.ti.com/automotive">www.ti.com/automotive</a>
Communications and Telecom	<a href="http://www.ti.com/communications">www.ti.com/communications</a>
Computers and Peripherals	<a href="http://www.ti.com/computers">www.ti.com/computers</a>
Consumer Electronics	<a href="http://www.ti.com/consumer-apps">www.ti.com/consumer-apps</a>
Energy and Lighting	<a href="http://www.ti.com/energy">www.ti.com/energy</a>
Industrial	<a href="http://www.ti.com/industrial">www.ti.com/industrial</a>
Medical	<a href="http://www.ti.com/medical">www.ti.com/medical</a>
Security	<a href="http://www.ti.com/security">www.ti.com/security</a>
Space, Avionics and Defense	<a href="http://www.ti.com/space-avionics-defense">www.ti.com/space-avionics-defense</a>
Video and Imaging	<a href="http://www.ti.com/video">www.ti.com/video</a>

### TI E2E Community

[e2e.ti.com](http://e2e.ti.com)