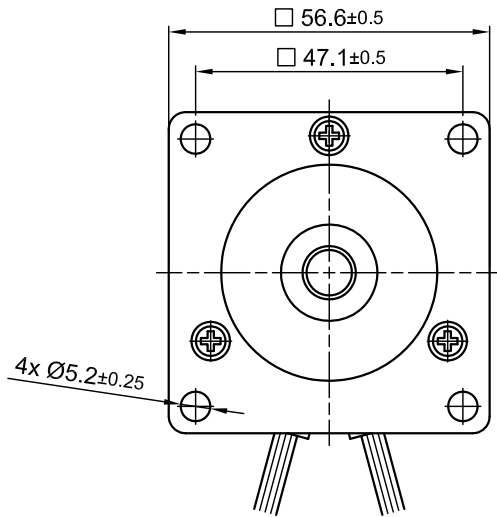
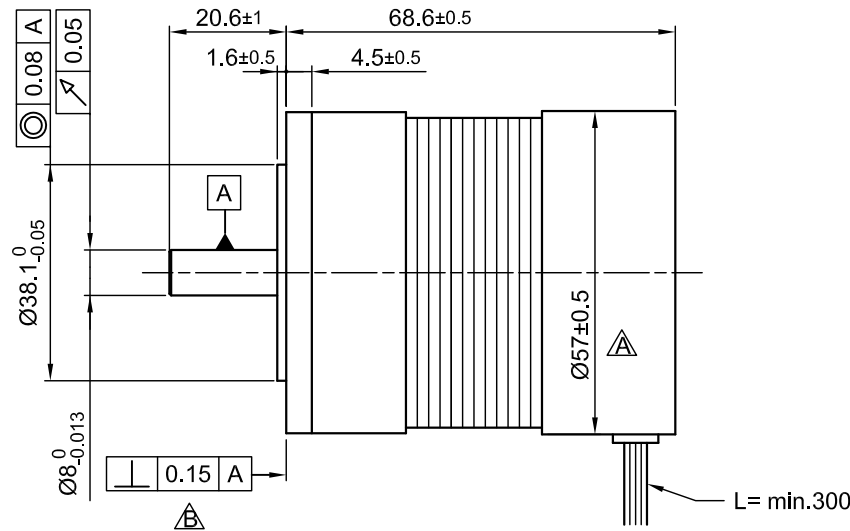


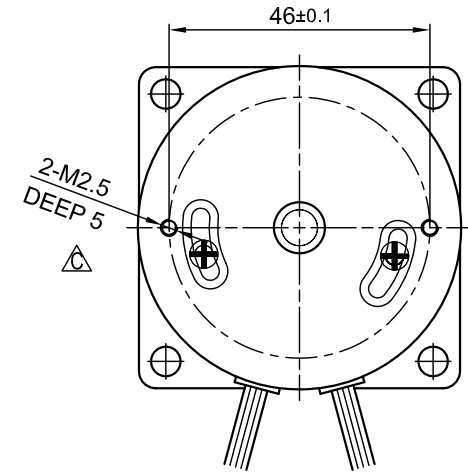
Front view and mounting



Side view

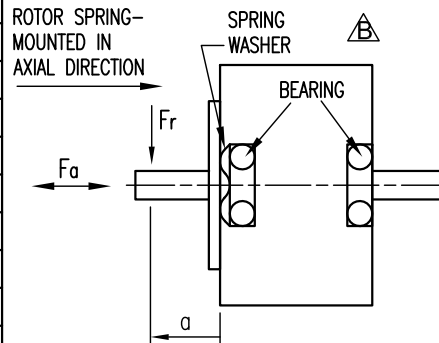


Rear view



SPECIFICATION	CONNECTION	STAR
NO. OF POL./PHASE		6/3
VOLTAGE RATED (VDC)		24
CURRENT RATED/PEAK (AMP)		8/ 24
RESISTANCE/PHASE TO PHASE (Ohms) @20°C		0.24 ±10%
INDUCTANCE/PHASE TO PHASE (mH) @1KHz		0.29 ±20%
TORQUE RATED/PEAK (Nm) [lb-in]		0.37/1.11 [3.27/9.82]
TORQUE CONSTANT (Nm/A)/BACK-EMF (Vrms/kRPM)		0.046/ 3.8
POWER RATED (W)		135
SPEED RATED/NO LOAD (RPM)		3500/5000
ROTOR INERTIA (Kg-m ²) [lb-in ²]		10.5x10 ⁻⁶ [0.0358]
WEIGHT (Kg) [lb]		0.65 [1.43]

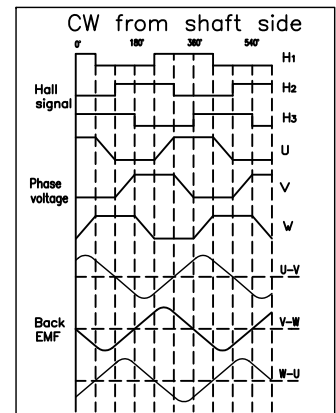
PERMISSIBLE RADIAL+AXIAL FORCE



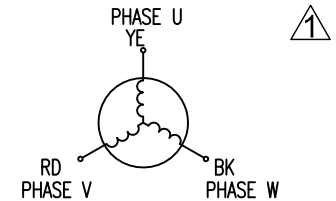
AXIAL-FORCE Fa (N)	Fr=15	
DISTANCE a (mm)	20	
RADIAL-FORCE Fr (N)	75	
	AXIAL	RADIAL
SHAFT PLAY (mm)	0.025	0.025
AT LOAD MAX: (N)	40	4.6

WIRING DIAGRAM

	COLOR	FUNCTION	LEAD GAUGE
MOTOR 6 POL.	YE	U	UL1332 AWG18
	RD	V	
	BK	W	
HALL 18 IMPL. REV.	RD	+5V	UL1430 AWG26
	BU	H1	
	GN	H2	
	WH	H3	
	BK	GND	



STAR CONNECTION



REV	DESCRIPTION	DATE	APVD
C	CHANGE VIEW	21.02.14	J.D.
B	CHG. RECT.+SPRING WASHER	17.01.14	J.D.
1	CORR. HALL ASSIGNM.	13.06.14	J.D.



DB59M024035-A

SCALE FREE	APVD	G.S.	26.09.13
DIN ISO 2768-m	CHKD		
	DRN	A.S.	26.09.13
	SIGNATURE	DATE	

BRUSHLESS DC MOTOR

DWG.NO

DB59M024035-A