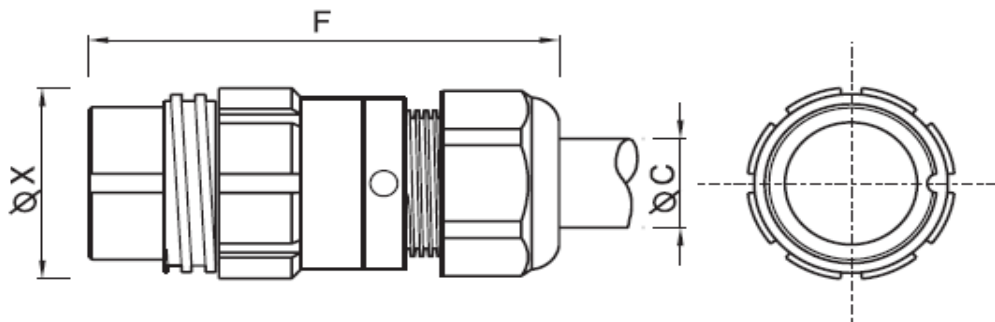
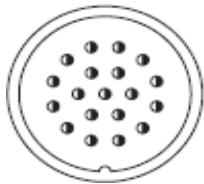


**CPC Part Number: CN01654**
**CEEP Part No: 9201419AR0SB20**
**19 x 25A Solder Contacts, 400V Constant, 1,750V Peak. IP67 (Waterproof) When mated**


Key	mm
X	57
F	91.5
C	14-25

**Technical Data**

<b>Connector Type:</b>	Circular Series 92	<b>Current Rating:</b>	19 x 25A
<b>Plan-form:</b>	419AR, 19 Pin	<b>Voltage Rating:</b>	400V
<b>Gender:</b>	Female Socket	<b>Peak Voltage:</b>	1,750
<b>Termination Method:</b>	Solder	<b>Max Wire Area Size:</b>	19 x 5.1mm <sup>2</sup>
<b>Contact Material:</b>	Copper Alloy	<b>Contact Resistance:</b>	5mΩ
<b>Contact Plating:</b>	Gold over Nickel	<b>IP Rating:</b>	IP67
<b>Shell Material:</b>	Aluminium Alloy	<b>Min Cable Diameter:</b>	14mm
<b>Shell Plating:</b>	Black anodised (non conductive)	<b>Max Cable Diameter:</b>	25mm
<b>Insulator Material:</b>	Thermoestable	<b>Min Operating Temperature:</b>	-40°C
<b>Termination Method:</b>	Screw Lock	<b>Max Operating Temperature:</b>	+85°C

**Mating Parts (visit [www.ceep.co.uk](http://www.ceep.co.uk) for more options)**
**Male panel mount connector**
**CPC Part No: CN01656**
**CEEP Part No: 9209419AR0P020**
**Accessories (visit [www.ceep.co.uk](http://www.ceep.co.uk) for more options)**
**IP67 Waterproof cap**
**CPC Part Number: CN17685**
**CEEP Part No: 92T0240S20**

CC070514