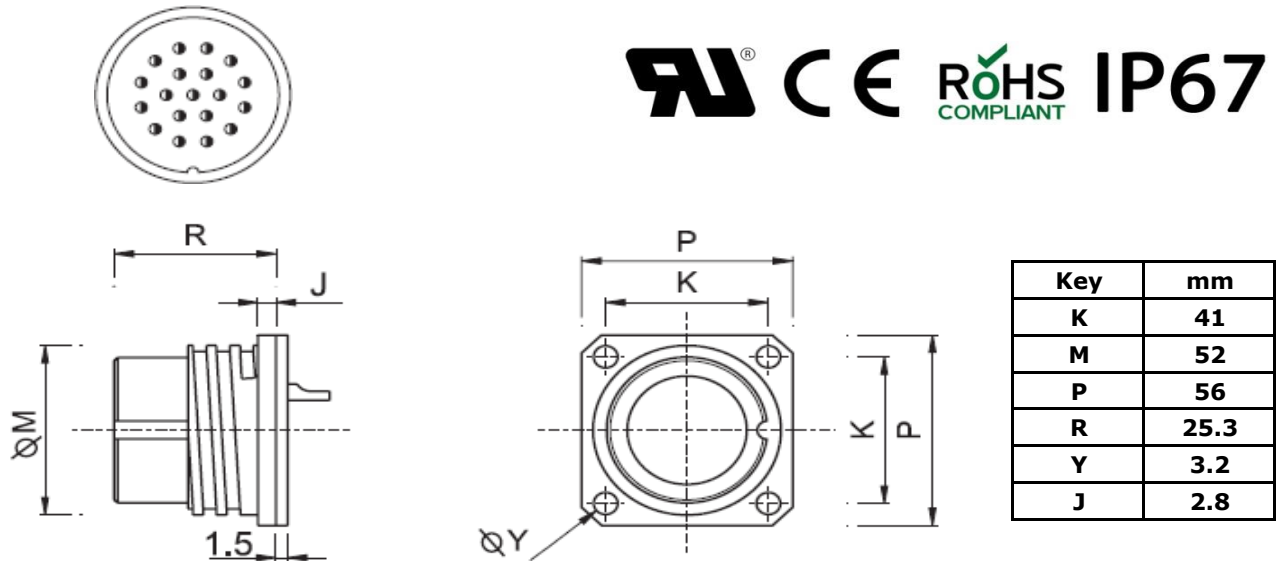


CPC Part Number: CN01655
CEEP Part No: 9202419AR0S020
19 x 25A Solder Contacts, 400V Constant, 1,750V Peak. IP67 (Waterproof) When mated

Technical Data

Connector Type:	Circular Series 92	Current Rating:	19 x 25A
Plan-form:	419AR, 19 Pin	Voltage Rating:	400V
Gender:	Female Socket	Peak Voltage:	1,750
Termination Method:	Solder	Max Wire Area Size:	19 x 5.1mm ²
Contact Material:	Copper Alloy	Contact Resistance:	5mΩ
Contact Plating:	Gold over Nickel	IP Rating:	IP67
Shell Material:	Aluminium Alloy	Min Operating Temperature:	-40°C
Shell Plating:	Black anodised (non conductive)	Max Operating Temperature:	+85°C
Insulator Material:	Thermoestable	Termination Method:	Screw Lock

Mating Parts (visit www.ceep.co.uk for more options)
Male inline cable connector with coupling nut
CPC Part No: CN01653
CEEP Part No: 9206419AR0PB20
Accessories (visit www.ceep.co.uk for more options)
IP67 Waterproof cap
CPC Part Number: CN17685
CEEP Part No: 92T0240S20

CC070514