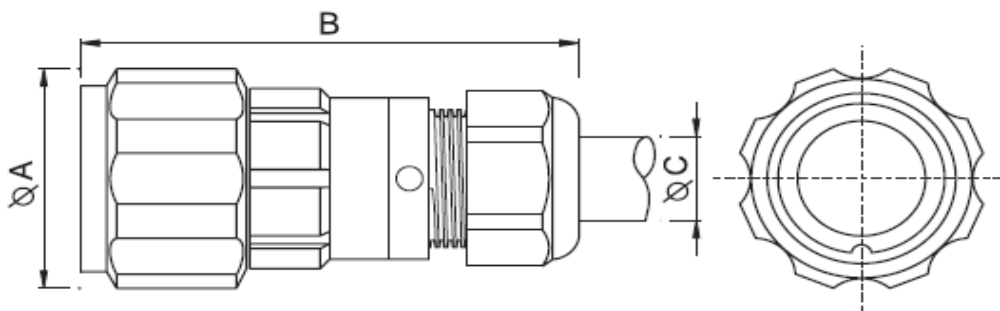
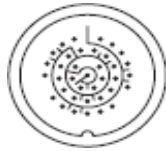


CPC Part Number: CN01657
CEEP Part No: 9206337P00PC20
37 x 7.5A Solder Contacts, 170V Constant, 2,100V Peak. IP67 (Waterproof) When mated


Key	mm
A	64.5
B	86.5
C	11-20

Technical Data

Connector Type:	Circular Series 92	Current Rating:	37 x 7.5A
Plan-form:	337P, 37 Pin	Voltage Rating:	170V
Gender:	Male Plug	Peak Voltage:	2,100
Termination Method:	Solder	Max Wire Area Size:	37 x 0.75mm ²
Contact Material:	Copper Alloy	Contact Resistance:	5mΩ
Contact Plating:	Gold over Nickel	IP Rating:	IP67
Shell Material:	Aluminium Alloy	Min Cable Diameter:	11mm
Shell Plating:	Black anodised (non conductive)	Max Cable Diameter:	20mm
Insulator Material:	Neoprene	Min Operating Temperature:	-40°C
Termination Method:	Screw Lock	Max Operating Temperature:	+85°C

Mating Parts (visit www.ceep.co.uk for more options)
Female panel mount connector
CPC Part No: CN01659
CEEP Part No: 9202337P00S020
Accessories (visit www.ceep.co.uk for more options)
IP67 Waterproof cap
CPC Part Number: Please contact us
CEEP Part No: 92T0630P20

CC070514