

Technical Characteristics

Includes	Switch and Operating Mechanism
Terminal Type	Lugs
Type	T
Catalog Reference Number	9420CT9701
Ampere Rating	60A
Approvals	UL Recognized File: E52639 CCN WHTY2 - CSA Certified File: LR44199 Class: 4652 04
Maximum Voltage Rating	600VAC
Application	Designed for control panel installations
Mounting Type	Flange
Fuse Clip Amperes	60A@600V
Fuse Type	Class H, K, J and R
Horsepower Rating	15HP@200/230VAC - 30HP@460VAC - 50HP@575VAC - 10HP@250VDC(max)

Shipping and Ordering

Category	21732 - Disconnect Switches, Flange Mounted
Discount Schedule	CP1
Article Number	785901879879
Package Quantity	1
Weight	6.21 lbs.
Availability Code	Stock Item: This item is normally stocked in our distribution facility.
Returnability	Y

As standards, specifications, and designs change from time to time, please ask for confirmation of the information given in this document.

Flange Mounted, Variable Depth, and Cable Operated Disconnect Switches

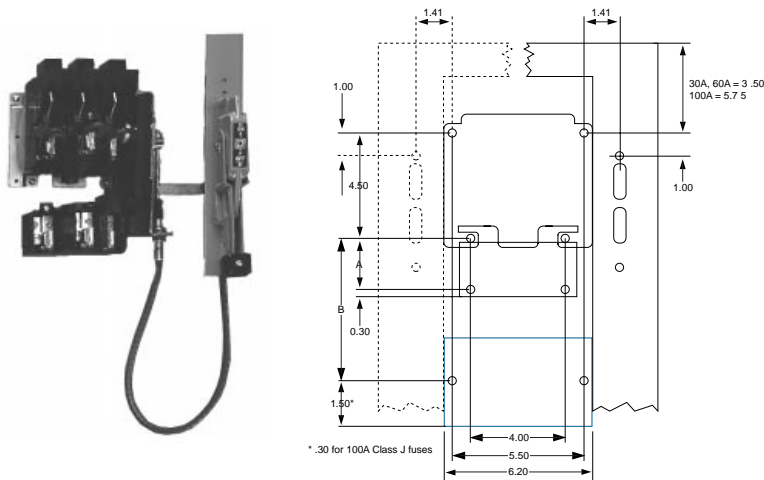
Class 9422

Square D
www.squared.com
FOR CURRENT INFORMATION

The Class 9422 Type TCF, TCN, TDF, TDN, TEF, TEN disconnect switches were designed for control panel installations. These switches include common switch profile 30–100 A, interchangeable fuse clips 30–60 A, ability to add fuse clip kits and cable mechanisms. They are compatible with 9422A and 9423, and are UL recognized and CSA certified.

Disconnect Switch Size	Variable Depth Mtg. Range Min.-Max. (inches)	Maximum Horsepower Ratings					Fuse Type	Fuse Clip Rating (Amperes) Non-Interchangeable Type For Class H, J, K or R Fuses Only		Switch and Operating Mechanism Only — Does Not Include Handle Mechanism		Switch and Operating Mechanism and Handle Mechanism — Overpacked			
		AC Systems Volts (Motor Volts)				DC Using 2 Poles 250 V Maximum		250 V	600 V	Type	Price	Includes Type A1 Handle Mechanism		Includes Type A2 Handle Mechanism	
		208 (200)	240 (230)	480 (460)	600 (575)							Type	Price	Type	Price
30 A	6 ⁵ / ₈ "–18"	7.5	7.5	15	20	5	None	—	—	TCN30	\$ 146.00	ATCN301	\$ 209.00	ATCN302	\$ 260.00
							H, K, J, R	30	—	TCF30	165.00	ATCF301	228.00	ATCF302	279.00
								60	30	TCF33	177.00	ATCF331	241.00	ATCF332	293.00
60 A	6 ⁵ / ₈ "–18"	15	15	30	50	10	None	—	—	TDN60	171.00	ATDN601	234.00	ATDN602	285.00
							H, K, J, R	60	30	TDF60	203.00	ATDF601	266.00	ATDF602	317.00
								—	60	TDF63	215.00	ATDF631	279.00	ATDF632	329.00
100 A	6 ⁵ / ₈ "–18"	25	30	60	75	20	None	—	—	TEN10	253.00	ATEN101	317.00	ATEN102	367.00
							H, K, J, R	100	100	TEF10	348.00	ATEF101	411.00	ATEF102	462.00

See 9422 TF and TG on Page 7-12



Class 9422 Replacement/Retrofit Fuse Clip Kits

Disconnect Switch Size	Switch Type	Fuse Type	Fuse Clip Rating (Amps)		Line and Load Fuse Clip Kit (includes load base and fusepullers)	
			250 V	600 V	Type	Price
30 A	TCF30 TCN30 TCF33	H, K, J, R	30	—	TC30	\$ 19.00
			60	30	TC33	31.70
60 A	TDN60	H, K, J, R	60	30	TC33	31.70
				60	TD63	44.30

Class R Fuse Clip Kits

Disconnect Switch Size	Switch Type	Fuse Type	Fuse Clip Rating (AIR)		Rejection Feature — Class R Kit	
			250 V	600 V	Type	Price
30 A	TCF30	R	30	—	RFK03	\$ 15.50
			60	30	RFK06	16.20
60 A	TDF60	R	60	30	RFK06	16.20
				60	RFK06H	16.20
100 A	TEF10	R	100	100	RFK10	30.30

- ▼ No Class Number required.
- Discount Schedule DE1, not CP1.

Class 9422 Disconnect Switch Cable Operators (must purchase switch separately)

Disconnect Switch Size	Switch Types	Cable Mechanisms ▲			Cable Mechanisms with A1 Handle for Types 1, 3, 3R, 12	
		Cable Length	Type	Price	Type	Price
30 A, 60 A, 100 A	TCF, TCN TDF, TDN TEF, TEN	36"	CFT30	\$ 121.00	CFT31	\$ 185.00
		48"	CFT40	129.00	—	—
		60"	CFT50	129.00	CFT51	192.00
		120"	CFT10	148.00	CFT11	211.00

▲ Must purchase handle mechanism separately (9422, A1, A2, A3 or A4).

Dimensions

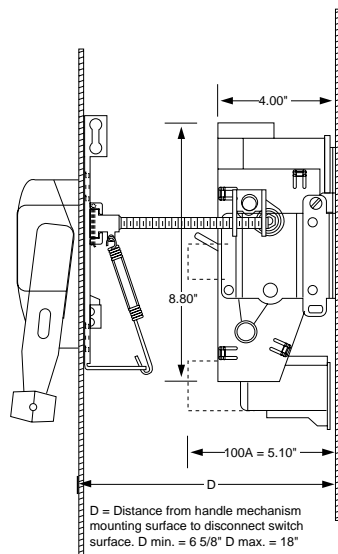
Switch Type	Maximum Voltage	Fuse Type Class	Dimension A	Dimension B
30 A, 60 A	30 A, 250 V	H, K, R	1.625	
	30 A, 600 V	H, K, R	4.25	
	30 A, 600 V	J	1.625	
	60 A, 250 V	H, K, R	2.25	
	60 A, 600 V	H, K, R	4.75	
	60 A, 600 V	J	1.625	
100 A	100 A, 250 V	H, K, R		3.25
	100 A, 600 V	H, K, R		5.25
	100 A, 600 V	J		3.25

Class 9999 Electrical Interlocks

Disconnect Switch Size	Switch Types	Electrical Interlock	
		Type	Price
30 A 60 A 100 A	TCF, TCN TDF, TDN TEF, TEN	SPDT*	TC10 \$ 53.00
		DPDT■	TC20 106.00
	BTCF, BTCN BTDF, BTDN BTEF, BTEN	SPDT*	TC11 53.00
		DPDT■	TC21 106.00

- * 1 N.C. or 1 N.O. depending on wiring.
- 2 N.C., 2 N.O. or 1 N.O., 1 N.C. depending on wiring.

7 OPERATING MECHANISMS AND DISCONNECT SWITCHES



For additional information, reference Catalog Number 9420CT9701 or D-FAX™ Number 1501.

