



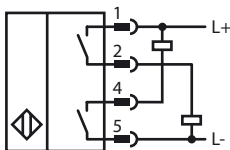
**Model Number**

**NJ2-PD-E02-2.062-V95**  
Cylinder Position Switch

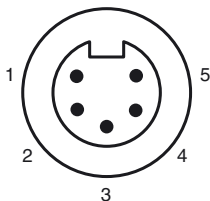
**Features**

- 4-wire DC
- Weld Immune
- Sensing range 2 mm
- 3000 psi rating

**Connection**



**Pinout**



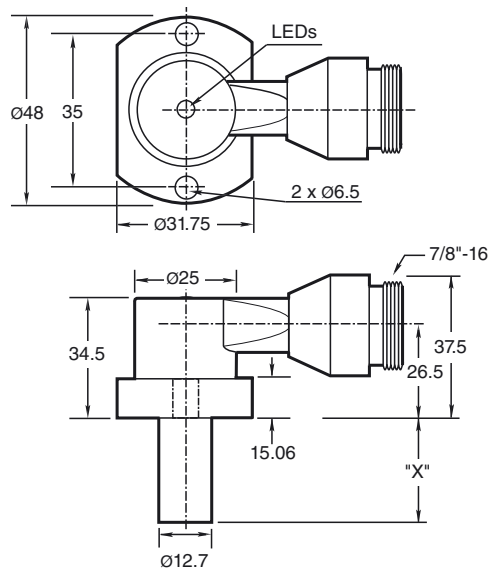
Wire colors

1	WH
2	RD
4	OR
5	BK

**Accessories**

**V95-G-YE2M-STOOW**  
Female connector, 7/8" - 16 UNF, 5-pin, PUR cable

**Dimensions**

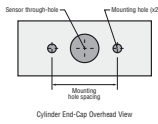


**Technical Data**

General specifications		
Switching element function		NPN & PNP, NO
Rated operating distance	$s_n$	2 mm
Installation		flush
Output polarity		DC
Assured operating distance	$s_a$	0 ... 1.62 mm
Reduction factor $r_{AI}$		0.4
Reduction factor $r_{304}$		0.85
Nominal ratings		
Operating voltage	$U_B$	10 ... 30 V DC
Switching frequency	$f$	30 Hz
Hysteresis	$H$	10 ... 20 typ. 15 %
Reverse polarity protection		yes
Short-circuit protection		yes
Voltage drop	$U_d$	$\leq 2$ V DC
Operating current	$I_L$	$\leq 200$ mA
Off-state current	$I_r$	$\leq 100$ $\mu$ A
No-load supply current	$I_0$	$\leq 35$ mA
Mag. Field strength, AC fields		250 mT
Mag. Field strength, DC fields		100 mT
Limit data		
Operating pressure dynamically		3000 psi
Indicators/operating means		
LED green		Power on
LED yellow		Output status
Standard conformity		
Standards		EN 60947-5-2
Ambient conditions		
Ambient temperature		-25 ... 70 °C (-13 ... 158 °F)
Mechanical specifications		
Connection type		Device connector 7/8"-16 UN , 5-pin
Protection degree		IP67
Material		Housing: zinc Probe: aluminum
Note		X = 2.062 in (52.4 mm)
Approvals and certificates		
UL approval		cULus Listed, General Purpose
CSA approval		cCSAus Listed, General Purpose

Release date: 2013-01-21 09:49 Date of issue: 2013-01-21 904490\_eng.xml

**NPT Type Mounting Holes:**  
 1000 and 3000 psi NPT Types:  
 Mounting hole screw thread  
 shall be 1/4" - 20.  
 Minimum thread engagement  
 depth is 0.250" (6.35 mm)  
 Hole spacing is 35 mm  
 center to center.



**Mounting Screws:**  
 Standard 1000 and 3000 psi  
 models use two, self-locking 1/4"- 20 socket head cap  
 screws (provided).  
 Recommended tightening torque: 150 in lb (16.95 N-m).

**⚠ Important:** When using spacers, make  
 certain to maintain the 0.250" (6.35 mm) minimum  
 mounting screw thread engagement.