

# UL 508 rotary style motor disconnects, 16...80 A

## 1 Snap-on poles

OT16...40	<b>OTPS40FPN1</b>	4th pole <sup>1)</sup>
	<b>OTPL40FP</b>	Late-break/Early-make
	<b>OTPN40FP</b>	Solid neutral
	<b>OTPD40FP</b>	Detachable neutral
	<b>OTPE40FP</b>	Ground terminal
OT63...80	<b>OTPS80FP</b>	4th pole
	<b>OTPL80FP</b>	Late-break/Early-make
	<b>OTPN80FP</b>	Solid neutral
	<b>OTPD80FP</b>	Detachable neutral
	<b>OTPE80FP</b>	Ground terminal

<sup>1)</sup> Left-side mounting only, OTPS40FPN2 for right-side mounting

## 2 Handles<sup>5)</sup>

Selector type OT16...80	<b>OHBS1AH1</b>	NEMA type; Length; Details 1
	<b>OHBS3AH1</b>	1; Padlockable
	<b>OHBS2AJ1</b>	3R,12; Padlockable
	<b>OHBS2AJ</b>	3R,12; Padlockable; Defeatable
Pistol type <sup>6)</sup> OT16...80	<b>OHB65J6</b>	3R,12; 65 mm
	<b>OHB65L6</b>	4,4X; 65 mm
	<b>OHB65J6EH</b>	3R,12; 65 mm; Stainless steel hasp
	<b>OHB65L6EH</b>	4,4X; 65 mm; Stainless steel hasp
Direct <sup>7)</sup> OT16...40	<b>OHB65L6</b>	4,4X; 65 mm; Stainless steel
	<b>OHBS12</b>	Black; Padlockable
Direct <sup>7)</sup> OT63...80	<b>OHBS2</b>	Black; Padlockable

<sup>5)</sup> Red/yellow versions by substituting OHB with OHY

<sup>6)</sup> All defeatable & padlockable with 3 locks

<sup>7)</sup> No shaft needed, Red versions OHRS12 and OHRS2

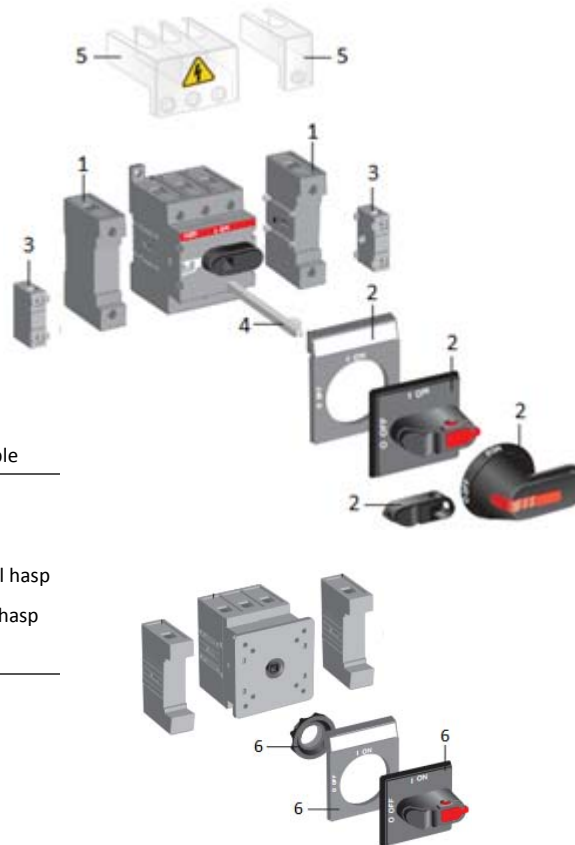
## 3 Auxiliaries

OT16-80	<b>OA1G01</b>	1 N.C. <sup>2)</sup>
	<b>OA1G10</b>	1 N.O. <sup>3)</sup>
	<b>OA2G11</b>	1 N.O. & 1 N.C. <sup>4)</sup>

<sup>2)</sup> Left-side mounting only

<sup>3)</sup> Right-side mounting only

<sup>4)</sup> Cannot be mounted on snap-on poles



## 4 Shafts

For selector handles OT16...80	<b>OXS6X85</b>	Shaft length 3.3"/85 mm
	<b>OXS6X105</b>	4.1"/105 mm
	<b>OXS6X120</b>	4.7"/120 mm
	<b>OXS6X130</b>	5.1"/130 mm
	<b>OXS6X180</b>	7.1"/180 mm
For pistol handles OT16...80	<b>OXS6X250</b>	9.8"/250 mm
	<b>OMP6X130</b>	5.2"/130 mm
	<b>OMP6X150</b>	5.9"/150 mm
	<b>OMP6X210</b>	8.3"/210 mm
	<b>OMP6X290</b>	11.4"/290 mm

## 5 Terminal shrouds<sup>8)</sup>

OT16...40	<b>OTS40T3</b>	1 pc for 3 terminals
	<b>OTS40T1</b>	1 pc for 1 snap-on pole
OT63...80	<b>OTS63T3</b>	1 pc for 3 terminals
	<b>OTS63T1</b>	1 pc for 1 snap-on pole

<sup>8)</sup> OT16...80 are IP20 touchsafe, shrouds provide extra protection

## 6 Handles for door-mount disconnects<sup>9)</sup>

Selector type <sup>10)</sup> OT16...40_T	<b>OHBS1PH</b>	Nema 1
	<b>OHBS3PH</b>	Nema 1; Padlockable
	<b>OHBS2PJ</b>	Nema 3R,12; Padlockable
Selector type <sup>11)</sup> OT16...80_T	<b>OHBS1RH</b>	Nema 1
	<b>OHBS3RH</b>	Nema 1; Padlockable
	<b>OHBS2RJ</b>	Nema 3R, 12; Padlockable

<sup>9)</sup> Red/yellow versions by substituting OHB with OHY

<sup>10)</sup> Snap-on mounting

<sup>11)</sup> Screw mounting

Please consult for 6/8-pole solutions, snap-on poles for door-mount disconnects and any additional accessories



# UL 98 rotary style disconnects, 30...100 A

## 1 Snap-on poles

OT30...60	<b>OTPS60FP</b>	4th pole
	<b>OTPL60FP</b>	Late-break/Early-make
	<b>OTPN60FP</b>	Solid neutral
	<b>OTPD60FP</b>	Detachable neutral
	<b>OTPE60FP</b>	Ground terminal
OT100	<b>OTPS125FP</b>	4th pole
	<b>OTPL125FP</b>	Late-break/Early-make
	<b>OTPN125FP</b>	Solid neutral
	<b>OTPD125FP</b>	Detachable neutral
	<b>OTPE125FP</b>	Ground terminal

## 2 Handles<sup>4)</sup>

Selector type OT30...100	<b>OHBS2AJ1</b>	NEMA type; Length; Details 3R,12; Padlockable
	<b>OHBS2AJ</b>	3R,12; Padlockable; Defeatable
Pistol type <sup>5)</sup> OT30...100	<b>OHBS2AJ</b>	3R,12; Padlockable; Defeatable
	<b>OHB65J6</b>	3R,12; 65 mm
	<b>OHB65L6</b>	4,4X; 65 mm
	<b>OHB65J6EH</b>	3R,12; 65 mm; Stainless steel hasp
Pistol type <sup>5)</sup> OT30...100	<b>OHB65L6EH</b>	4,4X; 65 mm; Stainless steel hasp
	<b>OHB65L6</b>	4,4X; 65 mm; Stainless steel
Direct <sup>6)</sup> OT30...100	<b>OHBS2</b>	Black; Padlockable

<sup>4)</sup> Red/yellow versions by substituting OHB with OHY

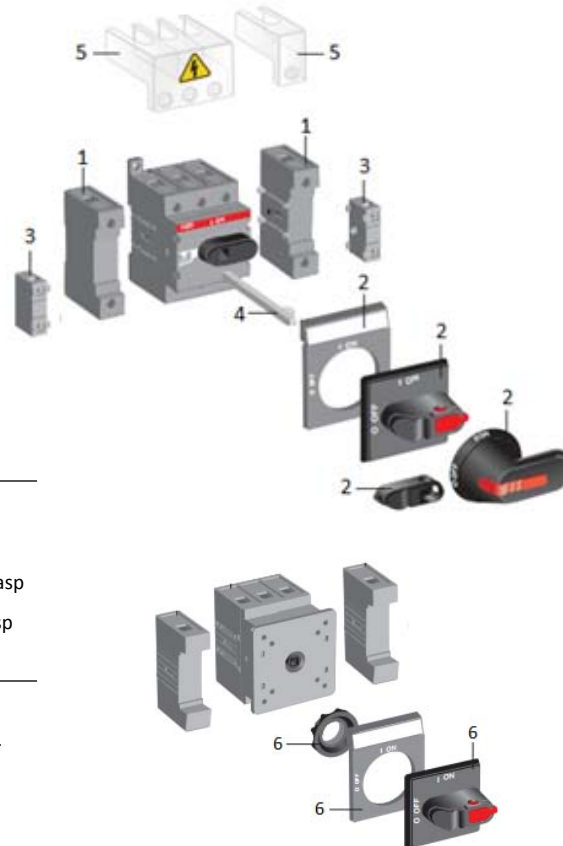
<sup>5)</sup> All defeatable & padlockable with 3 locks

<sup>6)</sup> No shaft needed; Red version OHRS2

## 3 Auxiliaries

OT30...100	<b>OA1G01</b>	1 N.C. <sup>1)</sup>
	<b>OA1G10</b>	1 N.O. <sup>2)</sup>
	<b>OA2G11</b>	1 N.O. & 1 N.C. <sup>3)</sup>

- <sup>1)</sup> Left-side mounting only  
<sup>2)</sup> Right-side mounting only  
<sup>3)</sup> Cannot be mounted on snap-on poles



## 4 Shafts

For selector handles OT30...100	<b>OXS6X85</b>	Shaft length 3.3"/85 mm
	<b>OXS6X105</b>	4.1"/105 mm
	<b>OXS6X120</b>	4.7"/120 mm
	<b>OXS6X130</b>	5.1"/130 mm
	<b>OXS6X180</b>	7.1"/180 mm
For pistol handles OT30...100	<b>OXS6X250</b>	9.8"/250 mm
	<b>OSP6X130</b>	5.2"/130 mm
	<b>OSP6X150</b>	5.9"/150 mm
	<b>OSP6X210</b>	8.3"/210 mm
	<b>OSP6X290</b>	11.4"/290 mm

## 5 Terminal shrouds<sup>7)</sup>

OT30...100	<b>OTS125T3</b>	1 pc for 3 terminals
	<b>OTS125T1</b>	1 pc for 1 snap-on pole

<sup>7)</sup> OT30...100 switches are IP20 touchsafe, shrouds provide extra protection

## 6 Handles for door-mount disconnects<sup>8)</sup>

OT30...100_T <sup>9)</sup>	<b>OHBS2RJ</b>	Black; Nema 3R, 12; Padlockable
----------------------------	----------------	---------------------------------

<sup>8)</sup> Red/yellow versions by substituting OHB with OHY

<sup>9)</sup> Screw mounting

Please consult for 6/8-pole solutions, snap-on poles for door-mount disconnects and change-over solutions



# UL 98 rotary style disconnects, 200...1200 A

1 Shafts		Length <sup>1)</sup>
OT200U	<b>OSP6X130</b>	5.2"/130 mm
	<b>OSP6X150</b>	5.9"/150 mm
	<b>OSP6X210</b>	8.3"/210 mm
	<b>OSP6X290</b>	11.4"/290 mm
OT400...1200U	<b>OSP12X280</b>	11.0"/280mm
	<b>OSP12X325</b>	12.8"/325 mm
	<b>OSP12X395</b>	15.6"/395 mm
	<b>OSP12X465</b>	18.3"/465 mm
	<b>OSP12X535</b>	21.1"/535 mm

<sup>1)</sup> Installation depth allows some adjustment  
Shafts may also be cut to needed length

2 Pistol type handles <sup>2)</sup>		Length; NEMA type
OT200U	<b>OHB65J6</b>	2.6"/65mm; 3R, 12
	<b>OHB80J6</b>	3.1"/80mm; 3R, 12
	<b>OHB65L6</b>	2.6"/65mm; 4, 4X
	<b>OHB80L6</b>	3.1"/80mm; 4, 4X
OT400...1200U	<b>OHB125J12</b>	4.9"/125mm; 3R, 12
	<b>OHB145J12</b>	5.7"/145mm; 3R, 12
	<b>OHB175J12</b>	6.9"/175mm; 3R, 12
	<b>OHB200J12P<sup>3)</sup></b>	7.9"/200mm; 3R, 12
	<b>OHB274J12</b>	10.8"/274mm; 3R, 12
	<b>OHB330J12</b>	13"/330mm; 3R, 12
	<b>OHB125L12</b>	4.9"/125mm; 4, 4X
	<b>OHB145L12</b>	5.7"/145mm; 4, 4X
	<b>OHB175L12</b>	6.9"/175mm; 4, 4X
	<b>OHB200L12P<sup>3)</sup></b>	7.9"/200mm; 4, 4X
	<b>OHB274L12</b>	10.8"/274mm; 4, 4X
	<b>OHB330L12</b>	13"/330mm; 4, 4X

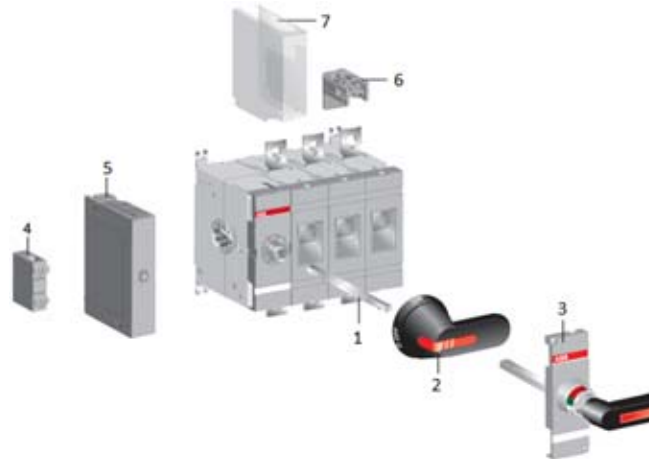
<sup>2)</sup> Red/yellow versions by substituting OHB to OHY  
All handles defeatable and padlockable with 3 locks  
<sup>3)</sup> T-handle

3 Direct mount handles <sup>4)</sup>	
OT200U	<b>OTV250EK</b>
OT400U	<b>OTV400EK</b>
OT600U	<b>OTV800EK</b>
OT800...1200U	<b>OTV1000EK</b>

<sup>4)</sup> Shaft included, padlockable with 3 locks

4 Auxiliaries <sup>6)</sup>		
OT200-1200U	<b>OA1G10</b>	1 N.O.
	<b>OA3G01</b>	1 N.C.

<sup>6)</sup> OT200U: 4 pcs mount into mechanism  
OT400...600U: 8 pcs mount into mechanism  
OT800...1200U: 12 pcs mount into mechanism



## 5 Module for additional auxiliaries<sup>7)</sup>

OT200...1200U **OEA28**

<sup>7)</sup> Module mounts on left side of disconnect  
8 additional auxiliaries fit into module

## 6 Terminal lugs

OT200U	<b>OZXA-200</b>	6 lugs
OT400U	<b>OZXA-400</b>	
OT600U	<b>OZXA-800</b>	
OT800...1200U	<b>OZXA-1200</b>	

## 7 Terminal shrouds

OT200U	<b>OTS250G1L/3</b>	3 pcs for 3 terminals
OT400U	<b>OTS403</b>	1 pc for 3 terminals
OT600U	<b>OTS603</b>	1 pc for 3 terminals
OT800U	<b>OTS803</b>	1 pc for 3 terminals
OT1200U	<b>OTS1203</b>	1 pc for 3 terminals

Please consult for 6/8-pole solutions and any additional accessories



# UL 98 rotary style disconnects, fusible 30 A

## 1 Shafts

		Shaft length
	<b>OSP6X150</b>	5.9"/150 mm
OS30	<b>OSP6X210</b>	8.3"/210 mm
	<b>OSP6X290</b>	11.4"/290 mm

## 4 Auxiliaries

	<b>OA3G01<sup>4)</sup></b>	1 N.C.
OS30	<b>OA1G10<sup>4)</sup></b>	1 N.O.
	<b>OA4B1C<sup>5)</sup></b>	Form C, 1 N.O. & 1 N.C.

<sup>4)</sup> Maximum 6 pcs mount on left side of disconnect using OSZ4

<sup>5)</sup> Maximum 2 pcs mount on disconnect mechanism

## 5 Module for auxiliaries or fuse monitor mounting<sup>6)</sup>

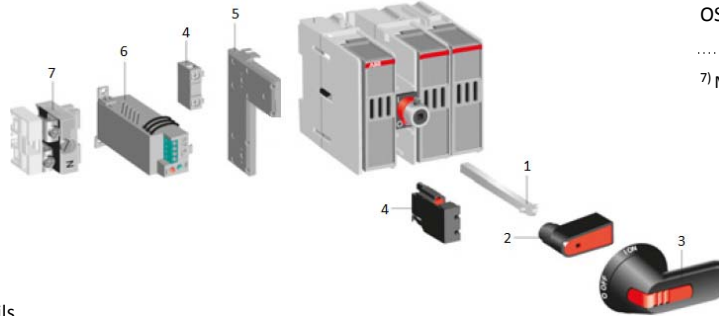
OS30	<b>OSZ4</b>	Mounts on left side of disconnect
------	-------------	-----------------------------------

<sup>6)</sup> Takes max. 6 auxiliaries or a fuse monitor

## 2 Direct mount handle<sup>1)</sup>

OS30	<b>OHBS5</b>	Padlockable door open
------	--------------	-----------------------

<sup>1)</sup> Mounts directly on disconnect, no shaft needed



## 3 Pistol type handles<sup>2)</sup>

		Length; NEMA type; Details
	<b>OHB65J6</b>	65 mm; 3R,12
	<b>OHB65L6</b>	65 mm; 4,4X
OS30 <sup>3)</sup>	<b>OHB65J6EH</b>	65 mm; 3R,12; Stainless steel hasp
	<b>OHB65L6EH</b>	65 mm; 4,4X; Stainless steel hasp
	<b>OHM65L6</b>	65 mm; 4,4X; Stainless steel

<sup>2)</sup> Red/yellow versions by substituting OHB with OHY

<sup>3)</sup> All defeatable and padlockable with 3 locks

## 6 Fuse monitor<sup>7)</sup>

OS30	<b>OFM240</b>	100 - 240 VAC
	<b>OFM600</b>	380 - 600 VAC

<sup>7)</sup> Mounting on panel or left side of disconnect with OSZ4

## 7 Detachable neutral<sup>8)</sup>

OS30	<b>OESA-ZX171</b>	600 VAC
------	-------------------	---------

<sup>8)</sup> Mounting on side of disconnect or on DIN rail

Please consult for 6/8-pole solutions and any additional accessories



# UL 98 rotary style disconnects, fusible 60...1200 A

1 Shafts		Length <sup>1)</sup>
OS60GJ...200J	<b>OSP6X130</b>	5.2"/130 mm
	<b>OSP6X150</b>	5.9"/150 mm
	<b>OSP6X210</b>	8.3"/210 mm
	<b>OSP6X290</b>	11.4"/290 mm
OS400J...1200L	<b>OSP12X280</b>	11.0"/280mm
	<b>OSP12X325</b>	12.8"/325 mm
	<b>OSP12X395</b>	15.6"/395 mm
	<b>OSP12X465</b>	18.3"/465 mm
	<b>OSP12X535</b>	21.1"/535 mm

<sup>1)</sup> Installation depth allows some adjustment  
Shafts may also be cut to needed length

2 Pistol type handles <sup>2)</sup>		Length; NEMA type
OS60GJ...200J	<b>OHB65J6</b>	2.6"/65mm; 3R,12
	<b>OHB80J6</b>	3.1"/80mm; 3R,12
	<b>OHB65L6</b>	2.6"/65mm; 4,4X
	<b>OHB80L6</b>	3.1"/80mm; 4,4X
OS400J...1200L	<b>OHB125J12</b>	4.9"/125mm; 3R,12
	<b>OHB145J12</b>	5.7"/145mm; 3R,12
	<b>OHB175J12</b>	6.9"/175mm; 3R,12
	<b>OHB200J12P<sup>3)</sup></b>	7.9"/200mm; 3R,12
	<b>OHB274J12</b>	10.8"/274mm; 3R,12
	<b>OHB330J12</b>	13"/330mm; 3R,12
	<b>OHB125L12</b>	4.9"/125mm; 4,4X
	<b>OHB145L12</b>	5.7"/145mm; 4,4X
	<b>OHB175L12</b>	6.9"/175mm; 4,4X
	<b>OHB200L12P<sup>3)</sup></b>	7.9"/200mm; 4,4X
	<b>OHB274L12</b>	10.8"/274mm; 4,4X
<b>OHB330L12</b>	13"/330mm; 4,4X	

<sup>2)</sup> Red/yellow versions by substituting OHB to OHY  
All handles defeatable and padlockable with 3 locks

<sup>3)</sup> T-handle

3 Direct mount handles <sup>4)</sup>	
OS60GJ...200J	<b>OSV200BK</b>
OS400J	<b>OSV400BK</b>
OS600J...800L	<b>OSV800DK</b>
OS1200L	<b>OSV1250DK</b>

<sup>4)</sup> Shaft included, padlockable with 3 locks

4 Auxiliaries <sup>5)</sup>		
OS60GJ...1200L	<b>OA1G10</b>	1 N.O.
	<b>OA3G01</b>	1 N.C.

<sup>5)</sup> OS200J: 4 pcs mount into mechanism  
OS400J...800L: 8 pcs mount into mechanism  
OS1200L: 12 pcs mount into mechanism

## 5 Module for additional auxiliaries<sup>6)</sup>

OS60GJ...1200L **OEA28**

<sup>6)</sup> Module mounts on left side of disconnect  
8 additional auxiliaries fit into module

## 6 Terminal lugs

OS60GJ	Internal	
OS100GJ	<b>OZXA-24</b>	
OS200J	<b>OZXA-200</b>	
OS400J	<b>OZXA-400</b>	6 lugs
OS600J...800L	<b>OZXA-800</b>	
OS1200L	<b>OZXA-1200</b>	

## 7 Terminal shrouds

OS100GJ	<b>OSS160GG1L/3</b>	3 pcs for 3 terminals
OS200J	<b>OSS200G1L/3</b>	3 pcs for 3 terminals
OS400J	<b>OSS403</b>	1 pc for 3 terminals
OS600J	<b>OSS603</b>	1 pc for 3 terminals
OS800L	<b>OSS803</b>	1 pc for 3 terminals
OS1200L	<b>OSS1250G1L/3</b>	3 pcs for 3 terminals

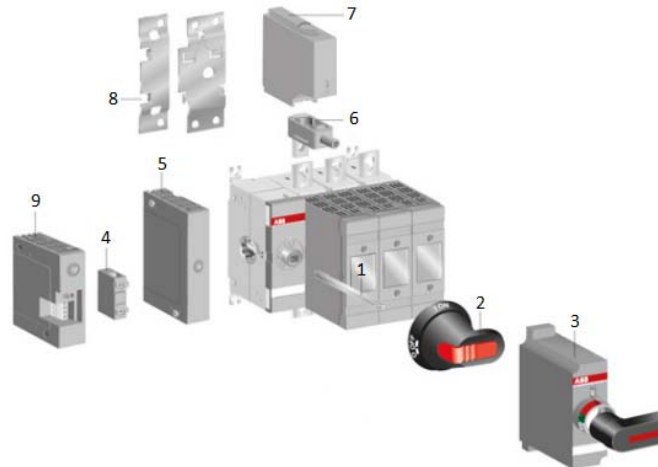
## 8 DIN rail adapter

OS60GJ...100GJ **OSGZD1**

## 9 Fuse monitors<sup>7)</sup>

OS60GJ...1200L	<b>OFM240</b>	100 - 240 VAC
	<b>OFM600</b>	380 - 600 VAC

<sup>7)</sup> Mounting on panel



Please consult for 6/8-pole solutions and any additional accessories



# UL 508 manual double-throw disconnects, 16...80 A

## 1 Shafts

		Shaft length
For selector handles OT16...80_C	<b>OXS6X85</b>	3.3"/85 mm
	<b>OXS6X105</b>	4.1"/105 mm
	<b>OXS6X120</b>	4.7"/120 mm
	<b>OXS6X130</b>	5.1"/130 mm
	<b>OXS6X180</b>	7.1"/180 mm
For pistol handles OT16...80_C	<b>OXS6X250</b>	9.8"/250 mm
	<b>OSP6X130</b>	5.2"/130 mm
	<b>OSP6X150</b>	5.9"/150 mm
	<b>OSP6X210</b>	8.3"/210 mm
	<b>OSP6X290</b>	11.4"/290 mm

## 2 Handles<sup>1)</sup>

		NEMA type; Length; Details
Selector type OT16...80_C	<b>OHBS2AJE011</b>	3R,12; Padlockable; Defeatable
Pistol type <sup>2)</sup> OT16...80_C	<b>OHB65J6E011</b>	3R,12; 65 mm
	<b>OHB65L6E011</b>	4,4X; 65 mm
Direct <sup>3)</sup> OT16...80_C	<b>OHBS3</b>	Black
	<b>OHBS2</b>	Black, Padlockable

<sup>1)</sup> Red/yellow versions by substituting OHB with OHY

<sup>2)</sup> All defeatable and padlockable with 3 locks

<sup>3)</sup> No shaft needed; Red versions OHR53 and OHR52

## 3 Auxiliaries

	<b>OA1G01</b>	1 N.C. <sup>5)</sup>
OT16...80_C	<b>OA1G10</b>	1 N.O. <sup>6)</sup>
	<b>OA2G11</b>	1 N.O. & 1 N.C. <sup>7)</sup>

<sup>5)</sup> Left-side mounting only

<sup>6)</sup> Right-side mounting only

<sup>7)</sup> Cannot be mounted on snap-on poles



## 4 Snap-on poles

	<b>OTPS40FPN1</b>	4th pole <sup>4)</sup>
	<b>OTPL40FP</b>	Late-break/Early-make
OT16...40_C	<b>OTPN40FP</b>	Solid neutral
	<b>OTPD40FP</b>	Detachable neutral
	<b>OTPE40FP</b>	Ground terminal
OT63...80_C	<b>OTPS80FP</b>	4th pole
	<b>OTPL80FP</b>	Late-break/Early-make
	<b>OTPN80FP</b>	Solid neutral
	<b>OTPD80FP</b>	Detachable neutral
	<b>OTPE80FP</b>	Ground terminal

<sup>4)</sup> Left-side mounting only, OTPS40FPN2 for right-side mounting

## 5 Terminal shrouds<sup>8)</sup>

OT16...40_C	<b>OTS40T3</b>	1 pc for 3 terminals
	<b>OTS40T1</b>	1 pc for 1 snap-on pole
OT63...80_C	<b>OTS63T3</b>	1 pc for 3 terminals
	<b>OTS63T1</b>	1 pc for 1 snap-on pole

<sup>8)</sup> OT16...80 are IP20 touchsafe, shrouds provide extra protection

Please consult for any additional accessories



# UL 98 manual double-throw disconnects, 200...800 A

1 Shafts		Length <sup>1)</sup>
OT200U_C	<b>OXP6X130</b>	5.2"/130 mm
	<b>OXP6X150</b>	5.9"/150 mm
	<b>OXP6X210</b>	8.3"/210 mm
	<b>OXP6X290</b>	11.4"/290 mm
OT400...800U_C	<b>OXP12X280</b>	11.0"/280mm
	<b>OXP12X325</b>	12.8"/325 mm
	<b>OXP12X395</b>	15.6"/395 mm
	<b>OXP12X465</b>	18.3"/465 mm
	<b>OXP12X535</b>	21.1"/535 mm

<sup>1)</sup> Installation depth allows some adjustment  
Shafts may also be cut to needed length

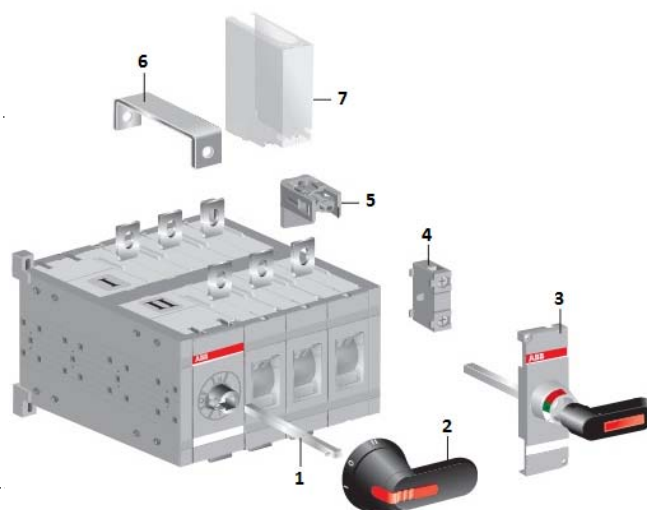
2 Pistol type handles <sup>2)</sup>		Length; NEMA type
OT200U_C	<b>OHB65J6E011</b>	2.6"/65mm; 3R,12
	<b>OHB80J6E011</b>	3.1"/80mm; 3R,12
	<b>OHB65L6E011</b>	2.6"/65mm; 4,4X
	<b>OHB80L6E011</b>	3.1"/80mm; 4,4X
OT400...800U_C	<b>OHB145J12E011</b>	5.7"/145mm; 3R,12
	<b>OHB175J12E011</b>	6.9"/175mm; 3R,12
	<b>OHB200J12PE011<sup>3)</sup></b>	7.9"/200mm; 3R,12
	<b>OHB274J12E011</b>	10.8"/274mm; 3R,12
	<b>OHB145L12E011</b>	5.7"/145mm; 4,4X
	<b>OHB175L12E011</b>	6.9"/175mm; 4,4X
	<b>OHB274L12E011</b>	10.8"/274mm; 4,4X

<sup>2)</sup> Red/yellow versions by substituting OHB to OHY  
All handles defeatable and padlockable with 3 locks

<sup>3)</sup> T-handle

3 Direct mount handles <sup>4)</sup>	
OT200U_C	<b>OTV250ECK</b>
OT400U_C	<b>OTV400ECK</b>
OT600U_C	<b>OTV800ECK</b>
OT800U_C	<b>OTV1000ECK</b>

<sup>4)</sup> Shaft included, padlockable with 3 locks



4 Auxiliaries <sup>5)</sup>		
OT200...800U_C	<b>OA1G10</b>	1 N.O.
	<b>OA3G01</b>	1 N.C.

<sup>5)</sup> Up to 8 pcs mount on right side of disconnects

5 Terminal lugs		
OT200U_C	<b>OZXA-200/9</b>	9 lugs
OT400U_C	<b>OZXA-400/9</b>	
OT600U_C	<b>OZXA-800/9</b>	
OT800U_C	<b>OZXA-1200/9</b>	

6 Bridging bars <sup>6)</sup>		
OT200U_C	<b>OTZC13</b>	3 bars
OT400U_C	<b>OTZC23</b>	
OT600U_C	<b>OTZC33</b>	
OT800U_C	<b>OTZC53</b>	

<sup>6)</sup> Bars can be used to parallel disconnect input or output

7 Terminal shrouds		
OT200U_C	<b>OTS250G1L/3</b>	3 pcs for 3 terminals
OT400U_C	<b>OTS400G1L/3<sup>7)</sup></b>	3 pcs for 3 terminals
OT600U_C	<b>OTS800G1L/3<sup>7)</sup></b>	3 pcs for 3 terminals
OT800U_C	<b>OTS1600G1L/3<sup>7)</sup></b>	3 pcs for 3 terminals

<sup>7)</sup> Not to be used with OZXA\_lugs

Please consult for any additional accessories

