

(0,50 mm) .0197"

LSHM-DH, LSHM-RH SERIES

HIGH SPEED HERMAPHRODITIC STRIP

SPECIFICATIONS

For complete specifications and recommended PCB layouts see www.samtec.com?LSHM

Insulator Material:
Black Liquid Crystal Polymer
Contact Material:
Phosphor Bronze
Plating:
Au or Sn over 50µ" (1,27 µm) Ni
Current Rating:
1.9 A per pin
(2 adjacent pins powered)
Operating Temp Range:
-55°C to +125°C
RoHS Compliant:
Yes

Processing:
Lead-Free Solderable:
Yes
SMT Lead Coplanarity:
(0,10 mm) .004" max

Board Mates:
LSHM

Cable Mates:
HLCD

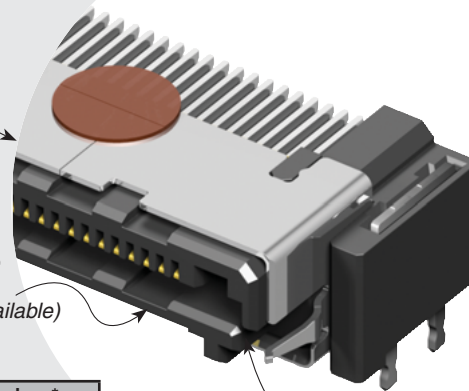
RUGGEDIZED
by SAMTEC

- High retention contacts
- Audible click when mated
- Shrouded

Optional shielding

Standard or reverse Right Angle orientation (vertical available)

Suitable for coplanar and perpendicular applications



Audible click when mated properly

LSHM-DH/LSHM-DV	Rated @ 3dB Insertion Loss*
Single-Ended Signaling	7 GHz / 14 Gbps
Differential Pair Signaling	6 GHz / 12 Gbps

*Performance data includes effects of a non-optimized PCB.
Complete test data available at www.samtec.com?LSHM or contact sig@samtec.com

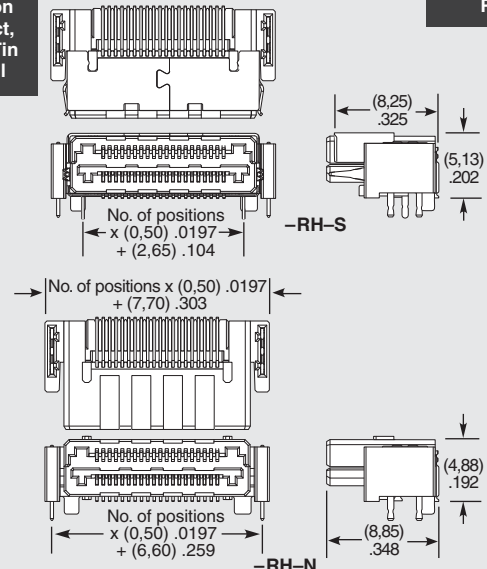
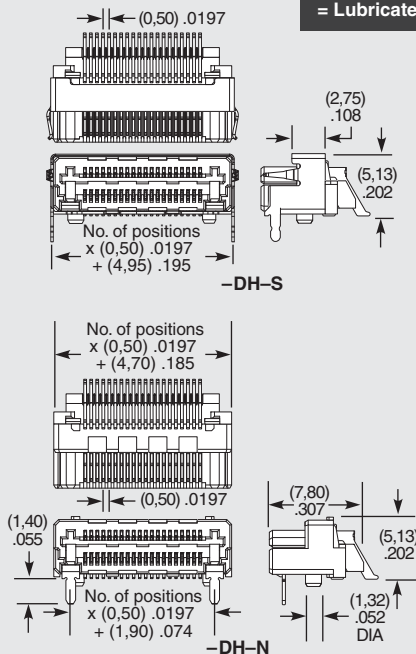
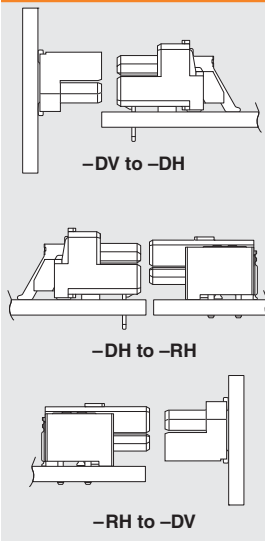
RECOGNITIONS

For complete scope of recognitions see www.samtec.com/quality



LSHM	1	NO. PINS PER ROW	LEAD STYLE	PLATING OPTION	TAIL OPTION	A	SHIELD OPTION	K	TR
		20, 30, 40, 50	-01 = Standard -L1 = Lubricated	-F = Gold flash on contact, Matte Tin on tail -L = 10µ" (0,25 µm) Gold on contact, Matte Tin on tail	-DH = Right Angle -RH = Reverse Right Angle		-S = With Shield -N = Without Shield	-K = (3,50 mm) .138" DIA Polyimide film Pick & Place Pad	-TR = Tape & Reel

APPLICATION



Note: Some lengths, styles and options are non-standard, non-returnable.