

**PLEASE CHECK WWW.MOLEX.COM FOR LATEST PART INFORMATION**

**Part Number:** [0743204004](#)

**Status:** **Active**

**Overview:** [MicroCross™ DVI Connectors and Cable Assemblies](#)

**Description:** MicroCross™ DVI-D Digital Visual Interface, PCB Receptacle, Polyester (PCT), Panel Mount, Through Hole, Right Angle, Gold (Au) Flash, 2.34mm PC Tail Length, Lead-Free, Screw Hole, 4-40 Thread, 24 Circuits

**Documents:**

[Drawing \(PDF\)](#)

[Product Specification PS-74320-001 \(PDF\)](#)

[Test Summary TS-74320-001 \(PDF\)](#)

[RoHS Certificate of Compliance \(PDF\)](#)

**Agency Certification**

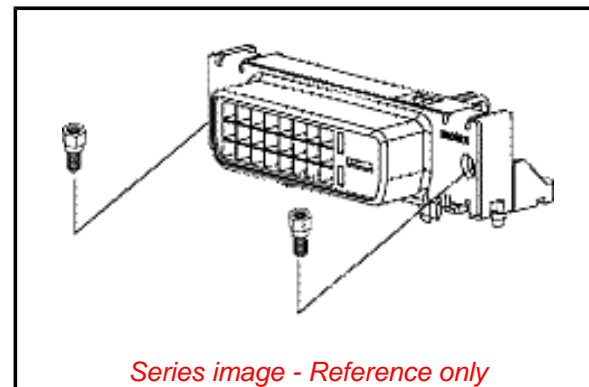
UL E29179

**General**

Product Family I/O Connectors  
 Series [74320](#)  
 Application Wire-to-Board  
 Comments DDWG (Digital Display Working Group) Standard  
 Component Type Receptacle  
 Electrical Model Yes  
 Overview [MicroCross™ DVI Connectors and Cable Assemblies](#)  
 Product Name MicroCross™DVI  
 Type N/A  
 UPC 800754009997

**Physical**

Boot Color N/A  
 Circuits (Loaded) 24  
 Circuits (maximum) 24  
 Color - Resin Natural  
 Durability (mating cycles max) 100  
 Flammability 94V-0  
 Gender Receptacle  
 Keying to Mating Part Yes  
 Lock to Mating Part Yes  
 Material - Metal Copper Alloy  
 Material - Plating Mating Gold  
 Material - Plating Termination Tin  
 Net Weight 6.611/g  
 Number of Rows 3  
 Orientation Right Angle  
 PC Tail Length 2.34mm  
 PCB Locator Yes  
 PCB Retention Yes  
 Packaging Type Tray  
 Panel Mount Yes  
 Pitch - Mating Interface 1.90mm  
 Pitch - Termination Interface 1.90mm  
 Plating min - Mating 0.051µm  
 Plating min - Termination 2.540µm  
 Polarized to Mating Part Yes  
 Polarized to PCB Yes  
 Ports 1  
 Surface Mount Compatible (SMC) No  
 Temperature Range - Operating -20°C to +85°C  
 Termination Interface: Style Through Hole



*Series image - Reference only*

**EU ELV**

**Not Relevant**

**EU RoHS**

**Compliant**

**REACH SVHC**

Contains SVHC(2015 June 15): No

**Halogen-Free**

**Status**

**Not Low-Halogen**

**Need more information on product environmental compliance?**

Email [productcompliance@molex.com](mailto:productcompliance@molex.com)  
 Please visit the [Contact Us](#) section for any non-product compliance questions.

China ROHS

ELV

Green Image

Not Relevant

**Search Parts in this Series**

[74320 Series](#)

**Mates With**

[88744](#) , [74323](#)

**Use With**

Hex Screw Kit [71781-1000](#) or [71781-2000](#)

Waterproof / Dustproof	No
Wire Size AWG	N/A
<b>Electrical</b>	
Current - Maximum per Contact	3.0A
Grounding to Panel	Yes
Shield Type	Full Shield
Shielded	Yes
Voltage - Maximum	40V AC (RMS)

**Solder Process Data**

Lead-free Process Capability	WAVE
------------------------------	------

**Material Info****Reference - Drawing Numbers**

Electrical Model Document	EE-74320-001
Product Specification	PS-74320-001, RPS-74320-005, RPS-74320-006, RPS-74320-007, RPS-74320-008, RPS-74320-010, RPS-74320-011, RPS-74320-012, RPS-74320-013, RPS-74320-016
S-Parameter Model	SP-74320-001
Sales Drawing	SD-74320-003
Test Summary	TS-74320-001

This document was generated on 10/29/2015

**PLEASE CHECK [WWW.MOLEX.COM](http://WWW.MOLEX.COM) FOR LATEST PART INFORMATION**