

MAX11300

PIXI, 20-Port Programmable Mixed-Signal I/O with 12-Bit ADC, 12-Bit DAC, Analog Switches, and GPIO

General Description

The MAX11300 integrates a PIXI™, 12-bit, multichannel, analog-to-digital converter (ADC) and a 12-bit, multichannel, buffered digital-to-analog converter (DAC) in a single integrated circuit. This device offers 20 mixed-signal high-voltage, bipolar ports, which are configurable as an ADC analog input, a DAC analog output, a general-purpose input (GPI), a general-purpose output (GPO), or an analog switch terminal. One internal and two external temperature sensors track junction and environmental temperature. Adjacent pairs of ports are configurable as a logic-level translator for open-drain devices or an analog switch.

PIXI ports provide highly flexible hardware configuration for 12-bit mixed-signal applications. The MAX11300 is best suited for applications that demand a mixture of analog and digital functions. Each port is individually configurable with up to four selectable voltage ranges within -10V to +10V.

The MAX11300 allows for the averaging of 2, 4, 8, 16, 32, 64, or 128 ADC samples from each ADC-configured port to improve noise performance. A DAC-configured output port can drive up to 25mA. The GPIO ports can be programmed to user-defined logic levels, and a GPI coupled with a GPO forms a logic-level translator.

Internal and external temperature measurements monitor programmable conditions of minimum and maximum temperature limits, using the interrupt to notify the host if one or more conditions occur. The temperature measurement results are made available through the serial interface.

The MAX11300 features an internal, low-noise 2.5V voltage reference and provides the option to use external voltage references with separate inputs for the DAC and ADC. The device uses a 4-wire, 20MHz, SPI-compatible serial interface, operating from a 5V analog supply and a 1.8V to 5.0V digital supply. The PIXI port supply voltages operate from a wide range of -12.0V to +12.0V.

The MAX11300 is available in a 40-pin TQFN, 6mm x 6mm package or a 48-pin TQFP, 7mm x 7mm package specified over the -40°C to +105°C temperature range.

Applications

- Base Station RF Power Device Bias Controllers
- System Supervision and Control
- Power-Supply Monitoring
- Industrial Control and Automation
- Control for Optical Components

Features

- Up to 20 12-Bit ADC Inputs, Single-Ended or Differential
- ADC Absolute Input Voltage Ranges
 - 0V to +10V
 - -5V to +5V
 - -10V to 0V
 - 0V to +2.5V (Direct ADC Connection)
- Programmable Sampling Averaging per ADC Port
- Up to 20 12-Bit DAC Outputs with 25mA Current Capability
- DAC Output Voltage Ranges
 - 0V to +10V
 - -5V to +5V
 - -10V to 0V
- Up to 20 General-Purpose Digital I/O
- 0V to +5V Input Range for GPI
- 0V to +2.5V Programmable Threshold Range for GPI
- 0V to +10V Programmable Output Range for GPO
- Internal or External Voltage Reference for DAC and ADC
- Individually Selectable Voltage Reference for Each ADC-Configured PIXI Port
- Internal and External Temperature Sensors, $\pm 1^\circ\text{C}$ Accuracy
- 60 Ω Analog Switch Between Adjacent PIXI Ports
- +5V Analog Supply
- 1.8V to 5.0V Compatible Serial Interface
- 20MHz SPI/QSPI -Compatible
- Small 6mm x 6mm (36mm² Total Area) 40-Pin TQFN and 7mm x 7mm (81mm² Total Area) 48-Pin TQFP Packages

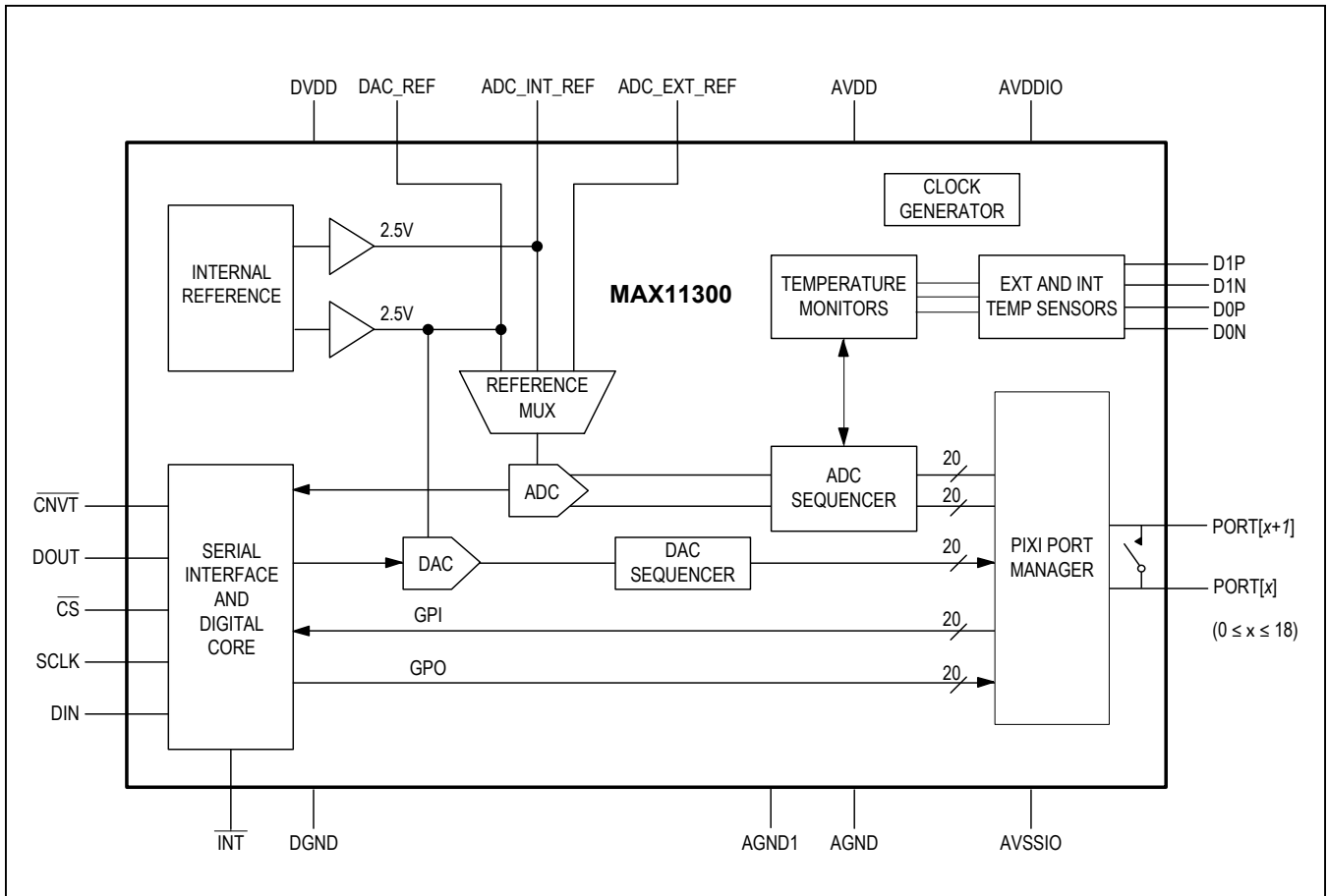
Ordering Information appears at end of data sheet.

For related parts and recommended products to use with this part, refer to www.maximintegrated.com/MAX11300.related.

PIXI is a trademark of Maxim Integrated Products, Inc.



Functional Diagram



Absolute Maximum Ratings

| | | | |
|---|--|--|---|
| DVDD to DGND..... | -0.3V to +6V | DAC and ADC Reference Pins to AGND (DAC_REF, ADC_INT_REF, ADC_EXT_REF)..... | -0.3V to the min of (V _{AVDD} + 0.3V) or +4V |
| AVDD to AGND | -0.3V to +6V | Temperature Sensor Pins (D0N, D0P, D1N, D1P) to AGND..... | -0.3V to the min of (V _{AVDD} + 0.3V) or +6V |
| AVDDIO to AVSSIO..... | -0.3V to +25V | Current into Any PORT Pin | 100mA |
| AVDDIO to AGND..... | -0.3V to +17V | Current into Any Other Pin Except Supplies and Ground..... | 50mA |
| AVSSIO to AGND | -14V to +0.3V | Continuous Power Dissipation (T _A = +70°C) (Multilayer board) TQFN (derate 37mW/°C above +70°C) | 2963mW |
| AGND to AGND1..... | -0.3V to +0.3V | TQFP (derate 36.2mW/°C above +70°C)..... | 2898.6mW |
| AGND to DGND | -0.3V to +0.3V | Operating Temperature Range..... | -40°C to +105°C |
| AGND1 to DGND | -0.3V to +0.3V | Storage Temperature Range..... | -65°C to +150°C |
| (PORT0 to PORT19) to AGND..... | max of (V _{AVSSIO} - 0.3V) or -14V to min of (V _{AVDDIO} + 0.3V) or +17V | Lead Temperature (soldering, 10s) | +300°C |
| (PORT0 to PORT19) to AGND (GPI and Bidirectional Level Translator Modes)..... | -0.3V to the min of (V _{AVDD} + 0.3V) or +6V | Soldering Temperature (reflow)..... | +260°C |
| ($\overline{\text{CNVT}}$, DOUT) to DGND... .. | -0.3V to the min of (V _{DVDD} + 0.3V) or +6V | | |
| ($\overline{\text{CS}}$, SCLK, DIN, $\overline{\text{INT}}$) to DGND..... | -0.3V to +6V | | |

Stresses beyond those listed under "Absolute Maximum Ratings" may cause permanent damage to the device. These are stress ratings only, and functional operation of the device at these or any other conditions beyond those indicated in the operational sections of the specifications is not implied. Exposure to absolute maximum rating conditions for extended periods may affect device reliability.

Package Thermal Characteristics (Note 1)

| | | | | | |
|------|--|--------|------|--|----------|
| TQFN | Junction-to-Case Thermal Resistance (θ_{JC})..... | 1°C/W | TQFP | Junction-to-Case Thermal Resistance (θ_{JC})..... | 2°C/W |
| | Junction-to-Ambient Thermal Resistance (θ_{JA})..... | 27°C/W | | Junction-to-Ambient Thermal Resistance (θ_{JA})..... | 27.6°C/W |

Note 1: Package thermal resistances were obtained using the method described in JEDEC specification JESD51-7, using a four-layer board. For detailed information on package thermal considerations, refer to www.maximintegrated.com/thermal-tutorial.

Electrical Characteristics

ADC Electrical Specifications

(V_{AVDD} = 4.75V to 5.25V, V_{DVDD} = 3.3V, V_{AVDDIO} = +12.0V, V_{AGND} = V_{DGND} = 0V, V_{AVSSIO} = -2.0V, V_{DACREF} = 2.5V, V_{ADCREF} = 2.5V (Internal), f_S = 400ksps, 10V analog input range set to range 1 (0 to +10V). T_A = -40°C to +105°C, unless otherwise noted. Typical values are at T_A = +25°C.) (Note 2)

| PARAMETER | SYMBOL | CONDITIONS | MIN | TYP | MAX | UNITS |
|------------------------------------|--------|-----------------------------------|-----|--------|------|--------|
| DC ACCURACY (Note 3) | | | | | | |
| Resolution | | | 12 | | | Bits |
| Integral Nonlinearity | INL | | | | ±2.5 | LSB |
| Differential Nonlinearity | DNL | No missing codes over temperature | | | ±1 | LSB |
| Offset Error | | 0V input, differential mode | | ±0.5 | ±8 | LSB |
| Offset Error Drift | | | | ±0.002 | | LSB/°C |
| Gain Error | | | | | ±11 | LSB |
| Gain Error Drift | | | | ±0.01 | | LSB/°C |
| Channel-to-Channel Offset Matching | | | | 1 | | LSB |
| Channel-to-Channel Gain Matching | | | | 2 | | LSB |

Electrical Characteristics (continued)**ADC Electrical Specifications**

($V_{AVDD} = 4.75V$ to $5.25V$, $V_{DVDD} = 3.3V$, $V_{AVDDIO} = +12.0V$, $V_{AGND} = V_{DGND} = 0V$, $V_{AVSSIO} = -2.0V$, $V_{DACREF} = 2.5V$, $V_{ADCREf} = 2.5V$ (Internal), $f_S = 400ksps$, 10V analog input range set to range 1 (0 to +10V). $T_A = -40^\circ C$ to $+105^\circ C$, unless otherwise noted. Typical values are at $T_A = +25^\circ C$.) (Note 2)

| PARAMETER | SYMBOL | CONDITIONS | MIN | TYP | MAX | UNITS |
|--|------------|------------------------------------|-----|-----|-----|-----------|
| DYNAMIC PERFORMANCE (Single-Ended Inputs) | | | | | | |
| Signal-to-Noise Plus Distortion | SINAD | $f_S = 400ksps$, $f_{IN} = 10kHz$ | | 70 | | dB |
| Signal to Noise | SNR | $f_S = 400ksps$, $f_{IN} = 10kHz$ | | 71 | | dB |
| Total Harmonic Distortion | THD | $f_S = 400ksps$, $f_{IN} = 10kHz$ | | -75 | | dB |
| Spurious-Free Dynamic Range | SFDR | $f_S = 400ksps$, $f_{IN} = 10kHz$ | | 75 | | dB |
| Crosstalk | | $f_S = 100ksps$, $f_{IN} = 10kHz$ | | -85 | | dB |
| DYNAMIC PERFORMANCE (Differential Inputs) | | | | | | |
| Signal-to-Noise Plus Distortion | SINAD | $f_S = 400ksps$, $f_{IN} = 10kHz$ | | 71 | | dB |
| Signal to Noise | SNR | $f_S = 400ksps$, $f_{IN} = 10kHz$ | | 72 | | dB |
| Total Harmonic Distortion | THD | $f_S = 400ksps$, $f_{IN} = 10kHz$ | | -82 | | dB |
| Spurious-Free Dynamic Range | SFDR | $f_S = 400ksps$, $f_{IN} = 10kHz$ | | 82 | | dB |
| Crosstalk | | $f_S = 100ksps$, $f_{IN} = 10kHz$ | | -85 | | dB |
| CONVERSION RATE | | | | | | |
| Throughput (Note 4) | | ADCCONV[1:0] = 00 | | 200 | | ksps |
| | | ADCCONV[1:0] = 01 | | 250 | | |
| | | ADCCONV[1:0] = 10 | | 333 | | |
| | | ADCCONV[1:0] = 11 | | 400 | | |
| Acquisition Time | t_{ACQ} | ADCCONV[1:0] = 00 | | 3.5 | | μs |
| | | ADCCONV[1:0] = 01 | | 2.5 | | |
| | | ADCCONV[1:0] = 10 | | 1.5 | | |
| | | ADCCONV[1:0] = 11 | | 1.0 | | |
| ANALOG INPUT (All Ports) | | | | | | |
| Absolute Input Voltage (Note 5) | V_{PORT} | Range 1 | 0 | | 10 | V |
| | | Range 2 | -5 | | +5 | |
| | | Range 3 | -10 | | 0 | |
| | | Range 4 | 0 | | 2.5 | |
| Input Resistance | | Range 1, 2, 3 | 70 | 100 | 130 | $k\Omega$ |
| | | Range 4 | 50 | 75 | 100 | $k\Omega$ |

REF Electrical Specifications

($V_{AVDD} = 4.75V$ to $5.25V$, $V_{DVDD} = 3.3V$, $V_{AVDDIO} = +12.0V$, $V_{AGND} = V_{DGND} = 0V$, $V_{AVSSIO} = -2.0V$, $V_{DACREF} = 2.5V$, $V_{ADCREf} = 2.5V$ (Internal), $f_S = 400ksps$, 10V analog input range set to range 1 (0 to +10V). $T_A = -40^{\circ}C$ to $+105^{\circ}C$, unless otherwise noted. Typical values are at $T_A = +25^{\circ}C$.) (Note 2)

| PARAMETER | SYMBOL | CONDITIONS | MIN | TYP | MAX | UNITS |
|---------------------------------|--------------|---|-------|----------|----------|------------------|
| ADC INTERNAL REFERENCE | | | | | | |
| Reference Output Voltage | | Internal references at $T_A = +25^{\circ}C$ | 2.494 | 2.5 | 2.506 | V |
| REF Output Tempco (Note 6) | T_{C-VREF} | | | ± 10 | ± 25 | ppm/ $^{\circ}C$ |
| Capacitor Bypass at ADC_INT_REF | | | 4.7 | | 10 | μF |
| DAC INTERNAL REFERENCE | | | | | | |
| Reference Output Voltage | | Internal references at $T_A = +25^{\circ}C$ | 2.494 | 2.5 | 2.506 | V |
| REF Output Tempco (Note 6) | T_{C-VREF} | | | ± 10 | ± 25 | ppm/ $^{\circ}C$ |
| Capacitor Bypass at DAC_REF | | | 4.7 | | 10 | μF |
| ADC EXTERNAL REFERENCE | | | | | | |
| Reference Input Range | | | 2 | | 2.75 | V |
| DAC EXTERNAL REFERENCE | | | | | | |
| Reference Input Range | | | 1.25 | | 2.5 | V |

GPIO Electrical Specifications

($V_{AVDD} = 5.0V$, $V_{DVDD} = 3.3V$, $V_{AVDDIO} = +12.0V$, $V_{AGND} = V_{DGND} = 0V$, $V_{AVSSIO} = -2.0V$, $V_{DACREF} = 2.5V$, $V_{ADCREf} = 2.5V$ (Internal), $f_S = 400ksps$, 10V analog input range set to range 1 (0 to +10V). $T_A = -40^{\circ}C$ to $+105^{\circ}C$, unless otherwise noted. Typical values are at $T_A = +25^{\circ}C$.) (Note 2)

| PARAMETER | SYMBOL | CONDITIONS | MIN | TYP | MAX | UNITS |
|---|------------|---|-----------------|----------|-----------------------|----------|
| GPIO EXCEPT IN BIDIRECTIONAL LEVEL TRANSLATION MODE | | | | | | |
| Programmable Input Logic Threshold | V_{ITH} | | 0.3 | | V_{DACREF} | V |
| Input High Voltage | V_{IH} | | $V_{ITH} + 0.3$ | | | V |
| Input Low Voltage | V_{IL} | | | | $V_{ITH} - 0.3$ | V |
| Hysteresis | | | | ± 30 | | mV |
| Programmable Output Logic Level | V_{OLVL} | | 0 | | $4 \times V_{DACREF}$ | V |
| Propagation Delay from GPI Input to GPO Output in Unidirectional Level Translating Mode | | Midscale threshold, 5V logic swing | | 2 | | μs |
| BIDIRECTIONAL LEVEL TRANSLATION PATH AND ANALOG SWITCH | | | | | | |
| Input High Voltage | V_{IH} | | 1 | | | V |
| Input Low Voltage | V_{IL} | | | | 0.2 | V |
| On-Resistance | | From $V_{AVSSIO} + 2.50V$ to $V_{AVDDIO} - 2.50V$ | | | 60 | Ω |

GPIO Electrical Specifications (continued)

($V_{AVDD} = 4.75V$ to $5.25V$, $V_{DVDD} = 3.3V$, $V_{AVDDIO} = +12.0V$, $V_{AGND} = V_{DGND} = 0V$, $V_{AVSSIO} = -2.0V$, $V_{DACREF} = 2.5V$, $V_{ADCREf} = 2.5V$ (Internal), $f_S = 400ksps$, 10V analog input range set to range 1 (0 to +10V). $T_A = -40^{\circ}C$ to $+105^{\circ}C$, unless otherwise noted. Typical values are at $T_A = +25^{\circ}C$.) (Note 2)

| PARAMETER | SYMBOL | CONDITIONS | MIN | TYP | MAX | UNITS |
|----------------------|--------|--|-----|-----|-----|----------|
| Propagation Delay | | 10k Ω pullup resistors to rail in each side. Midvoltage to midvoltage when driving side goes from high to low | | | 1 | μs |
| ANALOG SWITCH | | | | | | |
| Turn-On Delay | | When controlled by GPI-configured port | | | 400 | ns |
| Turn-Off Delay | | When controlled by GPI-configured port | | | 400 | ns |
| Off Time Duration | | Time before switch can be turned on again | 10 | | | μs |
| On-Resistance | | From $V_{AVSSIO} + 2.50V$ to $V_{AVDDIO} - 2.50V$ | | | 60 | Ω |

DAC Electrical Specifications

($V_{AVDD} = 4.75V$ to $5.25V$, $V_{DVDD} = 3.3V$, $V_{AVDDIO} = +12.0V$, $V_{AGND} = V_{DGND} = 0V$, $V_{AVSSIO} = -2.0V$, $V_{DACREF} = 2.5V$, $V_{ADCREf} = 2.5V$ (Internal), $f_S = 400ksps$, 10V analog input range set to range 1 (0 to +10V). $T_A = -40^{\circ}C$ to $+105^{\circ}C$, unless otherwise noted. Typical values are at $T_A = +25^{\circ}C$.) (Note 2)

| PARAMETER | SYMBOL | CONDITIONS | MIN | TYP | MAX | UNITS |
|---|------------|---|------|-----------|-----------|------------------------|
| DC ACCURACY | | | | | | |
| Resolution | N | | 12 | | | Bits |
| Output Range (Note 5) | V_{PORT} | Range 1 | 0 | | +10 | V |
| | | Range 2 | -5 | | +5 | |
| | | Range 3 | -10 | | 0 | |
| Integral Linearity Error | INL | From code 100 to code 3996 | | ± 0.5 | ± 1.5 | LSB |
| Differential Linearity Error | DNL | | | ± 0.5 | ± 1 | LSB |
| Offset Voltage | | At code 100 | | | ± 20 | LSB |
| Offset Voltage Tempco | | | | 15 | | ppm/ $^{\circ}C$ |
| Gain Error | | From code 100 to code 3996 | -0.6 | | +0.6 | % of FS |
| Gain Error Tempco | | From code 100 to code 3996 | | 4 | | ppm of FS/ $^{\circ}C$ |
| Power-Supply Rejection Ratio | PSRR | | | 0.4 | | mV/V |
| DYNAMIC CHARACTERISTICS | | | | | | |
| Output Voltage Slew Rate | SR | | | 1.6 | | V/ μs |
| Output Settling Time | | To ± 1 LSB, from 0 to full scale, output load capacitance of 250pF (Note 7) | | 40 | | μs |
| Settling Time After Current-Limit Condition | | | | 6 | | μs |
| Noise | | $f = 0.1Hz$ to 300kHz | | 3.8 | | mV _{P-P} |

DAC Electrical Specifications (continued)

($V_{AVDD} = 4.75V$ to $5.25V$, $V_{DVDD} = 3.3V$, $V_{AVDDIO} = +12.0V$, $V_{AGND} = V_{DGND} = 0V$, $V_{AVSSIO} = -2.0V$, $V_{DACREF} = 2.5V$, $V_{ADCREf} = 2.5V$ (Internal), $f_S = 400ksps$, 10V analog input range set to range 1 (0 to +10V). $T_A = -40^\circ C$ to $+105^\circ C$, unless otherwise noted. Typical values are at $T_A = +25^\circ C$.) (Note 2)

| PARAMETER | SYMBOL | CONDITIONS | MIN | TYP | MAX | UNITS |
|-----------------------|--------|------------|-----|-----|-----|-------|
| TRACK-AND-HOLD | | | | | | |
| Digital Feedthrough | | | | 5 | | nV·s |
| Hold Step | | | | 1 | 6 | mV |
| Droop Rate (note 6) | | | | 0.3 | 15 | mV/s |

Interface Digital IO Electrical Specifications

($V_{AVDD} = 5.0V$, $V_{DVDD} = 1.62V$ to $5.50V$, $V_{AVDDIO} = +12.0V$, $V_{AGND} = V_{DGND} = 0V$, $V_{AVSSIO} = -2.0V$, $V_{DACREF} = 2.5V$, $V_{ADCREf} = 2.5V$ (Internal), $f_S = 400ksps$, 10V analog input range set to range 1 (0 to +10V). $T_A = -40^\circ C$ to $+105^\circ C$, unless otherwise noted. Typical values are at $T_A = +25^\circ C$.) (Note 2)

| PARAMETER | SYMBOL | CONDITIONS | MIN | TYP | MAX | UNITS |
|---|--------|---|-----------------------------|-----|-----------------------------|---------|
| SPI IO DC SPECIFICATION | | | | | | |
| Input High Voltage (DIN, SCLK, CS, CNVT) | | $V_{DVDD} = 2.50V$ to $5.50V$ | $0.7 \times$ V_{DVDD} | | | V |
| | | $V_{DVDD} = 1.62V$ to $2.50V$ | $0.85 \times$ V_{DVDD} | | | V |
| Input Low Voltage (DIN, SCLK, CS, CNVT) | | $V_{DVDD} = 2.50V$ to $5.50V$ | | | $0.3 \times$ V_{DVDD} | V |
| | | $V_{DVDD} = 1.62V$ to $2.50V$ | | | $0.15 \times$ V_{DVDD} | V |
| Input Leakage Current (DIN, SCLK, CS, CNVT, INT) | | Input voltage at DVDD | -10 | | +10 | μA |
| Input Capacitance (DIN, SCLK, CS, CNVT) | | | | 10 | | pF |
| Output High Voltage (DOUT) | | $I_{SRC} = 5mA$, $V_{DVDD} = 2.50V$ to $5.50V$ | $V_{DVDD} -$ 0.5 | | | V |
| | | $I_{SRC} = 2mA$, $V_{DVDD} = 1.62V$ to $2.50V$ | $V_{DVDD} -$ 0.3 | | | V |
| Output Low Voltage (DOUT, INT) | | $I_{SNK} = 5mA$, $V_{DVDD} = 2.50V$ to $5.50V$ | | | 0.4 | V |
| | | $I_{SNK} = 2mA$, $V_{DVDD} = 1.62V$ to $2.50V$ | | | 0.2 | V |
| Output Leakage Current (DOUT) | | | -10 | | +10 | μA |

Interface Digital IO Electrical Specifications (continued)

($V_{AVDD} = 5.0V$, $V_{DVDD} = 1.62V$ to $5.50V$, $V_{AVDDIO} = +12.0V$, $V_{AGND} = V_{DGND} = 0V$, $V_{AVSSIO} = -2.0V$, $V_{DACREF} = 2.5V$, $V_{ADCREf} = 2.5V$ (Internal), $f_S = 400kps$, 10V analog input range set to range 1 (0 to +10V). $T_A = -40^{\circ}C$ to $+105^{\circ}C$, unless otherwise noted. Typical values are at $T_A = +25^{\circ}C$.) (Note 2)

| PARAMETER | SYMBOL | CONDITIONS | MIN | TYP | MAX | UNITS |
|--|------------|-------------------------------|-----|-----|-----|-------|
| SPI TIMING REQUIREMENTS (See Figures 1 and 2) | | | | | | |
| SCLK Frequency | f_{SCLK} | $V_{DVDD} = 2.50V$ to $5.50V$ | | | 20 | MHz |
| | | $V_{DVDD} = 1.62V$ to $2.50V$ | | | 10 | MHz |
| SCLK Clock Period | t_{CP} | $V_{DVDD} = 2.50V$ to $5.50V$ | 50 | | | ns |
| | | $V_{DVDD} = 1.62V$ to $2.50V$ | 100 | | | ns |
| SCLK Pulse-Width High | t_{CH} | | 10 | | | ns |
| SCLK Pulse-Width Low | t_{CL} | $V_{DVDD} = 2.50V$ to $5.50V$ | 25 | | | ns |
| | | $V_{DVDD} = 1.62V$ to $2.50V$ | 65 | | | ns |
| \overline{CS} Low to First SCLK Rise Setup | t_{CSS0} | | 5 | | | ns |
| 24th SCLK Rising Edge to \overline{CS} Rising Edge | t_{CSS1} | | 5 | | | ns |
| SCLK Rise to \overline{CS} Low | t_{CSH0} | | 5 | | | ns |
| \overline{CS} Pulse-Width High | t_{CSW} | | 50 | | | ns |
| DIN to SCLK Setup | t_{DS} | | 5 | | | ns |
| DIN Hold After SCLK | t_{DH} | | 5 | | | ns |
| DOUT Transition Valid After SCLK Fall | t_{DOT} | $V_{DVDD} = 2.50V$ to $5.50V$ | | | 23 | ns |
| | | $V_{DVDD} = 1.62V$ to $2.50V$ | | | 55 | ns |
| \overline{CS} Rise to DOUT Disable | t_{DOD} | $C_{LOAD} = 20pF$ | | | 50 | ns |

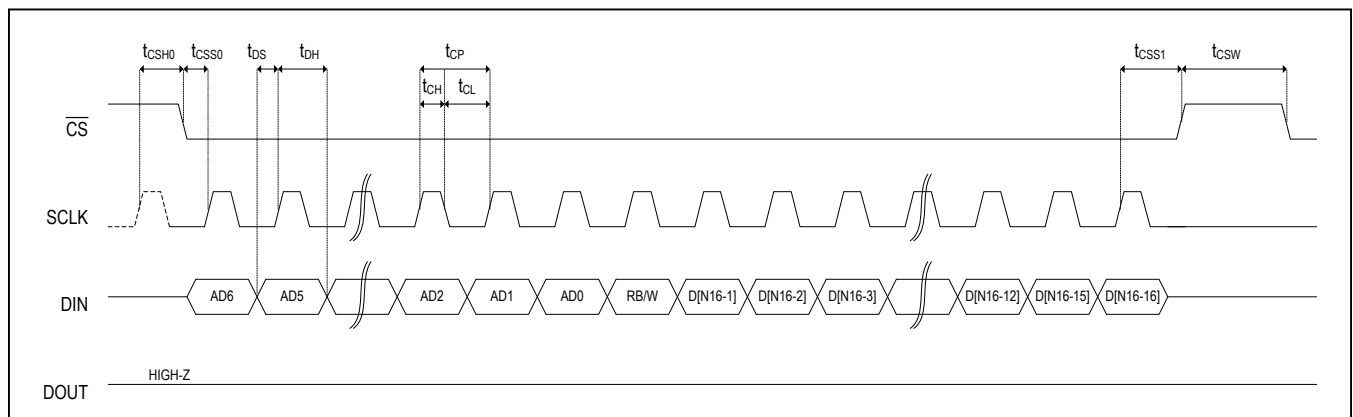


Figure 1. SPI Write Timing ($N =$ Number of Words Written; $N > 1$ for Burst Mode)

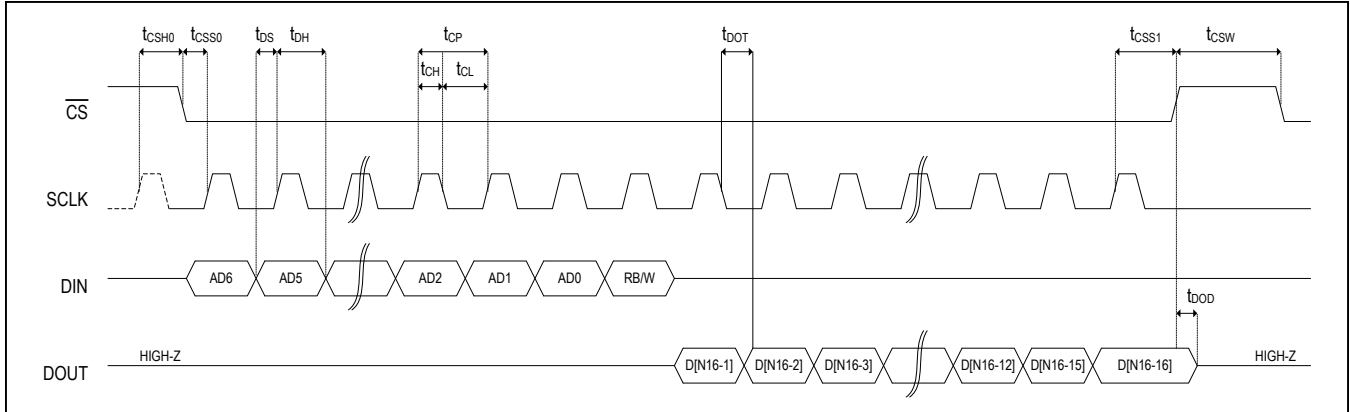


Figure 2. SPI Read Timing (N = Number of Words Written; N > 1 for Burst Mode)

Internal and External Temperature Sensor Specifications

(V_{AVDD} = 4.75V to 5.25V, V_{DVDD} = 3.3V, V_{AVDDIO} = +12.0V, V_{AGND} = V_{DGND} = 0V, V_{AVSSIO} = -2.0V, V_{DACREF} = 2.5V, V_{ADCREf} = 2.5V (Internal), f_S = 400ksps, 10V analog input range set to range 1 (0 to +10V). T_A = -40°C to +105°C, unless otherwise noted. Typical values are at T_A = +25°C.) (Note 2)

| PARAMETER | SYMBOL | CONDITIONS | MIN | TYP | MAX | UNITS |
|--|--------|-------------------------------------|-----|-------|------|-------|
| ACCURACY | | | | | | |
| Accuracy of Internal Sensor (Note 6,8) | | 0°C ≤ T _J ≤ +80°C | | ±0.3 | ±2.0 | °C |
| | | -40°C ≤ T _J ≤ +125°C | | ±0.7 | ±5 | °C |
| Accuracy of External Sensor (Note 6,8) | | 0°C ≤ T _{RJ} ≤ +80°C | | ±0.3 | ±2.0 | °C |
| | | -40°C ≤ T _{RJ} ≤ +150°C | | ±1.0 | ±5 | °C |
| Temperature Measurement Resolution | | | | 0.125 | | °C |
| External Sensor Junction Current | High | | | 68 | | μA |
| | Low | | | 4 | | μA |
| External Sensor Junction Current | High | Series resistance cancellation mode | | 136 | | μA |
| | Low | Series resistance cancellation mode | | 8 | | μA |
| D0N/D1N Voltage (Internally Generated) | | | | 0.5 | | V |

Power Supply Specifications

| PARAMETER | SYMBOL | CONDITIONS | MIN | TYP | MAX | UNITS |
|------------------------------|--------|----------------------------------|------------|-----|-------|---------|
| V_{AVDD} | | | 4.75 | | 5.25 | V |
| V_{DVDD} | | | 1.62 | | 5.50 | V |
| V_{AVDDIO} | | | V_{AVDD} | | 15.75 | V |
| V_{AVSSIO} | | | -12.0 | | 0 | V |
| V_{AVDDIO} to V_{AVSSIO} | | | V_{AVDD} | | 24 | V |
| I_{AVDD} | | All ports in high-impedance mode | | 14 | 18 | mA |
| | | LPEN = 1 | | 11 | | mA |
| | | All ports in ADC-related modes | | 17 | | mA |
| | | All ports in DAC-related modes | | 18 | | mA |
| I_{DVDD} | | Serial interface in idle mode | | | 2 | μ A |
| I_{AVDDIO} | | All ports in mode 0 | | | 150 | μ A |
| I_{AVSSIO} | | All ports in mode 0 | -400 | | | μ A |

Recommended VDDIO/VSSIO Supply Selection

| | | ADC RANGE | | | |
|-----------|------------|--|---|--|---|
| | | -10V TO 0V | -5V TO +5V | 0V TO +10V | 0 TO 2.5V |
| DAC RANGE | -10V TO 0V | $V_{AVDDIO} = +5V$ $V_{AVSSIO} = -12V$ | $V_{AVDDIO} = +5V$ $V_{AVSSIO} = -12V$ | $V_{AVDDIO} = +10V$ $V_{AVSSIO} = -12V$ | $V_{AVDDIO} = +5V$ $V_{AVSSIO} = -12V$ |
| | -5V TO +5V | $V_{AVDDIO} = +7V$ $V_{AVSSIO} = -10V$ | $V_{AVDDIO} = +7V$ $V_{AVSSIO} = -7V$ | $V_{AVDDIO} = +10V$ $V_{AVSSIO} = -7V$ | $V_{AVDDIO} = +7V$ $V_{AVSSIO} = -7V$ |
| | 0V TO +10V | $V_{AVDDIO} = +12V$ $V_{AVSSIO} = -10V$ | $V_{AVDDIO} = +12V$ $V_{AVSSIO} = -5V$ | $V_{AVDDIO} = +12V$ $V_{AVSSIO} = -2V$ | $V_{AVDDIO} = +12V$ $V_{AVSSIO} = -2V$ |

The values of V_{AVDDIO} and V_{AVSSIO} supply voltages depend on the application circuit and the device configuration.

V_{AVDDIO} needs to be the maximum of those four values:

- If one or more ports are in mode 3, 4, 5, 6, or 10 (DAC-related modes), V_{AVDDIO} must be set, at minimum, to the value of the largest voltage driven by any of the ports set in those modes. For improved linearity, it is recommended to set V_{AVDDIO} 2.0V above the largest voltage value.
- If one or more ports are in mode 7, 8, or 9 (ADC-related modes), V_{AVDDIO} must be set, at minimum, to the value of the largest voltage applied to any of the ports set in those modes.
- If one or more ports are in mode 11 or 12 (Analog switch-related modes), V_{AVDDIO} must be set, at minimum, to 2.0V above the value of the largest voltage applied to any of the ports functioning as analog switch terminals.
- V_{AVDDIO} cannot be set lower than V_{AVDD} .

V_{AVSSIO} needs to be the minimum of those four values:

- If one or more ports are in mode 3, 4, 5, 6, or 10 (DAC-related modes), V_{AVSSIO} must be set, at maximum, to the value of the lowest voltage driven by any of the ports set in those modes. For improved linearity, it is recommended to set V_{AVSSIO} 2.0V below the lowest voltage value.
- If one or more ports are in mode 7, 8, or 9 (ADC-related modes), V_{AVSSIO} must be set, at maximum, to the value of the lowest voltage applied to any of the ports set in those modes.

Recommended VDDIO/VSSIO Supply Selection (continued)

- If one or more ports are in mode 11 or 12 (Analog Switch-related modes), V_{AVSSIO} must be set, at maximum, to 2.0V below the value of the lowest voltage applied to any of the ports functioning as analog switch terminals.
- V_{AVSSIO} cannot be set higher than V_{AGND} .

For example, the MAX11300 can operate with only one voltage supply of 5V ($\pm 5\%$) connected to AVDD, AVDDIO, and DVDD, and one ground of 0V connected to AGND, DGND, and AVSSIO. However, the level of performance presented in the electrical specifications requires the setting of the supplies connected to AVDDIO and AVSSIO as previously described.

Common PIXI Electrical Specifications

($V_{AVDD} = 4.75V$ to $5.25V$, $V_{DVDD} = 3.3V$, $V_{AVDDIO} = +12.0V$, $V_{AGND} = V_{DGND} = 0V$, $V_{AVSSIO} = -2.0V$, $V_{DACREF} = 2.5V$, $V_{ADCREF} = 2.5V$ (Internal), $f_S = 400ksps$, 10V analog input range set to range 1 (0 to +10V). $T_A = -40^\circ C$ to $+105^\circ C$, unless otherwise noted. Typical values are at $T_A = +25^\circ C$.) (Note 2)

| PARAMETER | SYMBOL | CONDITIONS | MIN | TYP | MAX | UNITS |
|---|--------|--|--------------------|-----|--------------------|------------|
| PIXI PORTS | | | | | | |
| Input Capacitance | | All PIXI ports | | 20 | | pF |
| Input Resistance | | All PIXI input ports except ADC mode | 50 | 75 | 100 | k Ω |
| Startup Time | | Between stable supplies and accessing registers | | | 100 | ms |
| HIGH-VOLTAGE OUTPUT DRIVER CHARACTERISTICS | | | | | | |
| Maximum Output Capacitance | | | | | 250 | pF |
| Output Low Voltage, DAC Mode | | Sinking 25mA, $V_{AVSSIO} = 0V$, $V_{AVDDIO} = 10V$ | | | $V_{AVSSIO} + 1.0$ | V |
| Output High Voltage, DAC Mode | | Sourcing 25mA, $V_{AVSSIO} = 0V$, $V_{AVDDIO} = 10V$ | $V_{AVDDIO} - 1.5$ | | | V |
| Output Low Voltage, GPO Mode | | Sinking 2mA, $V_{AVSSIO} = 0V$, $V_{AVDDIO} = 10V$ | | | $V_{AVSSIO} + 0.4$ | V |
| Output High Voltage, GPO Mode | | Sourcing 2mA, $V_{AVSSIO} = 0V$, $V_{AVDDIO} = 10V$ | $V_{AVDDIO} - 0.4$ | | | V |
| Current Limit | | Short to AVDDIO | | 75 | | mA |
| | | Short to AVSSIO | | 75 | | mA |

Note 2: Electrical specifications are production tested at $T_A = +25^\circ C$. Specifications over the entire operating temperature range are guaranteed by design and characterization. Typical specifications are at $T_A = +25^\circ C$.

Note 3: DC accuracy specifications are tested for single-ended ADC inputs only.

Note 4: The effective ADC sample rate for port X configured in mode 6, 7, or 8 is:

$$[\text{ADC sample rate per ADCCONV}] / ([\text{number of ports in modes 6,7,8}] + [1 \text{ if TMPSEL} \neq 000]) \times [2\# \text{ OF SAMPLES for port X}]$$

Note 5: See the *Recommended VDDIO/VSSIO Supply Selection* table for each range. For ports in modes 6, 7, 8, or 9, the voltage applied to those ports must be within the limits of their selected input range, whether in single-ended or differential mode.

Note 6: Specification is guaranteed by design and characterization.

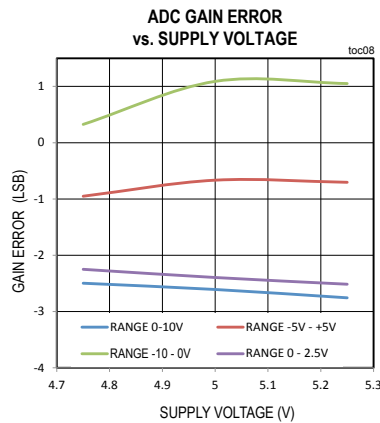
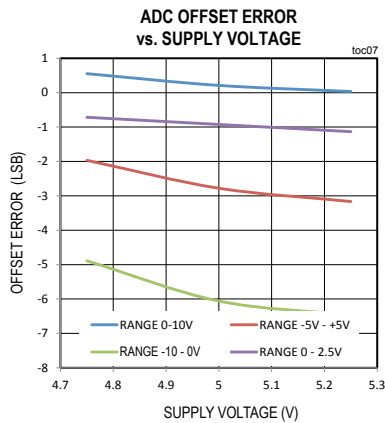
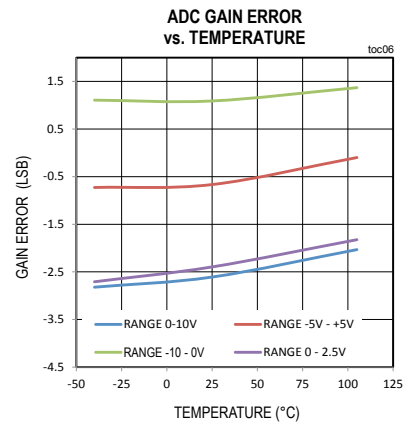
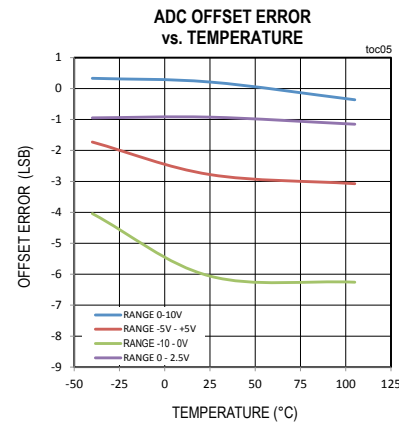
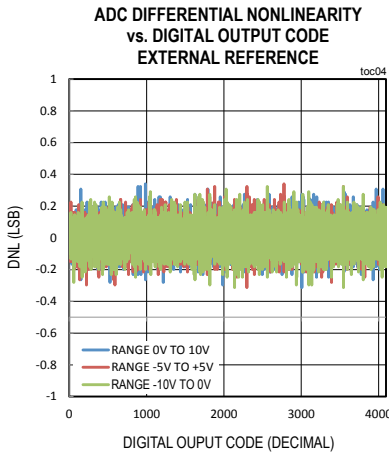
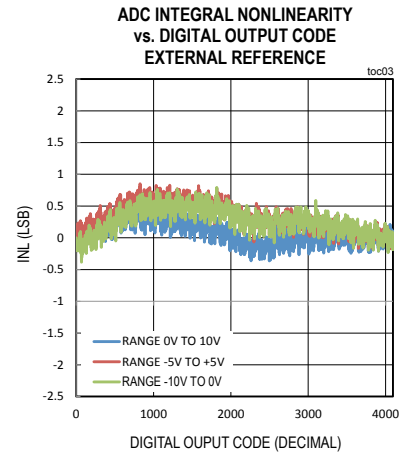
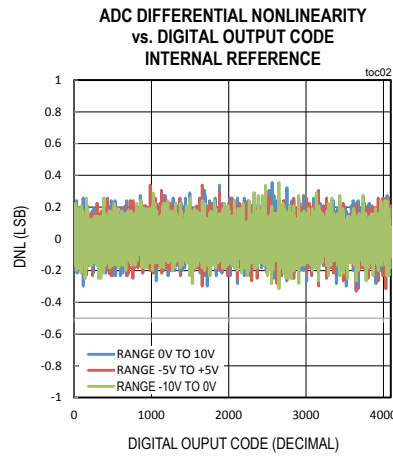
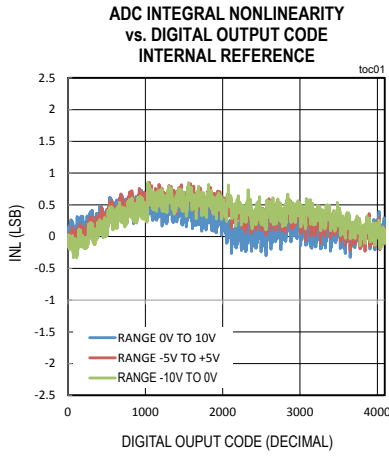
Note 7: In DAC-related modes, the rate, at which PIXI ports configured in mode 1, 3, 4, 5, 6, or 10 are refreshed, is as follows:

$$1 / (40\mu s \times [\text{number of ports in modes 1, 3, 4, 5, 6, 10}])$$

Note 8: Typical (TYP) values represent the errors at the extremes of the given temperature range.

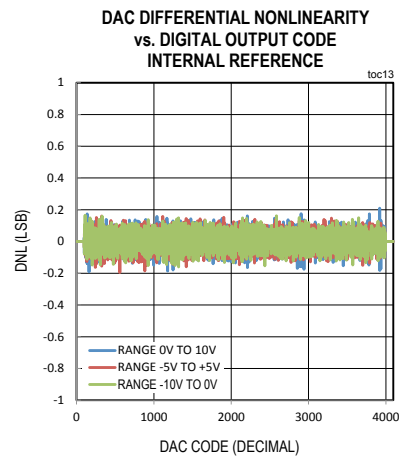
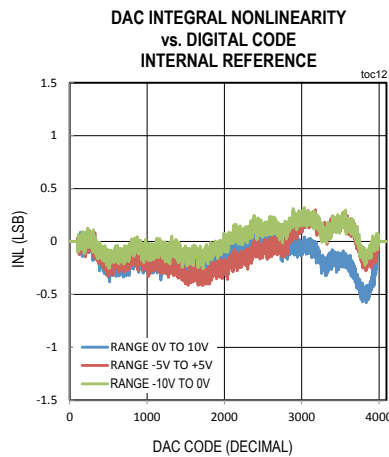
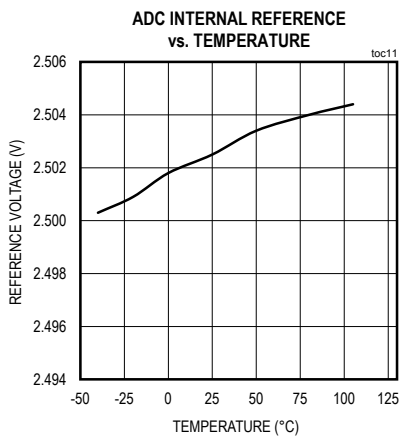
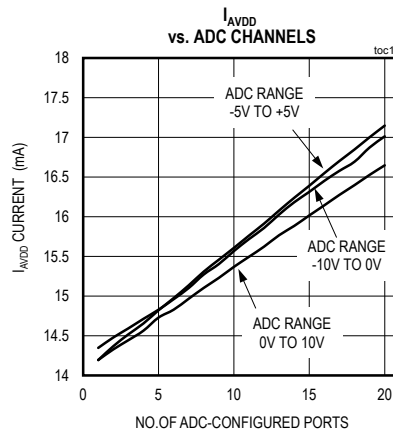
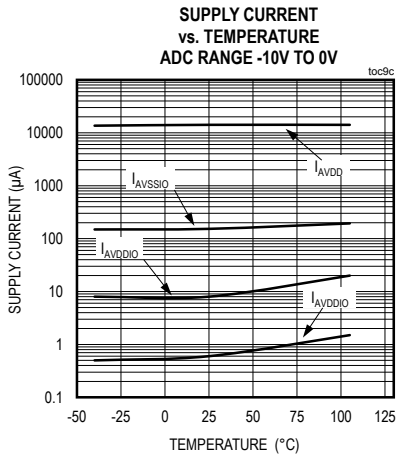
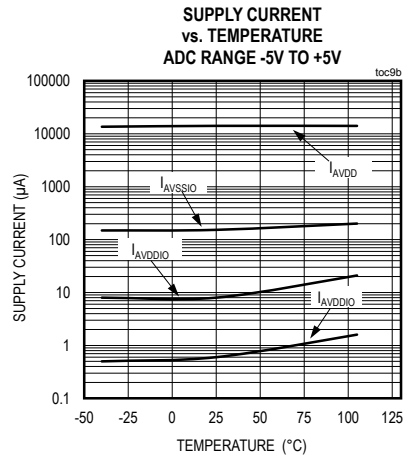
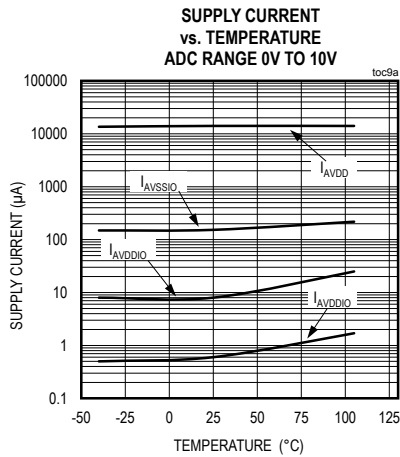
Typical Operating Characteristics

(T_A = +25°C, unless otherwise noted.)



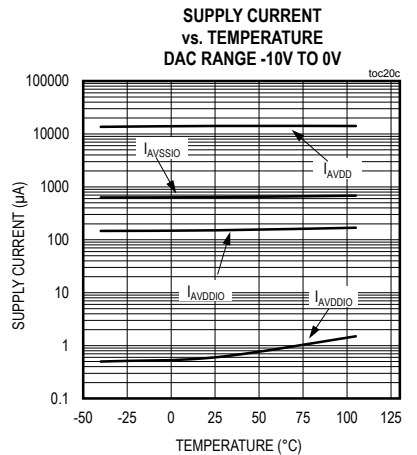
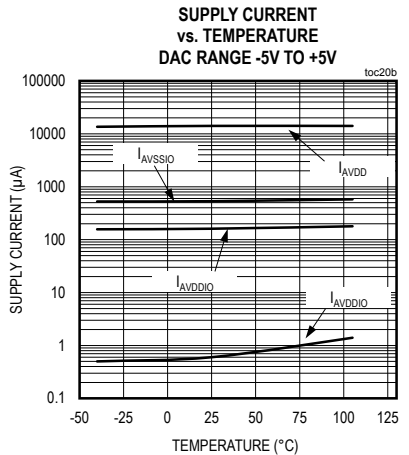
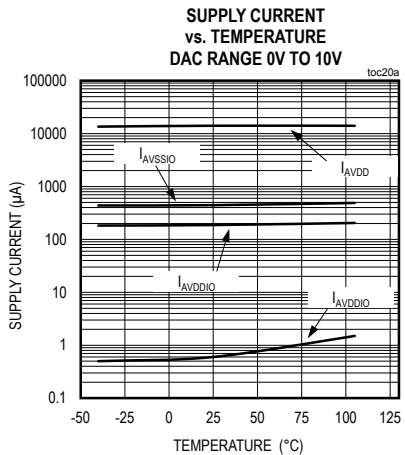
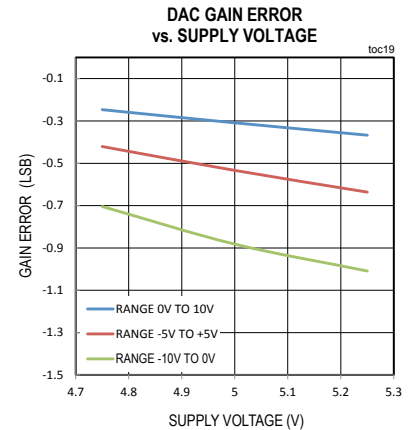
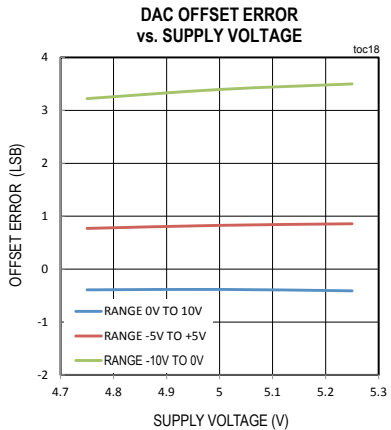
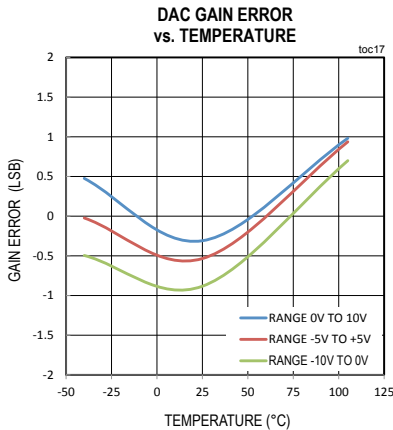
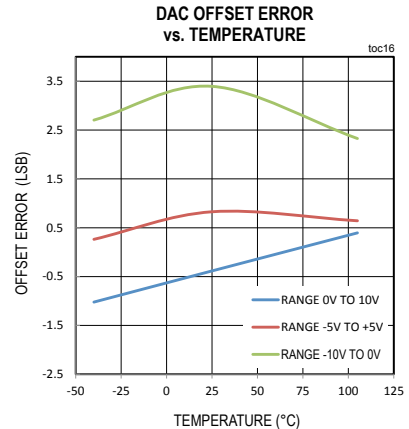
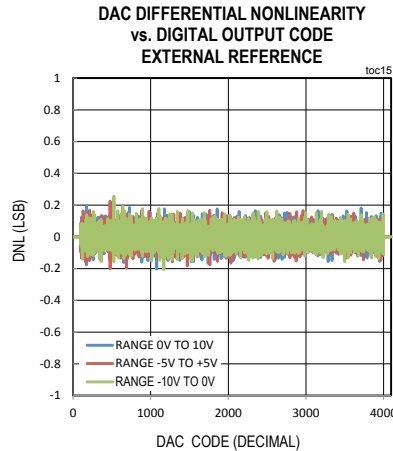
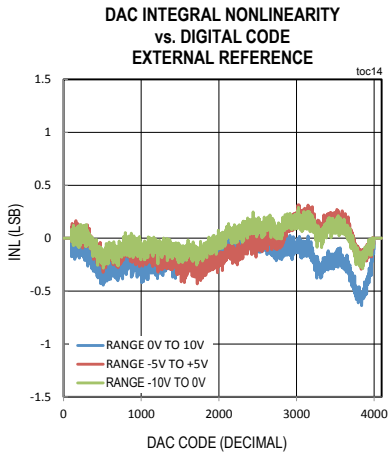
Typical Operating Characteristics (continued)

(T_A = +25°C, unless otherwise noted.)



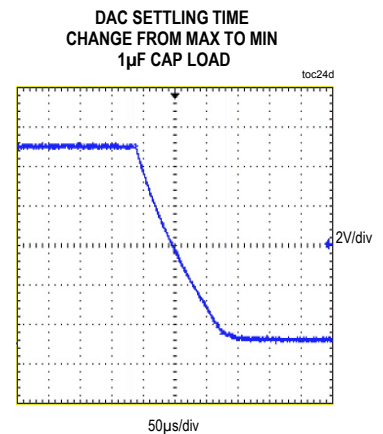
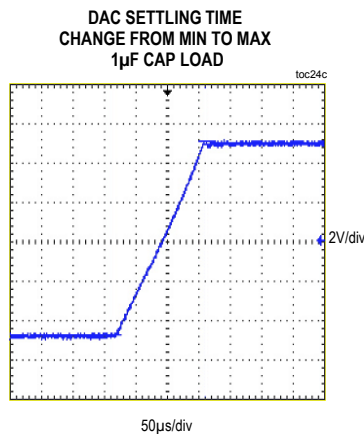
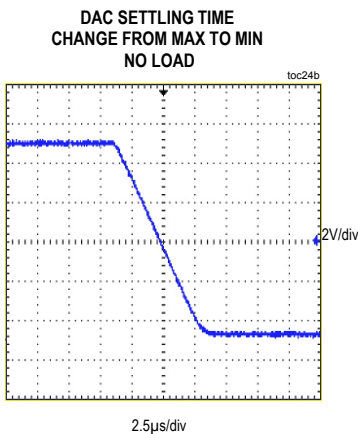
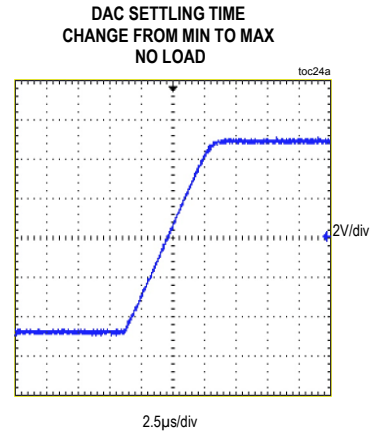
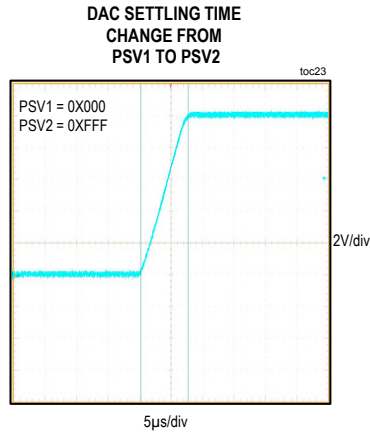
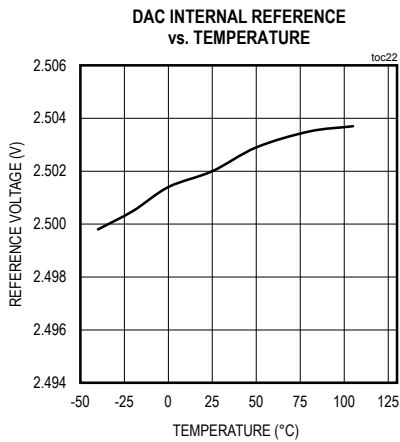
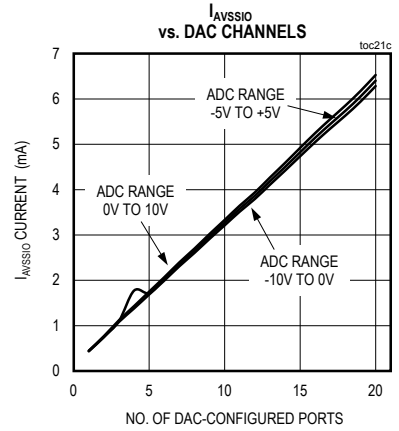
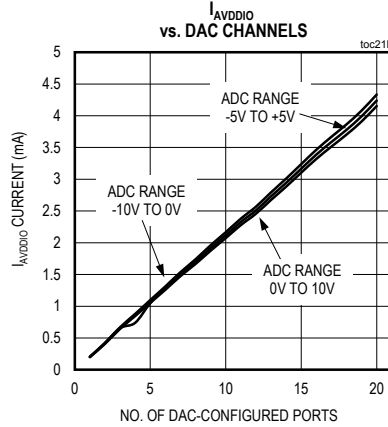
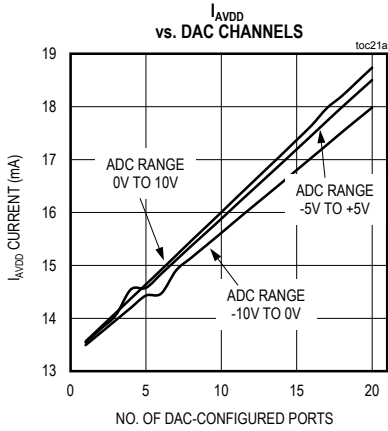
Typical Operating Characteristics (continued)

(T_A = +25°C, unless otherwise noted.)



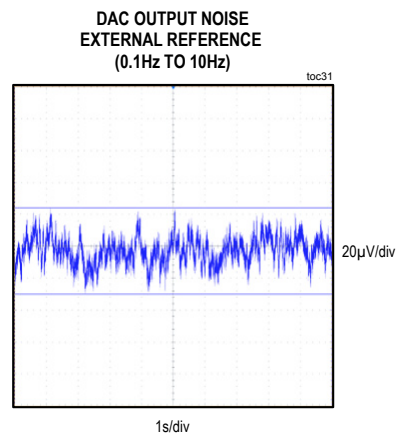
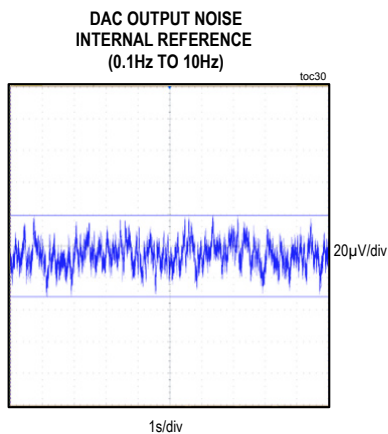
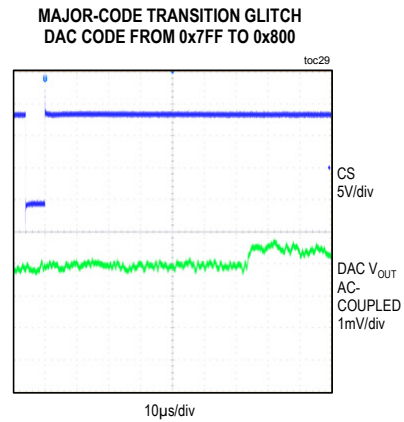
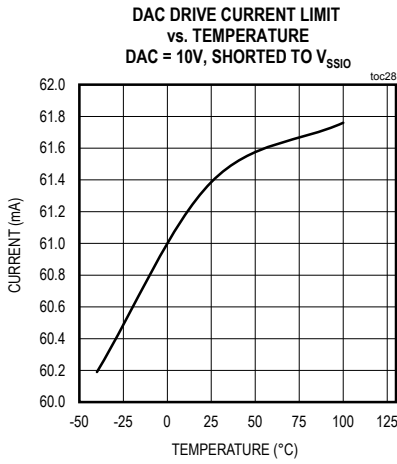
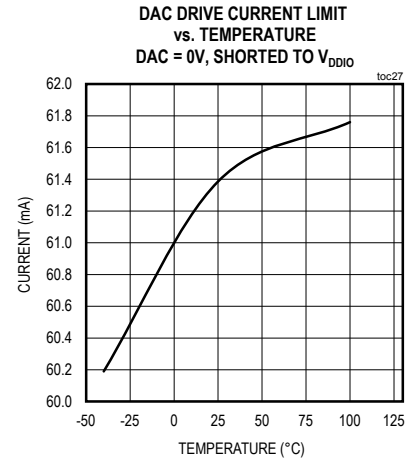
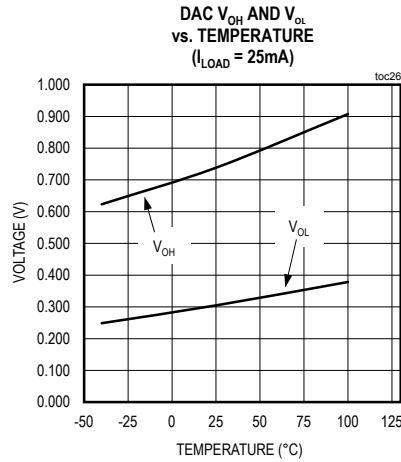
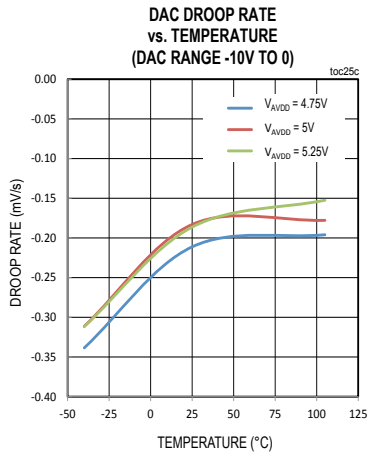
Typical Operating Characteristics (continued)

(TA = +25°C, unless otherwise noted.)



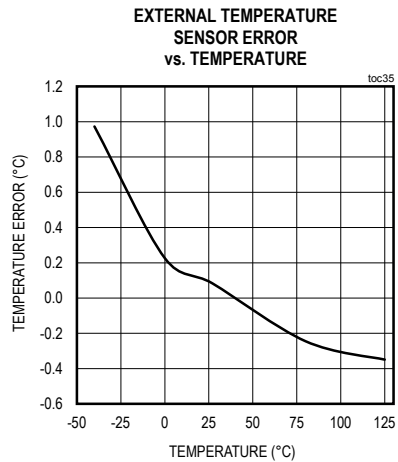
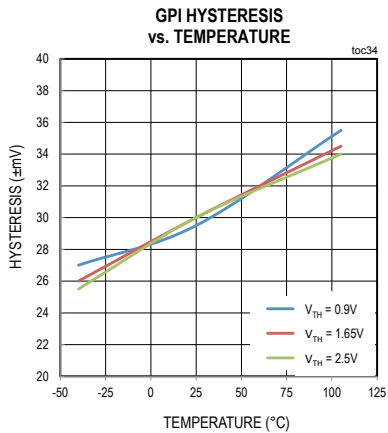
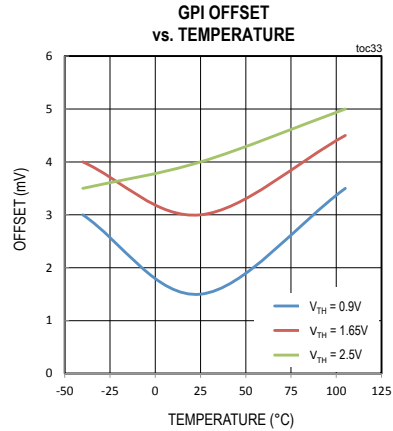
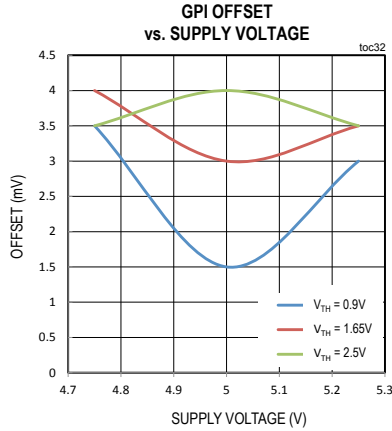
Typical Operating Characteristics (continued)

(T_A = +25°C, unless otherwise noted.)

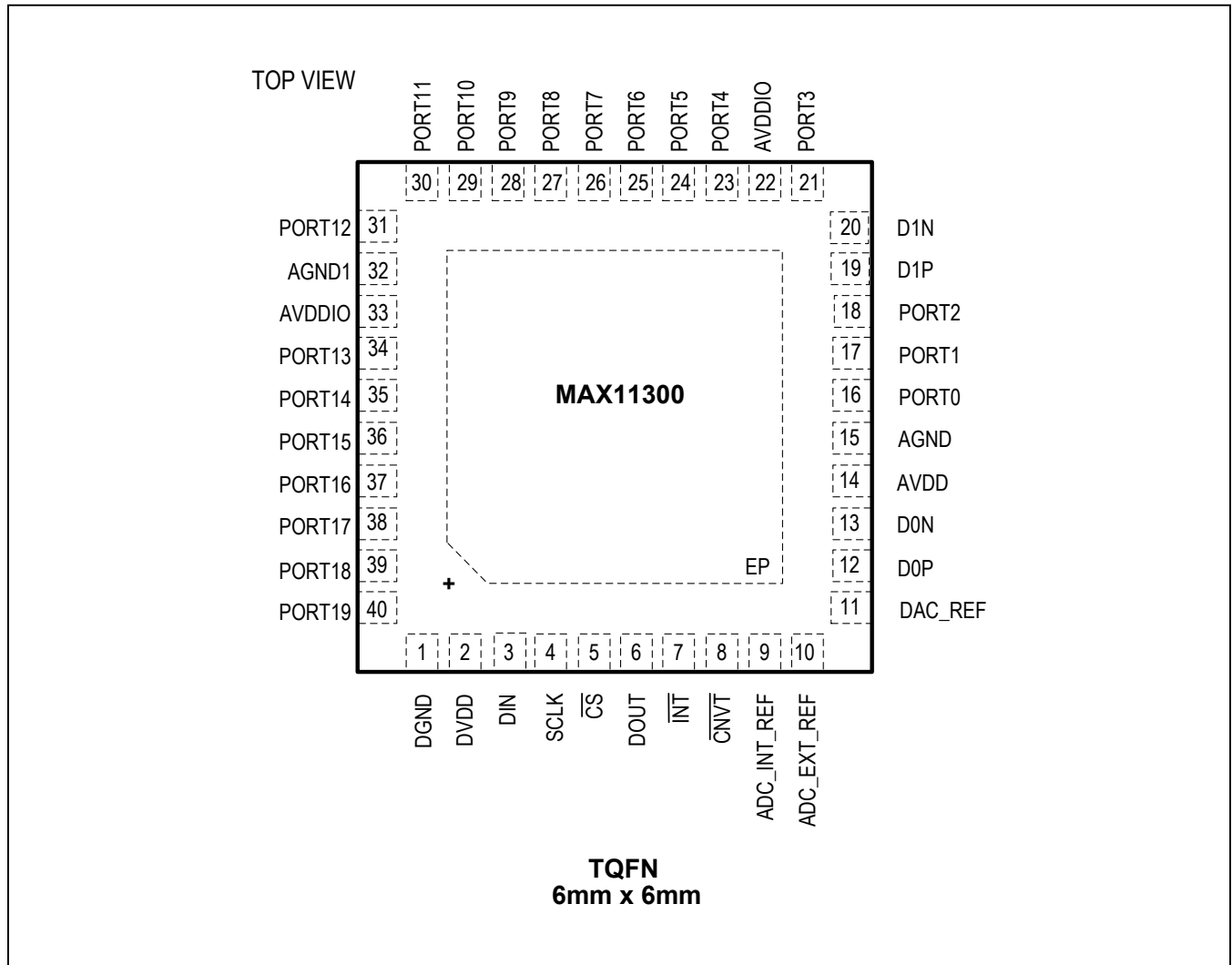


Typical Operating Characteristics (continued)

(T_A = +25°C, unless otherwise noted.)



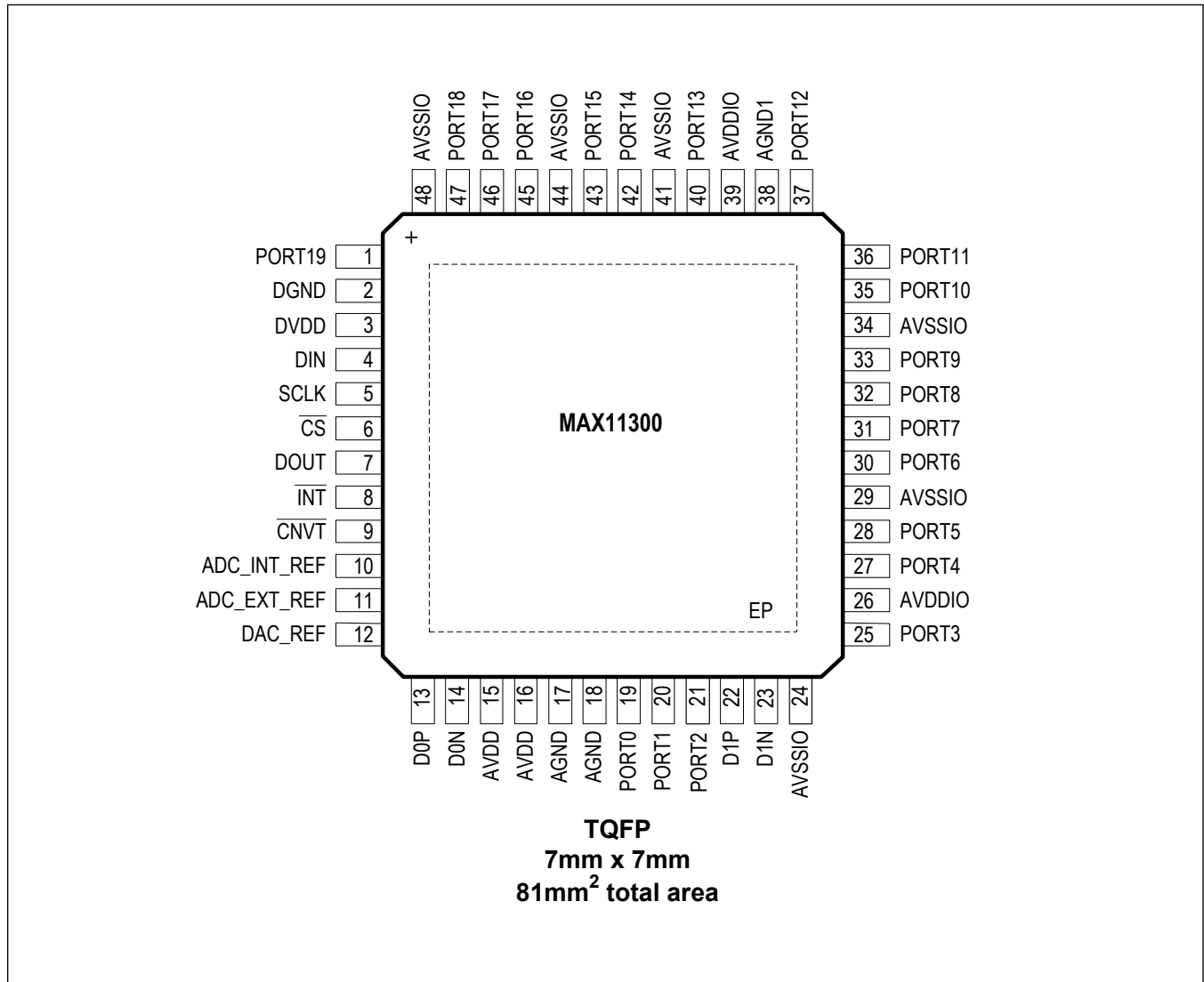
Pin Configurations



MAX11300

PIXI, 20-Port Programmable Mixed-Signal I/O with 12-Bit ADC, 12-Bit DAC, Analog Switches, and GPIO

Pin Configurations (continued)



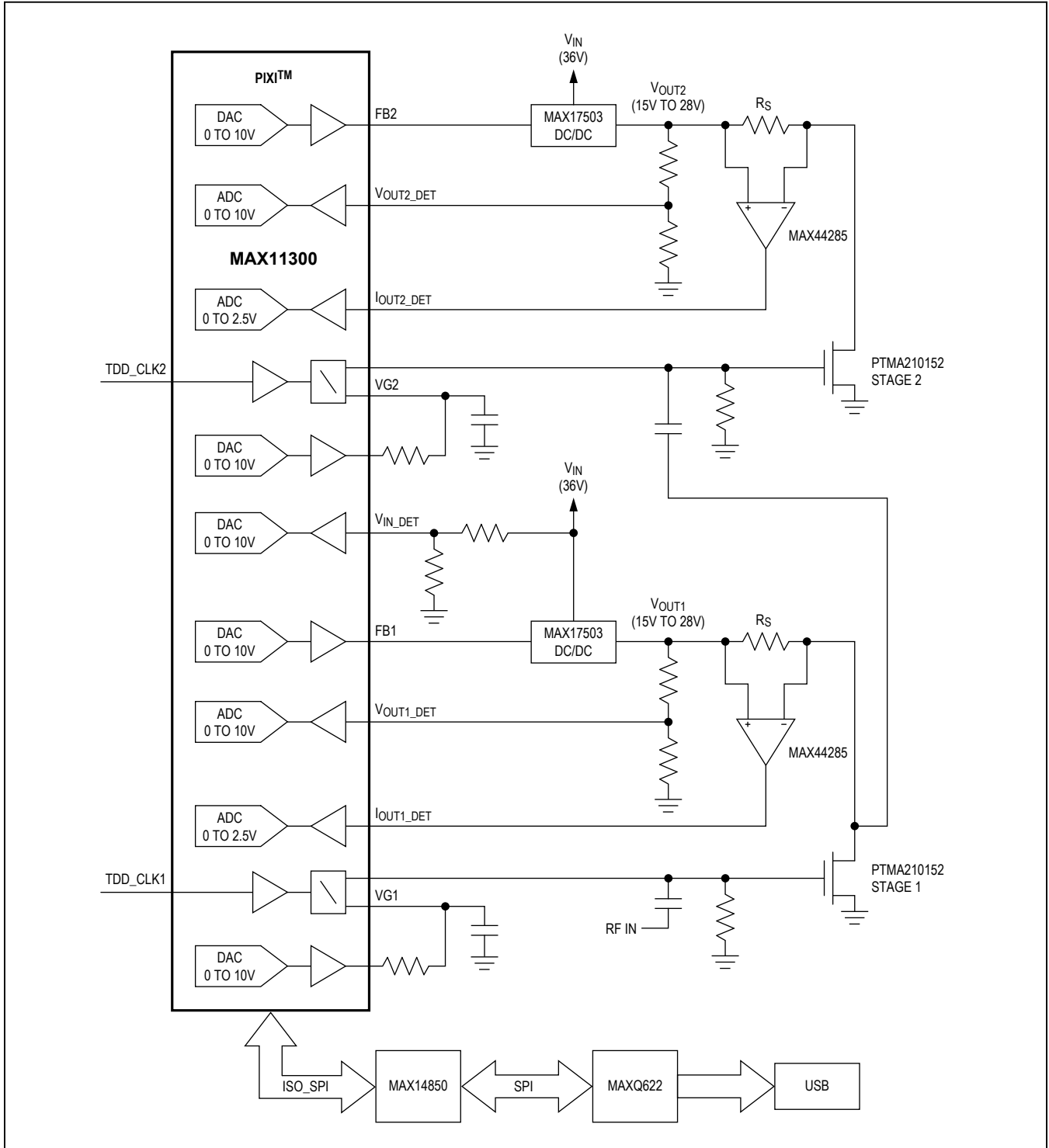
Pin Description

| PIN | | NAME | FUNCTION |
|--------|--------|--------------------------|--|
| TQFN | TQFP | | |
| 1 | 2 | DGND | Digital Ground |
| 2 | 3 | DVDD | Positive Digital Supply |
| 3 | 4 | DIN | Serial Interface Data Input |
| 4 | 5 | SCLK | Serial Interface Clock Input |
| 5 | 6 | $\overline{\text{CS}}$ | Serial Interface Chip-Select—Active Low |
| 6 | 7 | DOUT | Serial Interface Data Output |
| 7 | 8 | $\overline{\text{INT}}$ | Interrupt Open-Drain Output. Active low. |
| 8 | 9 | $\overline{\text{CNVT}}$ | ADC Trigger Control Input. Active low. |
| 9 | 10 | ADC_INT_REF | ADC Internal Voltage Reference Output. Connect a bypass capacitor at this pin (4.7 μ F to 10 μ F). |
| 10 | 11 | ADC_EXT_REF | ADC External Voltage Reference Input. Connect a bypass capacitor at this pin (4.7 μ F recommended). |
| 11 | 12 | DAC_REF | DAC External/Internal Voltage Reference Input. Connect a bypass capacitor at this pin (4.7 μ F to 10 μ F). |
| 12 | 13 | D0P | 1st External Temperature Sensor Positive Input |
| 13 | 14 | D0N | 1st External Temperature Sensor Negative Input |
| 14 | 15, 16 | AVDD | Positive Analog Supply. For TQFP, connect both pins to AVDD. |
| 15 | 17, 18 | AGND | Analog Ground. For TQFP, connect both pins to AGND. |
| 16 | 19 | PORT0 | Configurable Mixed-Signal Port 0 |
| 17 | 20 | PORT1 | Configurable Mixed-Signal Port 1 |
| 18 | 21 | PORT2 | Configurable Mixed-Signal Port 2 |
| 19 | 22 | D1P | 2nd External Temperature Sensor Positive Input |
| 20 | 23 | D1N | 2nd External Temperature Sensor Negative Input |
| 21 | 25 | PORT3 | Configurable Mixed-Signal Port 3 |
| 22, 33 | 26, 39 | AVDDIO | Analog Positive Supply For Mixed-Signal Ports. Connect both pins to AVDDIO. |
| 23 | 27 | PORT4 | Configurable Mixed-Signal Port 4 |
| 24 | 28 | PORT5 | Configurable Mixed-Signal Port 5 |
| 25 | 30 | PORT6 | Configurable Mixed-Signal Port 6 |
| 26 | 31 | PORT7 | Configurable Mixed-Signal Port 7 |
| 27 | 32 | PORT8 | Configurable Mixed-Signal Port 8 |
| 28 | 33 | PORT9 | Configurable Mixed-Signal Port 9 |
| 29 | 35 | PORT10 | Configurable Mixed-Signal Port 10 |
| 30 | 36 | PORT11 | Configurable Mixed-Signal Port 11 |
| 31 | 37 | PORT12 | Configurable Mixed-Signal Port 12 |
| 32 | 38 | AGND1 | Analog Ground. |

Pin Description (continued)

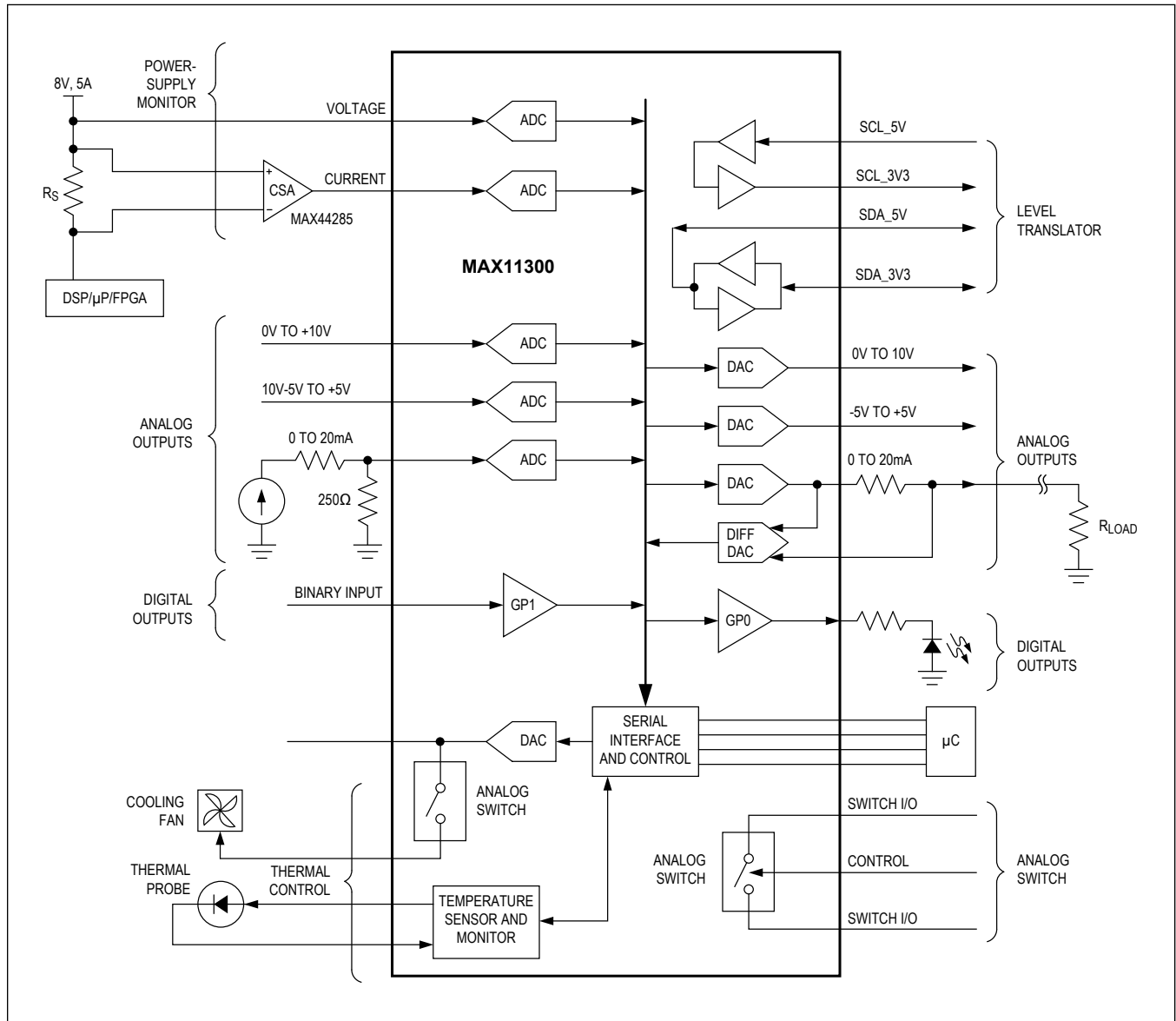
| PIN | | NAME | FUNCTION |
|------|------------------------------|--------|---|
| TQFN | TQFP | | |
| 34 | 40 | PORT13 | Configurable Mixed-Signal Port 13 |
| 35 | 42 | PORT14 | Configurable Mixed-Signal Port 14 |
| 36 | 43 | PORT15 | Configurable Mixed-Signal Port 15 |
| 37 | 45 | PORT16 | Configurable Mixed-Signal Port 16 |
| 38 | 46 | PORT17 | Configurable Mixed-Signal Port 17 |
| 39 | 47 | PORT18 | Configurable Mixed-Signal Port 18 |
| 40 | 1 | PORT19 | Configurable Mixed-Signal Port 19 |
| — | 24, 29, 34, 41, 44, 48 | AVSSIO | Analog Negative Supply for Mixed-Signal Ports. For TQFP, connect all pins to AVSSIO.. |
| — | — | EP | Exposed Pad. For TQFN, connect EP to AVSSIO. For TQFP, connect EP to AGND. |

Typical Application Circuits



PA Biasing Solution

Typical Application Circuits (continued)



Control and Monitoring Solution

Detailed Description

Functional Overview

The MAX11300 has 20 configurable mixed-signal I/O ports. Each port is independently configured as a DAC output, an ADC input, a GPI, a GPO, or an analog switch terminal. User-controllable parameters are available for each of those configurations. The device offers one internal and two external temperature sensors. The serial interface operates as a SPI Mode 0 interface.

The DAC is used to drive out a voltage defined by the DAC data register of the DAC-configured ports. The DAC uses either an internal or external voltage reference. The selection of the voltage reference is set for all the ports and cannot be configured on a port-by-port basis.

The ADC converts voltages applied to the ADC-configured ports. The ADC can operate in single-ended mode or in differential mode, by which any two ports can form a differential pair. The port configured as the negative input of the ADC can be used by more than one differential ADC input pairs. The ADC uses either an internal or external voltage reference. In some configurations, the ADC uses the DAC voltage reference. The ADC voltage reference selection can be configured on a port-by-port basis.

Interrupts provide the host with the occurrence of user-selected events through the configuration of an interrupt mask register.

ADC Operations

The ADC is a 12-bit, low-power, successive approximation analog-to-digital converter, capable of sampling a single input at up to 400kps. The ADC's conversion rate can be programmed to 400kps, 333kps, 250kps, or 200kps. The default conversion rate setting is 200kps. Each ADC-configured port can be programmed for one of four input voltage ranges: 0V to +10V, -5V to +5V, -10V to 0V, and 0V to +2.5V. The ADC uses the internal ADC 2.5V voltage reference, the external ADC voltage reference, or, in some cases, the DAC voltage reference. The voltage reference can be selected on a port-by-port basis.

ADC Control

The ADC can be triggered using an external signal $\overline{\text{CNVT}}$ or from a control bit. $\overline{\text{CNVT}}$ is active-low and must remain low for a minimal duration of 0.5 μs to trigger a conversion. Four configurations are available:

- Idle mode (default setting).
- Single sweep mode. The ADC sweeps sequentially the ADC-configured ports, from the lowest index port to the highest index port, once $\overline{\text{CNVT}}$ is asserted.
- Single conversion mode. The ADC performs a single conversion at the current port in the series of ADC-configured ports when $\overline{\text{CNVT}}$ is asserted.
- Continuous sweep mode. The ADC continuously sweeps the ADC-configured ports. The $\overline{\text{CNVT}}$ port has no effect in this mode.

ADC Averaging Function

ADC-configured ports can be configured to average blocks of 2, 4, 8, 16, 32, 64, or 128 conversion results. The corresponding ADC data register is updated only when the averaging is completed, thus decreasing the throughput proportionally. If the number of samples to average is modified for a given port, the content of the ADC data register for that port is cleared before starting to average the new block of samples.

ADC Mode Change

When users change the ADC active mode (continuous sweep, single sweep, or single conversion), the ADC data registers are reset. However, ADC data registers retain content when the ADC is changed to idle mode.

ADC Configurations

The ADC can operate in single-ended, differential, or pseudo-differential mode. In single-ended mode, the PIXI port is the positive input to the ADC while the negative input is grounded internally (Figure 3). In differential mode (Figure 4), any pair of PIXI ports can be configured as inputs to the differential ADC. In pseudo-differential mode (Figure 5), one PIXI port produces the voltage applied to the negative input of the ADC while another PIXI port forms the positive input.

The ADC data format is straight binary in single-ended mode, and two's complement in differential and pseudo-differential modes.

DAC Operations

The MAX11300 uses a 12-bit DAC, which operates at the rate of 40 μs per port. Since up to 20 ports can be configured in DAC-related modes, the minimum refresh rate per port is 1.25kHz.

No external component is required to set the offset and gain of the DAC drivers. The PIXI port driver features a wide output voltage range of $\pm 10\text{V}$ and high current capability with dedicated power supplies (AVDDIO, AVSSIO).

The DAC uses either the internal or external voltage reference. Unlike the ADC, the DAC voltage reference cannot be configured on a port-by-port basis. DAC mode configuration is illustrated in Figure 6.

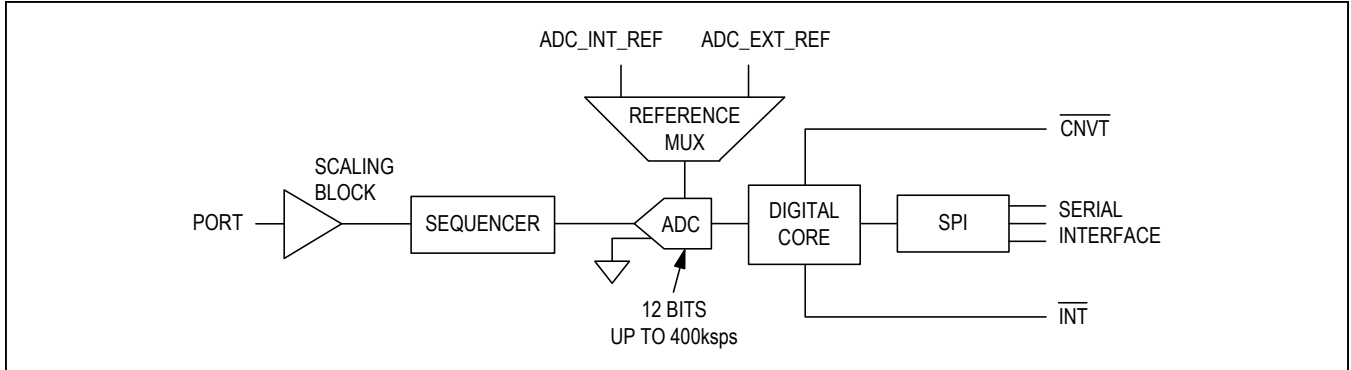


Figure 3. ADC with Single-Ended Input

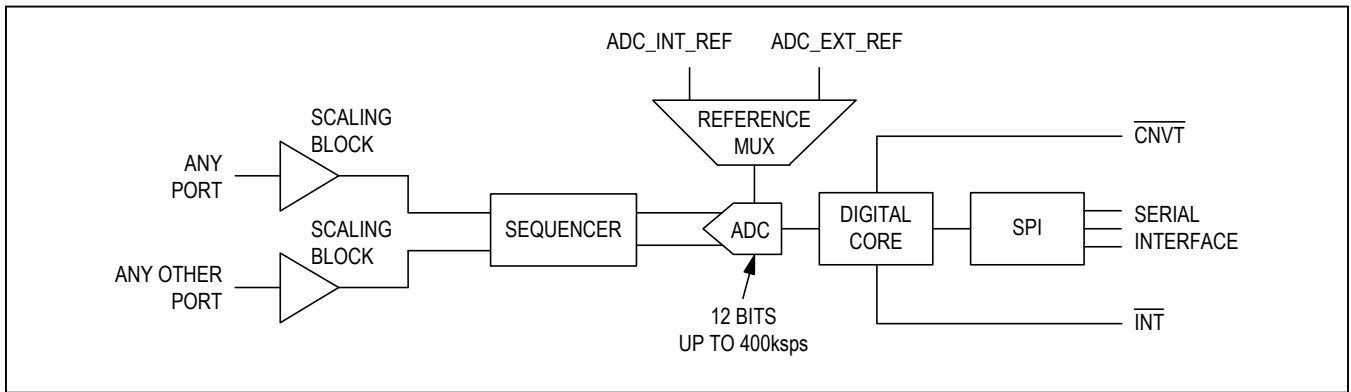


Figure 4. ADC with Differential Inputs

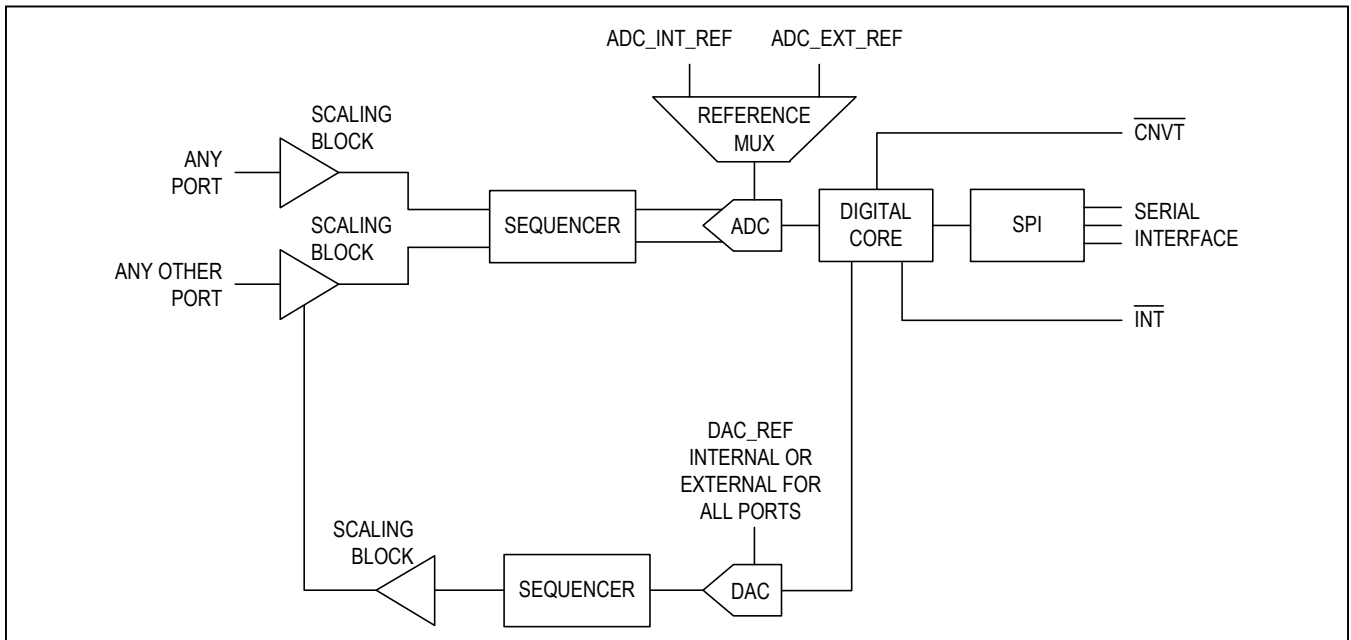


Figure 5. ADC with Pseudo-Differential Input Set by DAC

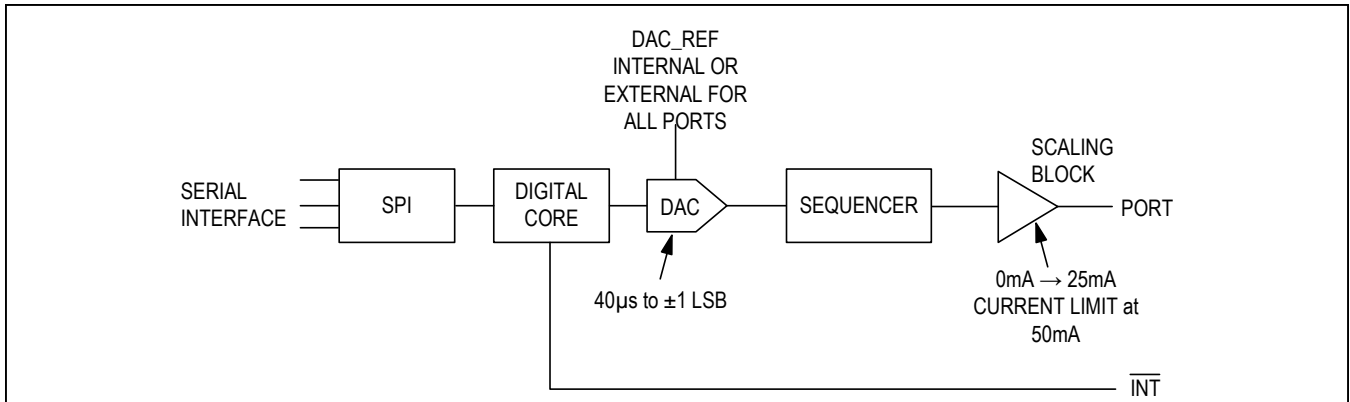


Figure 6. DAC Configuration

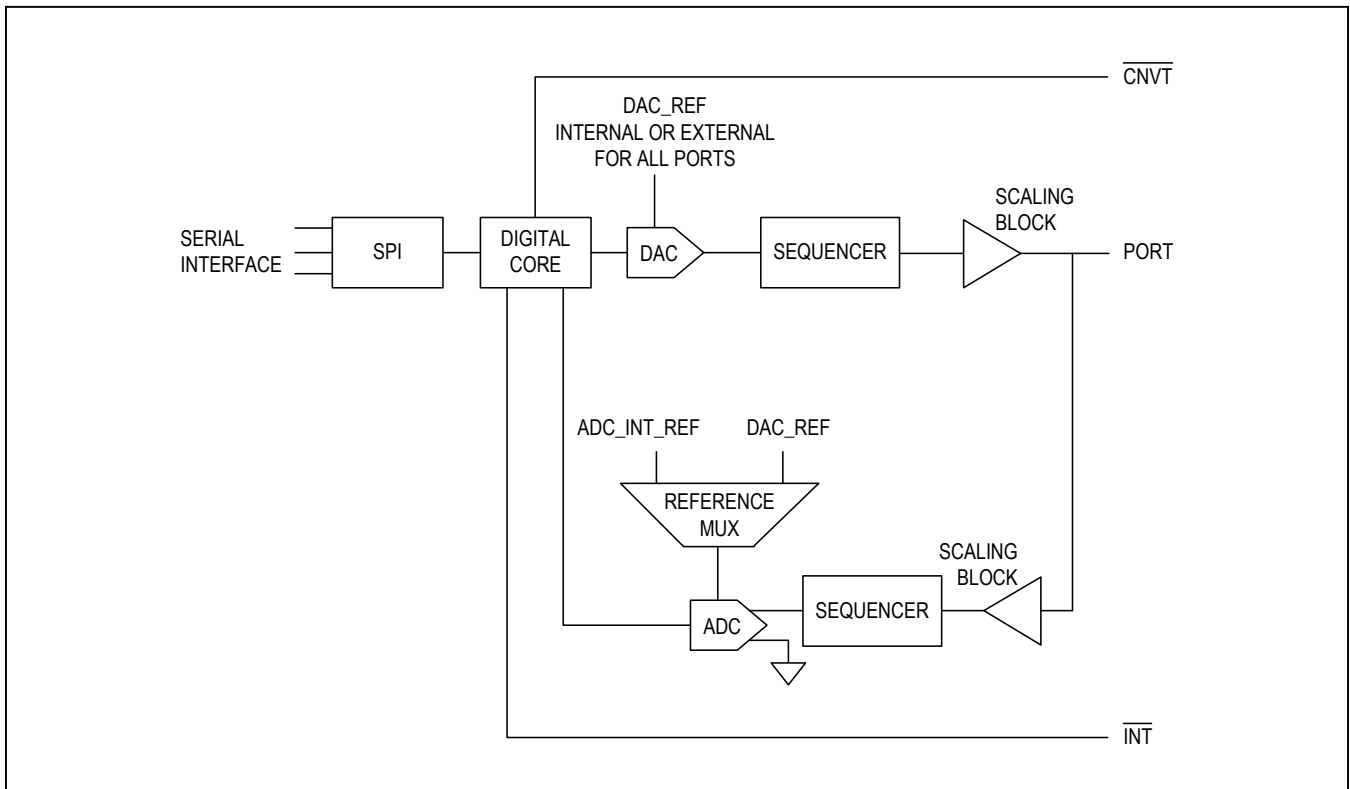


Figure 7. DAC Configuration with ADC Monitoring

DAC operations can be monitored by the ADC. In such a mode, the ADC samples the DAC-configured port to allow the host to monitor that the voltage at the port is within expectations given the accuracy of the ADC and DAC. This ADC monitoring mode is shown in [Figure 7](#).

By default, the DAC updates the DAC-configured ports sequentially. However, users can configure the DAC so that

its sequence can jump to update the port that just received new data to convert. After having updated this port, the DAC continues its default sequence from that port. In that mode, users should allow a minimum of 80µs between DAC data register updates for subsequent jump operations.

In addition to port-specific DAC data registers, the host can also use the same data for all DAC-related ports using one of two preset DAC data registers.

All DAC output drivers are protected by overcurrent limit circuitry. In case of overcurrent, the MAX11300 generates an interrupt. Detailed status registers are offered to the host to determine which ports are current limited.

General-Purpose Input and Output

Each PIXI port can be configured as a GPI or a GPO. The GPI threshold (Figure 8) is adjusted by setting the DAC data register of that GPI port to the corresponding voltage. If the DAC data register is set at 0x0FFF, the GPI threshold is the DAC reference voltage. The amplitude of the input signal must be contained within 0V to V_{AVDD} . The GPI-

configured port can be set to detect rising edges, falling edges, either rising or falling edges, or none.

When a port is configured as GPO (Figure 9), the amplitude of its logic-one level is set by its DAC data register. If the DAC data register is set at 0x0FFF, the GPO logic-one level is four times the DAC reference voltage. The logic-zero level is always 0V. The host can set the logic state of GPO-configured ports through the corresponding GPO data registers.

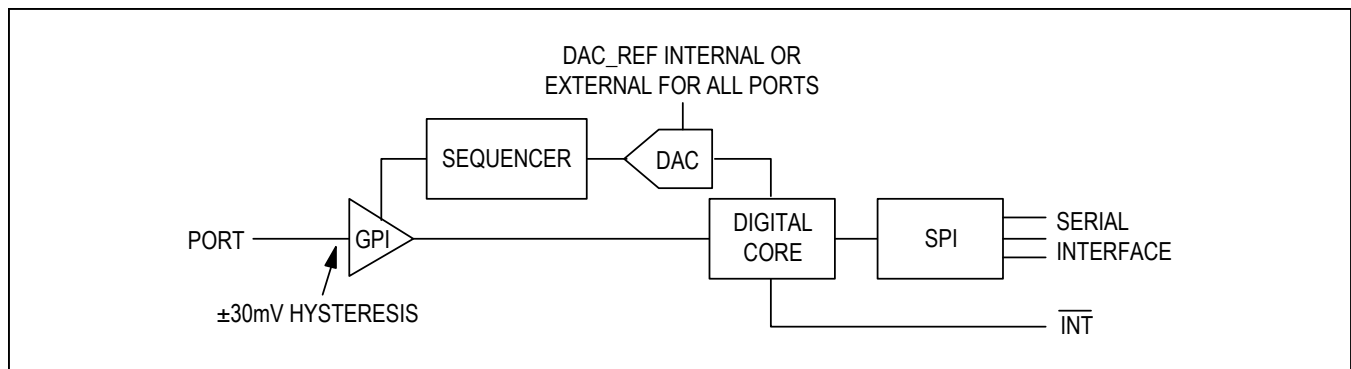


Figure 8. GPI Mode

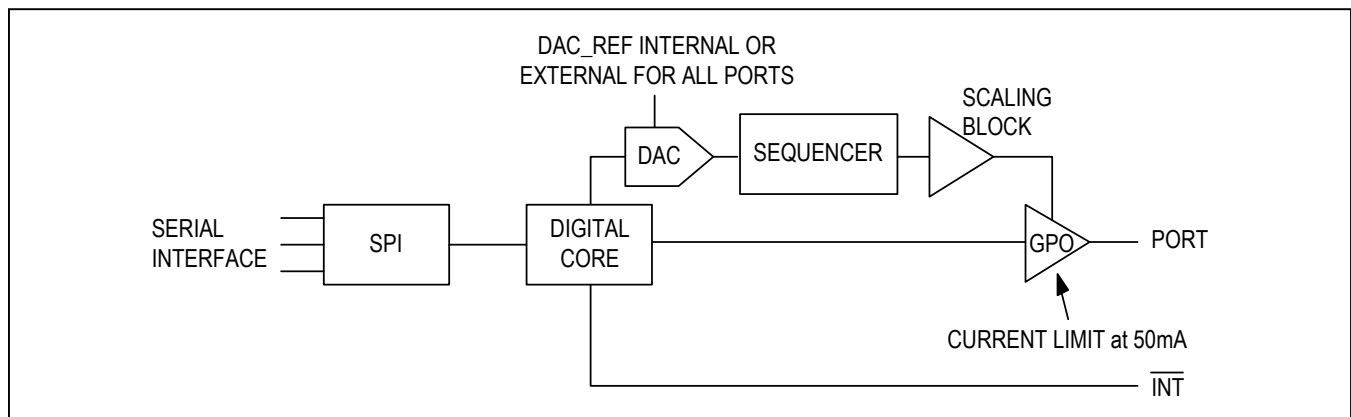


Figure 9. GPO Mode

Unidirectional and Bidirectional Level Translator Operations

By combining GPI- and GPO-configured ports, unidirectional level translator paths can be formed. The signaling at the input of the path can be different from the signaling at the end (Figure 10). For example, a unidirectional path could convert a signal from 1.8V logic level to 3.3V logic level.

The unidirectional path configuration allows for the transmission of signals received on a GPI-configured port to one or more GPO-configured ports.

Pairs of adjacent PIXI ports can also form bidirectional level translator paths that are targeted to operate with open-drain drivers (Figure 11). When used as a bidirectional level translator, the pair of PIXI ports must be accompanied with external pullup resistors to meet proper logic levels.

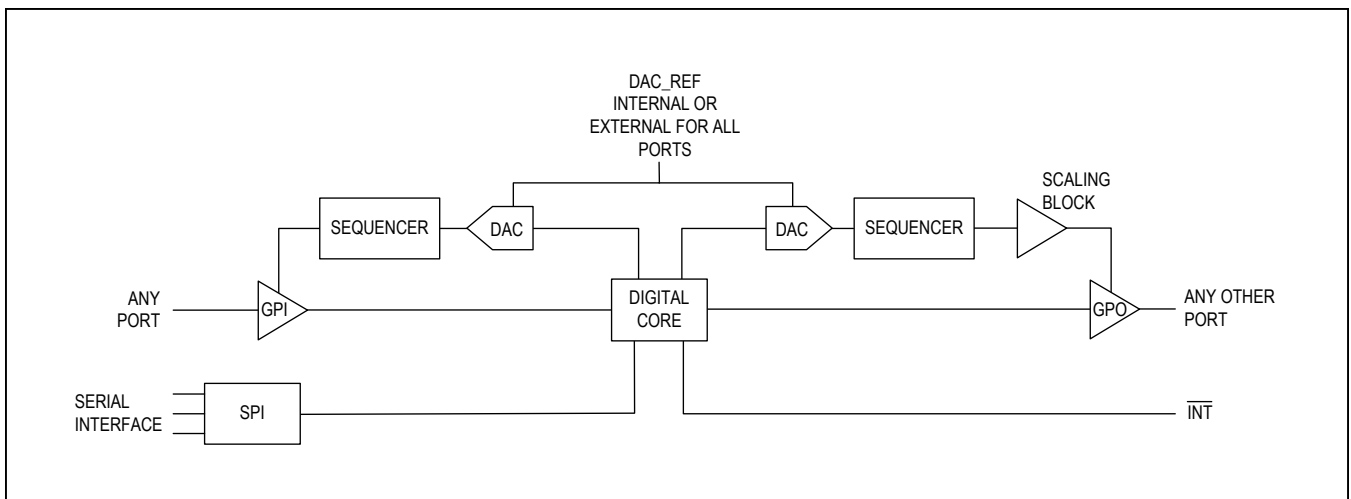


Figure 10. Unidirectional Level Translator Path Mode

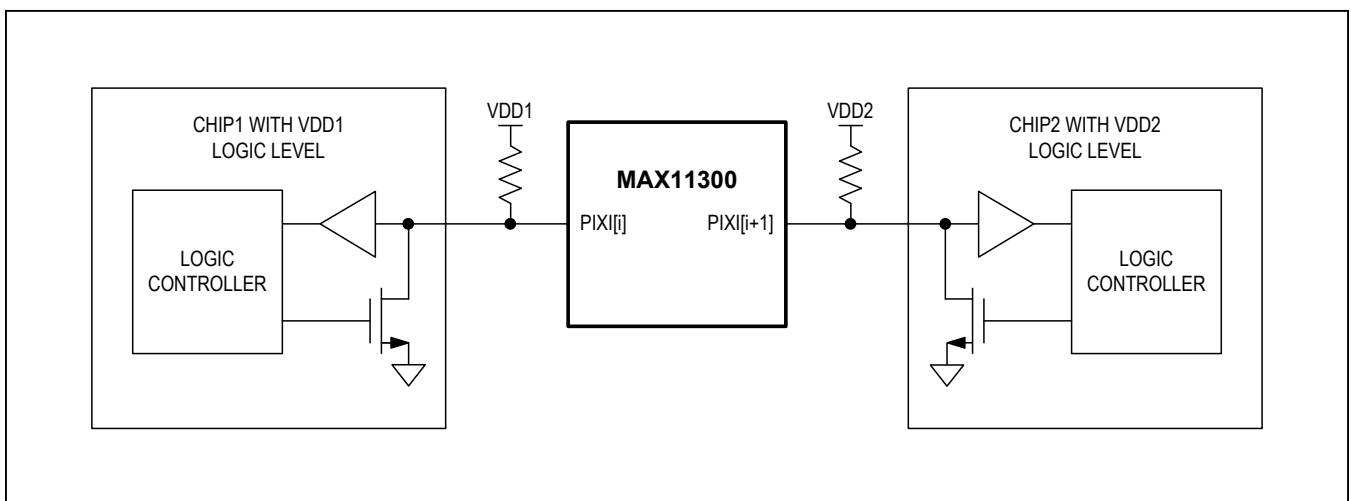


Figure 11. Bidirectional Level Translation Application Diagram

Internally or Externally Controlled Analog Switch Operation

Two adjacent PIXI ports can form a 60Ω analog switch that is controlled by two different configurations. In one configuration, the switch is dynamically controlled by any other GPI-configured PIXI port, as illustrated in [Figure 12](#). The signal applied to that GPI-configured port can be inverted.

In the other configuration, the switch is programmed to be permanently “ON” by configuring the corresponding PIXI port. To turn the switch “OFF”, the host must set that PIXI port in high-impedance configuration.

Power-Supply Brownout Detection

The MAX11300 features a brownout detection circuit that monitors AVDDIO and AVDD pins. When AVDDIO goes below approximately 4.0V, an interrupt is registered, and the interrupt port is asserted if not masked. When AVDD goes below approximately 4.0V, the device resets.

SPI Operations

The MAX11300 SPI interface complies with the timing of Mode 0, as illustrated in [Figure 13](#). The MAX11300 samples incoming data on the rising edge of SCLK and releases outgoing data on the falling edge of SCLK.

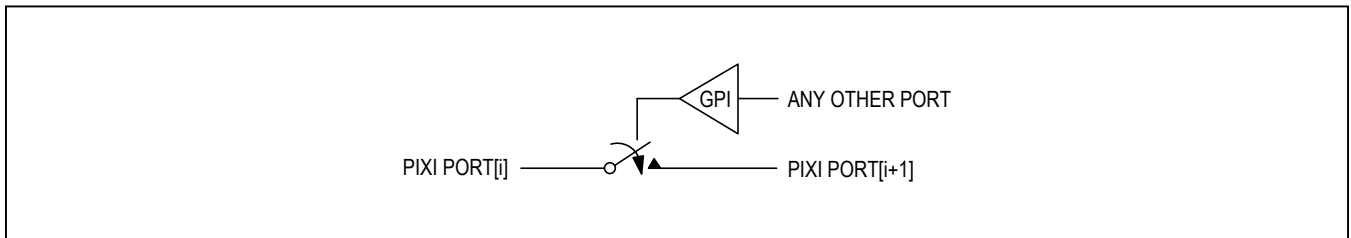


Figure 12. PIXI Ports as a Controllable Analog Switch

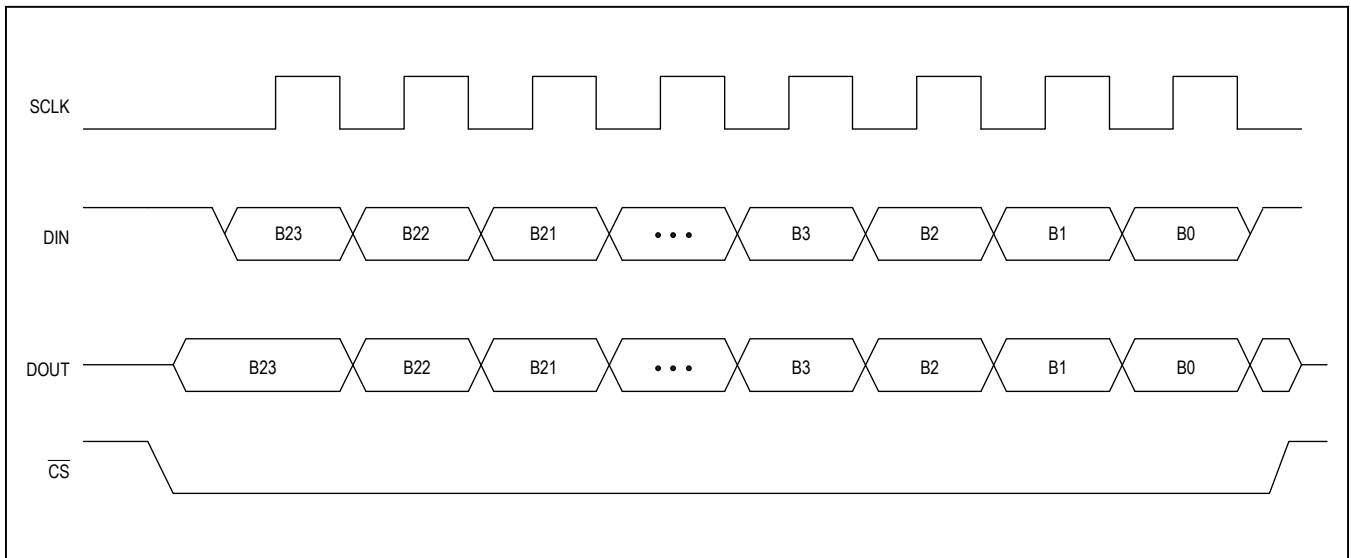


Figure 13. SPI Timing (Mode 0)

SPI transactions are made of a minimum of three bytes. Each transaction is defined by the assertion of \overline{CS} . The first byte contains the address and the read/write bit. The second byte carries the most significant byte of the data to either write or read. The third byte contains the least significant byte of the data to either write or read. Such a transaction is shown in [Table 1](#). For write transactions, the targeted register content is modified only after the third byte has been fully received. The bits come out of DOUT (or come in DIN), most significant bit first.

Note that the duration of the transaction is determined by the assertion of \overline{CS} . If \overline{CS} remains asserted past the third byte, and if SCLK remains active past the third byte, the MAX11300 assumes that a second data sample is received (or transmitted) corresponding to the next register address. The address keeps on incrementing as \overline{CS} remains asserted and SCLK remains active. [Table 2](#) shows an example of such a burst transaction.

Each time a new data sample is read or written, the register address is incremented by one until it reaches the last register address.

If a transaction targets an unused address, nothing is written within the MAX11300 for write transactions, and all zeros are read back for read transactions. Similarly, if

Table 1. Single Register SPI Transaction Format

| | B7 | B6 | B5 | B4 | B3 | B2 | B1 | B0 |
|----------|--------------|----|----|----|----|----|----|------|
| 1st Byte | Address[6:0] | | | | | | | R/WB |
| 2nd Byte | Data[15:8] | | | | | | | |
| 3rd Byte | Data[7:0] | | | | | | | |

Table 2. Multiple Register SPI Transaction Format

| | B7 | B6 | B5 | B4 | B3 | B2 | B1 | B0 |
|-----------|----------------|----|----|----|----|----|----|------|
| 1st Byte | Address_N[6:0] | | | | | | | R/WB |
| 2nd Byte | Data_N[15:8] | | | | | | | |
| 3rd Byte | Data_N[7:0] | | | | | | | |
| 4th Byte | Data_N+1[15:8] | | | | | | | |
| 5th Byte | Data_N+1[7:0] | | | | | | | |
| 6th Byte | Data_N+2[15:8] | | | | | | | |
| 7th Byte | Data_N+2[7:0] | | | | | | | |
| 8th Byte | Data_N+3[15:8] | | | | | | | |
| 9th Byte | Data_N+3[7:0] | | | | | | | |
| 10th Byte | Data_N+4[15:8] | | | | | | | |
| 11th Byte | Data_N+4[7:0] | | | | | | | |

a write transaction targets a read-only register, nothing is written to the device.

Burst Transaction Address Incrementing Modes

With a burst transaction, the address of the initial register is entered once. The data of the targeted register can then be written or read. If the serial clock keeps running, and if \overline{CS} remains asserted, the device increments the address pointer and writes or reads the next data after the next 16 serial clock periods. This scheme goes on until \overline{CS} is deasserted.

There are two address incrementing modes. In one mode, the address is simply incremented by one (default mode), while in the other, the address is incremented contextually. When writing DAC data registers in a burst fashion using contextual addressing, the host would write the address of the first port that is DAC-configured (starting from the lowest port index). As \overline{CS} remains asserted and another set of 16 serial clock cycles are received, the next DAC-configured port is written. This scheme continues until the last DAC-configured port is reached. At that point, any additional serial clock cycle results in looping back to the first DAC-configured port.

The contextual addressing scheme is only valid for writing DAC data registers, as described above, and reading ADC data registers.

Interrupt Operations

The MAX11300 issues interrupts to alert the host of various events. All events are recorded by the interrupt register. The assertion of an interrupt register bit results in the assertion of the interrupt port (INT) if that interrupt bit

is not masked. By default, all interrupts are masked upon power-up or reset. The interrupts are listed hereafter.

The ADCFLAG (ADC Flag) interrupt indicates that the ADC just completed a conversion or set of conversions. It is asserted either at the end of a conversion when the ADC is in single-conversion mode or at the end of a sweep when the ADC is either in single-sweep mode or continuous-sweep mode. ADCFLAG is cleared when the interrupt register is read.

The ADCDR (ADC Data Ready) interrupt is asserted when at least one ADC data register is refreshed. Since one conversion per ADC-configured port is performed per sweep, many sweeps may be required before refreshing the data register of a given ADC-configured port that utilizes the averaging function. See the [ADC Averaging Function](#) section. To determine which ADC-configured port received a new data sample, the host must read the ADC status registers. ADCDR is cleared after the interrupt register and both ADC status registers are read subsequently.

The ADCDM (ADC Data Missed) interrupt is asserted when any ADC data register is not read by the host before new data is stored in that ADC data register. ADCDM is cleared after the interrupt register is read.

The GPIER (GPI Event Received) interrupt indicates that an event has been received on one of the GPI-configured ports. Each GPI port can be configured to generate an interrupt for an event such as detecting a rising edge, a falling edge, or either edge at the corresponding port. If the GPI port is configured to detect no edge, it is equivalent to masking the interrupt related to that port. A GPI status register allows the host to identify which port detected the event. GPIER is cleared after the interrupt register and both GPI status registers are read subsequently.

The GPIEM (GPI Event Missed) interrupt informs the host that it did not service the GPI interrupt caused by the occurrence of an event recorded by GPI status registers before another event was received on the same port. The host must read the interrupt register and the GPI status registers whenever a GPI event received interrupt occurs; otherwise, the GPIEM register is asserted upon receiving the next event. This interrupt must be used in conjunction with the GPIER interrupt bit to operate properly. GPIEM is cleared after the interrupt register and both GPI status registers are read subsequently.

The DACOI (DAC Overcurrent) interrupt indicates that a DAC-configured port current exceeded approximately 50mA. This limit is not configurable. A DAC overcurrent status register allows the host to identify which DAC-

configured port exceeded the 50mA current limit. DACOI is cleared after the interrupt register is read, and both DAC overcurrent status registers are read subsequently.

The TMPINT[2:0] (Internal Temperature Monitor) interrupt has three sources of interrupt, each independently controllable: a new internal temperature value is ready, the internal temperature value exceeds the maximum limit, or the internal temperature value is below the minimum limit. TMPINT is cleared after the interrupt register is read.

The TMPEXT1[2:0] (1st External Temperature Monitor) interrupt has three sources of interrupt, each independently controllable: a new first external temperature value is ready, the first external temperature value exceeds the maximum limit, or the first external temperature value is below the minimum limit. TMPEXT1 is cleared after the interrupt register is read.

The TMPEXT2[2:0] (2nd External Temperature Monitor) interrupt has three sources of interrupt, each independently controllable: a new second external temperature value is ready, the second external temperature value exceeds the maximum limit, or the second external temperature value is below the minimum limit. TMPEXT2 is cleared after the interrupt register is read.

The VMON (High-Voltage Supply Monitor) interrupt is triggered when AVDDIO supply voltage falls below approximately 4V. VMON is cleared after the interrupt register is read.

Temperature Sensors Overview

The MAX11300 integrates one internal and two external temperature sensors. The external sensors are diode-connected transistors, typically a low-cost, easily mounted 2N3904 NPN type, that replace conventional thermistors or thermocouples. The external sensors' accuracy is typically $\pm 1^{\circ}\text{C}$ over the -40°C to $+150^{\circ}\text{C}$ temperature range with no calibration necessary. Use of a transistor with a different ideality factor produces a proportionate difference in the absolute measured temperature. Parasitic series resistance results in a temperature reading error of about 0.25°C per Ohm of resistance. The MAX11300 features a series resistance cancellation mode (RS_CANCEL) that eliminates this error for resistances up to 10 Ohms. The external sensors can also measure the die temperature of other ICs, such as microprocessors, that contain a substrate-connected diode available for temperature-sensing purposes. Temperature data can be read from the temperature data registers. The temperature data format is in two's complement, with one LSB representing 0.125°C .

Register Description

Register bits that are shown unused do not impact device functionality and read out as “0”.

Table 3. Register Table (Read/Write)

| ADDRESS | DESCRIPTION | B15 | B14 | B13 | B12 | B11 | B10 | B9 | B8 | B7 | B6 | B5 | B4 | B3 | B2 | B1 | B0 | DEFAULT |
|------------|---|------------------|--------|---------------|------------|---------------|------------------|------------------|--------|---------------|--------------|---------------------|---------------------|--------------------|--------|---------------|--------|---------|
| 0x00 (R) | Device ID | DEVID[15:0] | | | | | | | | | | | | | | | | 0x0024 |
| 0x01 (R) | Interrupt | TMPINT[2:0] | | | | | | | | | | | | | | | | 0x0000 |
| 0x02 (R) | ADC data status; ports 0-15 | DACOI | | | | | | | | | | | | | | | | 0x0000 |
| 0x03 (R) | ADC data status; ports 16-19 | ADCST[15:0] | | | | | | | | | | | | | | | | 0x0000 |
| 0x04 (R) | Overcurrent status; ports 0-15 | DACOIST[15:0] | | | | | | | | | | | | | | | | 0x0000 |
| 0x05 (R) | Overcurrent status; ports 16-19 | DACOIST[19:16] | | | | | | | | | | | | | | | | 0x0000 |
| 0x06 (R) | GPI status; ports 0-15 | GPIST[15:0] | | | | | | | | | | | | | | | | 0x0000 |
| 0x07 (R) | GPI status; ports 16-19 | GPIST[19:16] | | | | | | | | | | | | | | | | 0x0000 |
| 0x08 (R) | Internal temperature data | TMPINTDAT[11:0] | | | | | | | | | | | | | | | | 0x0000 |
| 0x09 (R) | 1 st external temperature data | TMPEXT1DAT[11:0] | | | | | | | | | | | | | | | | 0x0000 |
| 0x0A (R) | 2 nd external temperature data | TMPEXT2DAT[11:0] | | | | | | | | | | | | | | | | 0x0000 |
| 0x0B (R) | GPI data; ports 15-0 | GPIDAT[15:0] | | | | | | | | | | | | | | | | 0x0000 |
| 0x0C (R) | GPI data; ports 19-16 | GPIDAT[19:16] | | | | | | | | | | | | | | | | 0x0000 |
| 0x0D (R/W) | GPO data; ports 15-0 | GPODAT[15:0] | | | | | | | | | | | | | | | | 0x0000 |
| 0x0E (R/W) | GPO data; ports 19-16 | GPODAT[19:16] | | | | | | | | | | | | | | | | 0x0000 |
| 0x10 (R/W) | Device control | Reset | BRST | LPEN | IRS_CANCEL | TMPPER | TMPEXT1_MSK[2:0] | TMPEXT2_MSK[2:0] | THSHDN | DAGREF | ADCCONV[1:0] | | DACCCL[1:0] | ADCCDR_MSK | | ADCCFLAG_MSK | 0x0000 | |
| 0x11 (R/W) | Interrupt mask | VMON_MSK | UNUSED | | | | | | | | | | | | | | | 0xFFFF |
| 0x12 (R/W) | GPI IRQ mode; ports 0-7 | GPIMD_7[1:0] | | GPIMD_6[1:0] | | GPIMD_5[1:0] | | GPIMD_4[1:0] | | GPIMD_3[1:0] | | GPIMD_2[1:0] | | GPIMD_1[1:0] | | GPIMD_0[1:0] | | 0x0000 |
| 0x13 (R/W) | GPI IRQ mode; ports 8-15 | GPIMD_15[1:0] | | GPIMD_14[1:0] | | GPIMD_13[1:0] | | GPIMD_12[1:0] | | GPIMD_11[1:0] | | GPIMD_10[1:0] | | GPIMD_9[1:0] | | GPIMD_8[1:0] | | 0x0000 |
| 0x14 (R/W) | GPI IRQ mode; ports 16-19 | UNUSED | | UNUSED | | UNUSED | | GPIMD_19[1:0] | | GPIMD_18[1:0] | | GPIMD_17[1:0] | | GPIMD_16[1:0] | | GPIMD_15[1:0] | | 0x0000 |
| 0x16 (R/W) | DAC preset data #1 | UNUSED | | | | | | | | | | | | | | | | 0x0000 |
| 0x17 (R/W) | DAC preset data #2 | UNUSED | | | | | | | | | | | | | | | | 0x0000 |
| 0x18 (R/W) | Temperature monitor Configuration | UNUSED | | | | | | | | | | TMPEXT2MONCFG [1:0] | TMPEXT1MONCFG [1:0] | TMPINTMONCFG [1:0] | 0x0000 | | | |

Table 3. Register Table (Read/Write) (continued)

| ADDRESS | DESCRIPTION | B15 | B14 | B13 | B12 | B11 | B10 | B9 | B8 | B7 | B6 | B5 | B4 | B3 | B2 | B1 | B0 | DEFAULT |
|------------|---|-----|--------|----------------|-----|-----|-----|----|----|----|----|------------------|----|----|----|----|----|---------|
| 0x19 (R/W) | Internal temperature high threshold | | UNUSED | | | | | | | | | TMPINTH[11:0] | | | | | | 0x07FF |
| 0x1A (R/W) | Internal temperature low threshold | | UNUSED | | | | | | | | | TMPINTLO[11:0] | | | | | | 0x0800 |
| 0x1B (R/W) | 1 st external temperature high threshold | | UNUSED | | | | | | | | | TMPEXT1H[11:0] | | | | | | 0x07FF |
| 0x1C (R/W) | 1 st external temperature low threshold | | UNUSED | | | | | | | | | TMPEXT1LO[11:0] | | | | | | 0x0800 |
| 0x1D (R/W) | 2 nd external temperature high threshold | | UNUSED | | | | | | | | | TMPEXT2H[11:0] | | | | | | 0x07FF |
| 0x1E (R/W) | 2 nd external temperature low threshold | | UNUSED | | | | | | | | | TMPEXT2LO[11:0] | | | | | | 0x0800 |
| 0x20 (R/W) | Port 0 configuration | | | FUNCID_0[3:0] | | | | | | | | FUNCPRM_0[11:0] | | | | | | 0x0000 |
| 0x21 (R/W) | Port 1 configuration | | | FUNCID_1[3:0] | | | | | | | | FUNCPRM_1[11:0] | | | | | | 0x0000 |
| 0x22 (R/W) | Port 2 configuration | | | FUNCID_2[3:0] | | | | | | | | FUNCPRM_2[11:0] | | | | | | 0x0000 |
| 0x23 (R/W) | Port 3 configuration | | | FUNCID_3[3:0] | | | | | | | | FUNCPRM_3[11:0] | | | | | | 0x0000 |
| 0x24 (R/W) | Port 4 configuration | | | FUNCID_4[3:0] | | | | | | | | FUNCPRM_4[11:0] | | | | | | 0x0000 |
| 0x25 (R/W) | Port 5 configuration | | | FUNCID_5[3:0] | | | | | | | | FUNCPRM_5[11:0] | | | | | | 0x0000 |
| 0x26 (R/W) | Port 6 configuration | | | FUNCID_6[3:0] | | | | | | | | FUNCPRM_6[11:0] | | | | | | 0x0000 |
| 0x27 (R/W) | Port 7 configuration | | | FUNCID_7[3:0] | | | | | | | | FUNCPRM_7[11:0] | | | | | | 0x0000 |
| 0x28 (R/W) | Port 8 configuration | | | FUNCID_8[3:0] | | | | | | | | FUNCPRM_8[11:0] | | | | | | 0x0000 |
| 0x29 (R/W) | Port 9 configuration | | | FUNCID_9[3:0] | | | | | | | | FUNCPRM_9[11:0] | | | | | | 0x0000 |
| 0x2A (R/W) | Port 10 configuration | | | FUNCID_10[3:0] | | | | | | | | FUNCPRM_10[11:0] | | | | | | 0x0000 |
| 0x2B (R/W) | Port 11 configuration | | | FUNCID_11[3:0] | | | | | | | | FUNCPRM_11[11:0] | | | | | | 0x0000 |
| 0x2C (R/W) | Port 12 configuration | | | FUNCID_12[3:0] | | | | | | | | FUNCPRM_12[11:0] | | | | | | 0x0000 |
| 0x2D (R/W) | Port 13 configuration | | | FUNCID_13[3:0] | | | | | | | | FUNCPRM_13[11:0] | | | | | | 0x0000 |
| 0x2E (R/W) | Port 14 configuration | | | FUNCID_14[3:0] | | | | | | | | FUNCPRM_14[11:0] | | | | | | 0x0000 |
| 0x2F (R/W) | Port 15 configuration | | | FUNCID_15[3:0] | | | | | | | | FUNCPRM_15[11:0] | | | | | | 0x0000 |
| 0x30 (R/W) | Port 16 configuration | | | FUNCID_16[3:0] | | | | | | | | FUNCPRM_16[11:0] | | | | | | 0x0000 |
| 0x31 (R/W) | Port 17 configuration | | | FUNCID_17[3:0] | | | | | | | | FUNCPRM_17[11:0] | | | | | | 0x0000 |

Table 3. Register Table (Read/Write) (continued)

| ADDRESS | DESCRIPTION | B15 | B14 | B13 | B12 | B11 | B10 | B9 | B8 | B7 | B6 | B5 | B4 | B3 | B2 | B1 | B0 | DEFAULT |
|------------|-----------------------|-----|----------------|-----|-----|-----|-----|----|----|----|----|----|------------------|----|----|----|----|---------|
| 0x32 (R/W) | Port 18 configuration | | FUNCID_18[3:0] | | | | | | | | | | FUNCPRM_18[11:0] | | | | | 0x0000 |
| 0x33 (R/W) | Port 19 configuration | | FUNCID_19[3:0] | | | | | | | | | | FUNCPRM_19[11:0] | | | | | 0x0000 |
| 0x40 (R) | Port 0 ADC data | | UNUSED | | | | | | | | | | ADCDAT_0[11:0] | | | | | 0x0000 |
| 0x41 (R) | Port 1 ADC data | | UNUSED | | | | | | | | | | ADCDAT_1[11:0] | | | | | 0x0000 |
| 0x42 (R) | Port 2 ADC data | | UNUSED | | | | | | | | | | ADCDAT_2[11:0] | | | | | 0x0000 |
| 0x43 (R) | Port 3 ADC data | | UNUSED | | | | | | | | | | ADCDAT_3[11:0] | | | | | 0x0000 |
| 0x44 (R) | Port 4 ADC data | | UNUSED | | | | | | | | | | ADCDAT_4[11:0] | | | | | 0x0000 |
| 0x45 (R) | Port 5 ADC data | | UNUSED | | | | | | | | | | ADCDAT_5[11:0] | | | | | 0x0000 |
| 0x46 (R) | Port 6 ADC data | | UNUSED | | | | | | | | | | ADCDAT_6[11:0] | | | | | 0x0000 |
| 0x47 (R) | Port 7 ADC data | | UNUSED | | | | | | | | | | ADCDAT_7[11:0] | | | | | 0x0000 |
| 0x48 (R) | Port 8 ADC data | | UNUSED | | | | | | | | | | ADCDAT_8[11:0] | | | | | 0x0000 |
| 0x49 (R) | Port 9 ADC data | | UNUSED | | | | | | | | | | ADCDAT_9[11:0] | | | | | 0x0000 |
| 0x4A (R) | Port 10 ADC data | | UNUSED | | | | | | | | | | ADCDAT_10[11:0] | | | | | 0x0000 |
| 0x4B (R) | Port 11 ADC data | | UNUSED | | | | | | | | | | ADCDAT_11[11:0] | | | | | 0x0000 |
| 0x4C (R) | Port 12 ADC data | | UNUSED | | | | | | | | | | ADCDAT_12[11:0] | | | | | 0x0000 |
| 0x4D (R) | Port 13 ADC data | | UNUSED | | | | | | | | | | ADCDAT_13[11:0] | | | | | 0x0000 |
| 0x4E (R) | Port 14 ADC data | | UNUSED | | | | | | | | | | ADCDAT_14[11:0] | | | | | 0x0000 |
| 0x4F (R) | Port 15 ADC data | | UNUSED | | | | | | | | | | ADCDAT_15[11:0] | | | | | 0x0000 |
| 0x50 (R) | Port 16 ADC data | | UNUSED | | | | | | | | | | ADCDAT_16[11:0] | | | | | 0x0000 |
| 0x51 (R) | Port 17 ADC data | | UNUSED | | | | | | | | | | ADCDAT_17[11:0] | | | | | 0x0000 |
| 0x52 (R) | Port 18 ADC data | | UNUSED | | | | | | | | | | ADCDAT_18[11:0] | | | | | 0x0000 |
| 0x53 (R) | Port 19 ADC data | | UNUSED | | | | | | | | | | ADCDAT_19[11:0] | | | | | 0x0000 |
| 0x60 (R/W) | Port 0 DAC data | | UNUSED | | | | | | | | | | DACDAT_0[11:0] | | | | | 0x0000 |
| 0x61 (R/W) | Port 1 DAC data | | UNUSED | | | | | | | | | | DACDAT_1[11:0] | | | | | 0x0000 |
| 0x62 (R/W) | Port 2 DAC data | | UNUSED | | | | | | | | | | DACDAT_2[11:0] | | | | | 0x0000 |
| 0x63 (R/W) | Port 3 DAC data | | UNUSED | | | | | | | | | | DACDAT_3[11:0] | | | | | 0x0000 |
| 0x64 (R/W) | Port 4 DAC data | | UNUSED | | | | | | | | | | DACDAT_4[11:0] | | | | | 0x0000 |
| 0x65 (R/W) | Port 5 DAC data | | UNUSED | | | | | | | | | | DACDAT_5[11:0] | | | | | 0x0000 |
| 0x66 (R/W) | Port 6 DAC data | | UNUSED | | | | | | | | | | DACDAT_6[11:0] | | | | | 0x0000 |
| 0x67 (R/W) | Port 7 DAC data | | UNUSED | | | | | | | | | | DACDAT_7[11:0] | | | | | 0x0000 |
| 0x68 (R/W) | Port 8 DAC data | | UNUSED | | | | | | | | | | DACDAT_8[11:0] | | | | | 0x0000 |
| 0x69 (R/W) | Port 9 DAC data | | UNUSED | | | | | | | | | | DACDAT_9[11:0] | | | | | 0x0000 |
| 0x6A (R/W) | Port 10 DAC data | | UNUSED | | | | | | | | | | DACDAT_10[11:0] | | | | | 0x0000 |
| 0x6B (R/W) | Port 11 DAC data | | UNUSED | | | | | | | | | | DACDAT_11[11:0] | | | | | 0x0000 |
| 0x6C (R/W) | Port 12 DAC data | | UNUSED | | | | | | | | | | DACDAT_12[11:0] | | | | | 0x0000 |
| 0x6D (R/W) | Port 13 DAC data | | UNUSED | | | | | | | | | | DACDAT_13[11:0] | | | | | 0x0000 |
| 0x6E (R/W) | Port 14 DAC data | | UNUSED | | | | | | | | | | DACDAT_14[11:0] | | | | | 0x0000 |
| 0x6F (R/W) | Port 15 DAC data | | UNUSED | | | | | | | | | | DACDAT_15[11:0] | | | | | 0x0000 |
| 0x70 (R/W) | Port 16 DAC data | | UNUSED | | | | | | | | | | DACDAT_16[11:0] | | | | | 0x0000 |
| 0x71 (R/W) | Port 17 DAC data | | UNUSED | | | | | | | | | | DACDAT_17[11:0] | | | | | 0x0000 |
| 0x72 (R/W) | Port 18 DAC data | | UNUSED | | | | | | | | | | DACDAT_18[11:0] | | | | | 0x0000 |
| 0x73 (R/W) | Port 19 DAC data | | UNUSED | | | | | | | | | | DACDAT_19[11:0] | | | | | 0x0000 |

Register Detailed Description

Device ID Register (Read)

| BIT | FIELD NAME | DESCRIPTION |
|------|-------------|--|
| 15:0 | DEVID[15:0] | Device ID <ul style="list-style-type: none"> 0000_0000_0010_0100 |

Interrupt Register (Read)

| BIT | FIELD NAME | DESCRIPTION |
|-----|------------|--|
| 0 | ADCFLAG | ADC flag interrupt <ul style="list-style-type: none"> Asserted when the ADC completes a conversion (ADC set in single-conversion mode) or when the ADC completes a sweep (ADC set in single-sweep or continuous-sweep mode). No interrupt is generated when the ADC is in idle mode. Cleared after the interrupt register is read. |
| 1 | ADCDR | ADC data ready interrupt <ul style="list-style-type: none"> Asserted when any ADC data register receives a new data sample. If a port is configured to average 2^N samples, it takes 2^N sweeps for that port data register to be refreshed and assert ADCDR. Data registers are refreshed either at the end of a conversion (ADC set in single-conversion mode) or at the end of a sweep (ADC set in single-sweep or continuous-sweep mode). Cleared after the interrupt register is read, and after both ADCST[15:0] and ADCST[19:16] registers are read subsequently. |
| 2 | ADCDM | ADC data missed interrupt <ul style="list-style-type: none"> Asserted when the host missed reading a port's ADC data register by the time that port's ADC data register is overwritten by new data. Cleared after the interrupt register is read. |
| 3 | GPIDR | GPI event ready interrupt <ul style="list-style-type: none"> Asserted when a new event is captured by GPI-configured ports. The type of event is set by the corresponding GPI IRQ mode register. The host can then consult GPIST[15:0] and GPIST[19:16] registers to identify the port that caused the interrupt. Cleared after the interrupt register is read, and after both GPIST[15:0] and GPIST[19:16] are read subsequently. |
| 4 | GPIDM | GPI event missed interrupt <ul style="list-style-type: none"> Asserted when the host missed reading the GPI status register by the time that register is overwritten. Must be used in conjunction with GPIDR for proper operation. Cleared after the interrupt register is read, and after both GPIST[15:0] and GPIST[19:16] are read subsequently. |
| 5 | DACOI | DAC driver overcurrent interrupt <ul style="list-style-type: none"> Asserted when the DAC driver current exceeds approximately 50mA. The host can then read DACOIST[15:0] and DACOIST[19:16] to identify the port that caused the interrupt. Cleared after the interrupt register is read, and after both DACOIST[15:0] and DACOIST[19:16] registers are read subsequently. |

Interrupt Register (Read) (continued)

| BIT | FIELD NAME | DESCRIPTION |
|-------|--------------|---|
| 8:6 | TMPINT[2:0] | Internal temperature interrupts <ul style="list-style-type: none"> • TMPINT[2]: Asserted when the internal temperature value is larger than the value stored in TMPINTHI[11:0]. Cleared after the interrupt register is read. • TMPINT[1]: Asserted when the internal temperature value is lower than the value stored in TMPINTLO[11:0]. Cleared after the interrupt register is read. • TMPINT[0]: Asserted when a new temperature value is available. Cleared after the interrupt register is read. |
| 11:9 | TMPEXT1[2:0] | 1st external temperature interrupts <ul style="list-style-type: none"> • TMPEXT1[2]: Asserted when the 1st external temperature value is larger than the value stored in TMPEXT1HI[11:0]. Cleared after the interrupt register is read. • TMPEXT1[1]: Asserted when the 1st external temperature value is lower than the value stored in TMPEXT1LO[11:0]. Cleared after the interrupt register is read. • TMPEXT1[0]: Asserted when a new temperature value is available. Cleared after the interrupt register is read. |
| 14:12 | TMPEXT2[2:0] | 2nd external temperature interrupts <ul style="list-style-type: none"> • TMPEXT2[2]: Asserted when the 2nd external temperature value is larger than the value stored in TMPEXT2HI[11:0]. Cleared after the interrupt register is read. • TMPEXT2[1]: Asserted when the 2nd external temperature value is lower than the value stored in TMPEXT2LO[11:0]. Cleared after the interrupt register is read. • TMPEXT2[0]: Asserted when a new temperature value is available. Cleared after the interrupt register is read. |
| 15 | VMON | High-voltage supply monitor interrupt <ul style="list-style-type: none"> • Asserted when the high voltage supply (AVDDIO) falls below approximately 4V. • Cleared after the interrupt register is read. |

ADC Status Registers (Read)

| BIT | FIELD NAME | DESCRIPTION |
|-------------|-----------------------------|---|
| 15:0 3:0 | ADCST[15:0] ADCST[19:16] | Status of ADC data received for ports 0 to 19 <ul style="list-style-type: none"> • Once new data is written in an ADC data register, the corresponding ADCST bit is asserted. The new data is written only after the set of samples to average is collected when the averaging function is enabled. • This register content is not affected by any related interrupt mask. Activity on ADC-configured ports is recorded by this register regardless of the mask interrupt register setting. • Cleared after the interrupt register is read, and after both ADCST[15:0] and ADCST[19:16] registers are read, subsequently. |

Overcurrent Status Registers (Read)

| BIT | FIELD NAME | DESCRIPTION |
|-------------|---------------------------------|--|
| 15:0 3:0 | DACOIST[15:0] DACOIST[19:16] | Status of DAC drivers overcurrent for ports 0 to 19 <ul style="list-style-type: none"> • Once a port driver exceeds approximately 50mA, the host can identify which driver caused the interrupt by reading DACOIST[15:0] and DACOIST[19:16]. • This register content is not affected by any related interrupt mask. Activity on overcurrent detection is recorded by these registers regardless of the mask interrupt register setting. • Cleared after the interrupt register is read, and after both DACOIST[15:0] and DACOIST[19:16] registers are read, subsequently.. |

Internal Temperature Data Register (Read)

| BIT | FIELD NAME | DESCRIPTION |
|------|------------------|--|
| 11:0 | TMPIINTDAT[11:0] | Internal temperature measurement data <ul style="list-style-type: none"> Temperature measurement produced by the internal temperature sensor. The data sample is represented in two's complement, and one LSB represents 0.125°C. |

1st External Temperature Data Register (Read)

| BIT | FIELD NAME | DESCRIPTION |
|------|------------------|--|
| 11:0 | TMPEXT1DAT[11:0] | 1st external temperature measurement data <ul style="list-style-type: none"> Temperature measurement produced by the first external temperature sensor. The data sample is represented in two's complement, and one LSB represents 0.125°C. |

2nd External Temperature Data Register (Read)

| BIT | FIELD NAME | DESCRIPTION |
|------|------------------|---|
| 11:0 | TMPEXT2DAT[11:0] | 2nd external temperature measurement data <ul style="list-style-type: none"> Temperature measurement produced by the second external temperature sensor. The data sample is represented in two's complement, and one LSB represents 0.125°C. |

GPI Status Registers (Read)

| BIT | FIELD NAME | DESCRIPTION |
|-------------|-----------------------------|--|
| 15:0 3:0 | GPIST[15:0] GPIST[19:16] | Status of GPI event detection for ports 0 to 19 <ul style="list-style-type: none"> Asserted when an event is detected on a GPI-configured port. The type of event to detect is set by the corresponding GPI IRQ register. Once a GPIIDT interrupt is generated, the host can identify which GPI port(s) caused the interrupt by reading GPIST[15:0] and GPIST[19:16] registers. GPIST content is not affected by any related interrupt mask. Activity on GPI-configured ports is recorded by GPIST regardless of the mask interrupt register setting. Cleared after the interrupt register is read, and after both GPIST[15:0] and GPIST[19:16] registers are read, subsequently. |

Interrupt Mask Register (Read/Write)

| BIT | FIELD NAME | DESCRIPTION |
|-------|-----------------|--|
| 0 | ADCFLAGMSK | ADC flag interrupt mask <ul style="list-style-type: none"> Masks ADCFLAG interrupt bit when asserted. In ADC continuous-sweep mode, $\overline{\text{INT}}$ is asserted for 100nS at the end of each sweep whether ADCFLAG interrupt is cleared or not. 1: Prevents the assertion of ADCFLAG interrupt bit from pulling $\overline{\text{INT}}$ low. 0: Allows the assertion of ADCFLAG interrupt bit to pull $\overline{\text{INT}}$ low. |
| 1 | ADCDRMSK | ADC data ready interrupt mask <ul style="list-style-type: none"> Masks ADCDR interrupt bit when asserted. 1: Prevents the assertion of ADCDR interrupt bit from pulling $\overline{\text{INT}}$ low. 0: Allows the assertion of ADCDR interrupt bit to pull $\overline{\text{INT}}$ low. |
| 2 | ADCDMMSK | ADC data missed interrupt mask <ul style="list-style-type: none"> Masks ADCDM interrupt bit when asserted. 1: Prevents the assertion of ADCDM interrupt bit from pulling $\overline{\text{INT}}$ low. 0: Allows the assertion of ADCDM interrupt bit to pull $\overline{\text{INT}}$ low. |
| 3 | GPIDRMSK | GPI event ready interrupt mask <ul style="list-style-type: none"> Masks GPIDR interrupt bit when asserted. Supersedes the settings in the GPI IRQ Mode registers. 1: Prevents the assertion of GPIDR interrupt bit from pulling $\overline{\text{INT}}$ low. 0: Allows the assertion of GPIDR interrupt bit to pull $\overline{\text{INT}}$ low. |
| 4 | GPIDMMSK | GPI event missed interrupt mask <ul style="list-style-type: none"> Masks GPIDM interrupt bit when asserted. Can be deasserted only if GPIDRMSK is deasserted. 1: Prevents the assertion of GPIDM interrupt bit from pulling $\overline{\text{INT}}$ low. 0: Allows the assertion of GPIDM interrupt bit to pull $\overline{\text{INT}}$ low. |
| 5 | DACOIMSK | DAC driver overcurrent interrupt mask <ul style="list-style-type: none"> Masks DACOI interrupt bit when asserted. 1: Prevents the assertion of DACOI interrupt bit from pulling $\overline{\text{INT}}$ low. 0: Allows the assertion of DACOI interrupt bit to pull $\overline{\text{INT}}$ low. |
| 8:6 | TMPINTMSK[2:0] | Internal temperature interrupt mask <ul style="list-style-type: none"> Masks TMPINT[2:0] interrupt bits when asserted on a bit-by-bit basis. 1: Prevents the assertion of TMPINT[i] interrupt bit from pulling $\overline{\text{INT}}$ low ($0 \leq i \leq 2$). 0: Allows the assertion of TMPINT[i] interrupt bit to pull $\overline{\text{INT}}$ low ($0 \leq i \leq 2$). |
| 11:9 | TMPEXT1MSK[2:0] | 1st external temperature interrupt mask <ul style="list-style-type: none"> Masks TMPEXT1[2:0] interrupt bits when asserted on a bit-by-bit basis. 1: Prevents the assertion of TMPEXT1[i] interrupt bit from pulling $\overline{\text{INT}}$ low ($0 \leq i \leq 2$). 0: Allows the assertion of TMPEXT1[i] interrupt bit to pull $\overline{\text{INT}}$ low ($0 \leq i \leq 2$). |
| 14:12 | TMPEXT2MSK[2:0] | 2nd external temperature interrupt mask <ul style="list-style-type: none"> Masks TMPEXT2[2:0] interrupt bits when asserted on a bit-by-bit basis. 1: Prevents the assertion of TMPEXT2[i] interrupt bit from pulling $\overline{\text{INT}}$ low ($0 \leq i \leq 2$). 0: Allows the assertion of TMPEXT2[i] interrupt bit to pull $\overline{\text{INT}}$ low ($0 \leq i \leq 2$). |
| 15 | VMONMSK | High-voltage supply monitor mask <ul style="list-style-type: none"> Masks VMON interrupt bit when asserted. 1: Prevents the assertion of VMON interrupt bit from pulling $\overline{\text{INT}}$ low. 0: Allows the assertion of VMON interrupt bit to pull $\overline{\text{INT}}$ low. |

GPI IRQ Mode Registers (Read/Write)

| BIT | FIELD NAME | DESCRIPTION |
|-------|---------------|---|
| 1:0 | GPIMD_0[1:0] | GPI interrupt request mode for ports 0 to 19 <ul style="list-style-type: none"> Each input port is controlled by GPIMD, a 2-bit code. For a given port i ($0 \leq i \leq 19$): <ul style="list-style-type: none"> GPIMD_i[1:0] = 00: GPIST[i] is never asserted GPIMD_i[1:0] = 01: GPIST[i] is asserted upon detection of a positive edge GPIMD_i[1:0] = 10: GPIST[i] is asserted upon detection of a negative edge GPIMD_i[1:0] = 11: GPIST[i] is asserted upon detection of a positive or a negative edge |
| 3:2 | GPIMD_1[1:0] | |
| 5:4 | GPIMD_2[1:0] | |
| 7:6 | GPIMD_3[1:0] | |
| 9:8 | GPIMD_4[1:0] | |
| 11:10 | GPIMD_5[1:0] | |
| 13:12 | GPIMD_6[1:0] | |
| 15:14 | GPIMD_7[1:0] | |
| 1:0 | GPIMD_8[1:0] | |
| 3:2 | GPIMD_9[1:0] | |
| 5:4 | GPIMD_10[1:0] | |
| 7:6 | GPIMD_11[1:0] | |
| 9:8 | GPIMD_12[1:0] | |
| 11:10 | GPIMD_13[1:0] | |
| 13:12 | GPIMD_14[1:0] | |
| 15:14 | GPIMD_15[1:0] | |
| 1:0 | GPIMD_16[1:0] | |
| 3:2 | GPIMD_17[1:0] | |
| 5:4 | GPIMD_18[1:0] | |
| 7:6 | GPIMD_19[1:0] | |

Device Control Register (Read/Write)

| BIT | FIELD NAME | DESCRIPTION |
|-----|--------------|--|
| 1:0 | ADCCCTL[1:0] | ADC conversion mode selection <ul style="list-style-type: none"> 00: Idle mode – The ADC does not perform any conversion. 01: Single sweep – The ADC performs one conversion for each of the ADC-configured ports sequentially. The assertion of \overline{CNVT} triggers the single sweep. The sweep starts with the ADC-configured port of lowest index and stops with the ADC-configured port of highest index. 10: Single conversion – The ADC performs one conversion for the current port. It starts with the lowest index port that is ADC-configured, and it progresses to higher index ports as \overline{CNVT} is asserted. 11: Continuous sweep – This mode is not controlled by \overline{CNVT}. The ADC continuously sweeps the ADC-configured ports. |
| 3:2 | DACCTL[1:0] | DAC mode selection <ul style="list-style-type: none"> 00: Sequential update mode for DAC-configured ports. 01: Immediate update mode for DAC-configured ports. The DAC-configured port that received new data is the next port to be updated. After updating that port, the DAC-configured port update sequence continues from that port onward. A minimum of 80μs must be observed before requesting another immediate update. 10: All DAC-configured ports use the same data stored in DACPRSTDAT1[11:0]. 11: All DAC-configured ports use the same data stored in DACPRSTDAT2[11:0]. |
| 5:4 | ADCCONV[1:0] | ADC conversion rate selection <ul style="list-style-type: none"> 00: ADC conversion rate of 200ksps (default) 01: ADC conversion rate of 250ksps 10: ADC conversion rate of 333ksps 11: ADC conversion rate of 400ksps |

Device Control Register (Read/Write) (continued)

| BIT | FIELD NAME | DESCRIPTION |
|------|-------------|--|
| 6 | DACREF | DAC voltage reference selection <ul style="list-style-type: none"> 0: External reference voltage 1: Internal reference voltage |
| 7 | THSHDN | Thermal shutdown enable <ul style="list-style-type: none"> 0: Thermal shutdown function disabled. 1: Thermal shutdown function enabled. If the internal temperature monitor is enabled, and if the internal temperature is measured to be larger than 145°C, the device is reset, thus bringing all channels to high-impedance mode and setting all registers to their default value. |
| 10:8 | TMPCTL[2:0] | Temperature monitor selection <ul style="list-style-type: none"> TMPCTL[0]: Internal temperature monitor (0: disabled; 1: enabled) TMPCTL[1]: 1st external temperature monitor (0: disabled; 1: enabled) TMPCTL[2]: 2nd external temperature monitor (0: disabled; 1: enabled) |
| 11 | TMPPER | Temperature conversion time control <ul style="list-style-type: none"> 0: Default conversion time setting. Selected for junction capacitance filter < 100pF. 1: Extended conversion time setting. Selected for junction capacitance filter from 100pF to 390pF |
| 12 | RS_CANCEL | Temperature sensor series resistor cancellation mode <ul style="list-style-type: none"> 0: Temperature sensor series resistance cancellation disabled. 1: Temperature sensor series resistance cancellation enabled. |
| 13 | LPEN | Power mode selection <ul style="list-style-type: none"> 0: Default power mode for normal operations 1: Lower power mode. The analog ports are in high-impedance mode. The device can be brought out of the lower power mode by deasserting this bit. The device would then undergo the regular power-on sequence. |
| 14 | BRST | Serial interface burst-mode selection <ul style="list-style-type: none"> 0: Default address incrementing mode. The address is automatically incremented by "1" in burst mode. 1: Contextual address incrementing mode. In burst mode, the address automatically points to the next ADC- or DAC-configured port data register. Specifically, when reading ADC data (writing DAC data), the serial interface reads (writes to) only the data registers of those ports that are ADC-configured (DAC-configured). This mode applies to ADC data read and DAC data write, not DAC data read. |
| 15 | RESET | Soft reset control <ul style="list-style-type: none"> Self-clearing soft reset register, equivalent to power-on reset. |

GPI Data Registers (Read)

| BIT | FIELD NAME | DESCRIPTION |
|-------------|-------------------------------|---|
| 15:0 3:0 | GPIDAT[15:0] GPIDAT[19:16] | Data received on GPI ports 0 to 19 <ul style="list-style-type: none"> The data received on GPI-configured ports can be read by the host. For a given port i ($0 \leq i \leq 19$): <ul style="list-style-type: none"> GPIDAT[i] = 0: A logic zero level is received at GPI port i GPIDAT[i] = 1: A logic one level is received at GPI port i |

GPO Data Registers (Read/Write)

| BIT | FIELD NAME | DESCRIPTION |
|-------------|-------------------------------|--|
| 15:0 3:0 | GPODAT[15:0] GPODAT[19:16] | Data transmitted through GPO ports 0 to 19 <ul style="list-style-type: none"> Data written by the host to be transmitted through the GPO-configured ports For a given port i ($0 \leq i \leq 19$): <ul style="list-style-type: none"> GPIDAT[i] = 0: A logic zero level is transmitted through GPO port i GPIDAT[i] = 1: A logic one level is transmitted through GPO port i |

DAC Preset Data Registers (Read/Write)

| BIT | FIELD NAME | DESCRIPTION |
|--------------|--|---|
| 11:0 11:0 | DACPRSTDAT1[11:0] DACPRSTDAT2[11:0] | DAC preset data register 1 and 2 <ul style="list-style-type: none"> DAC data used by all ports configured in a DAC-related mode (1, 3, 4, 5, 6, and 10) Writing to these registers does not alter the contents of the DAC data registers |

Temperature Monitor Configuration Register (Read/Write)

| BIT | FIELD NAME | DESCRIPTION |
|-----|--------------------|---|
| 1:0 | TMPINTMONCFG[1:0] | Number of samples averaged for calculating the internal temperature <ul style="list-style-type: none"> 00: 4 samples 01: 8 samples 10: 16 samples 11: 32 samples |
| 3:2 | TMPEXT1MONCFG[1:0] | Number of samples averaged for calculating the 1st external temperature <ul style="list-style-type: none"> 00: 4 samples 01: 8 samples 10: 16 samples 11: 32 samples |
| 5:4 | TMPEXT2MONCFG[1:0] | Number of samples averaged for calculating the 2nd external temperature <ul style="list-style-type: none"> 00: 4 samples 01: 8 samples 10: 16 samples 11: 32 samples |

Internal Temperature Monitor High Threshold Register (Read/Write)

| BIT | FIELD NAME | DESCRIPTION |
|------|----------------|--|
| 11:0 | TMPINTHI[11:0] | Internal temperature monitor high threshold <ul style="list-style-type: none"> Maximum temperature value beyond which TMPINT[2] is asserted. This value is represented in two's complement; one LSB represents 0.125°C. |

Internal Temperature Monitor Low Threshold Register (Read/Write)

| BIT | FIELD NAME | DESCRIPTION |
|------|----------------|--|
| 11:0 | TMPINTLO[11:0] | Internal temperature monitor low threshold <ul style="list-style-type: none"> Minimum temperature value below which TMPINT[1] is asserted. This value is represented in two's complement; one LSB represents 0.125°C. |

1st External Temperature Monitor High Threshold Register (Read/Write)

| BIT | FIELD NAME | DESCRIPTION |
|------|-----------------|---|
| 11:0 | TMPEXT1HI[11:0] | 1st external temperature monitor high threshold <ul style="list-style-type: none"> Maximum temperature value beyond which TMPEXT1[2] is asserted. This value is represented in two's complement; one LSB represents 0.125°C. |

1st External Temperature Monitor Low Threshold Register (Read/Write)

| BIT | FIELD NAME | DESCRIPTION |
|------|-----------------|---|
| 11:0 | TMPEXT1LO[11:0] | 1st external temperature monitor low threshold <ul style="list-style-type: none"> Minimum temperature value below which TMPEXT1[1] is asserted. This value is represented in two's complement; one LSB represents 0.125°C. |

2nd External Temperature Monitor High Threshold Register (Read/Write)

| BIT | FIELD NAME | DESCRIPTION |
|------|-----------------|---|
| 11:0 | TMPEXT2HI[11:0] | 2nd external temperature monitor high threshold <ul style="list-style-type: none"> Maximum temperature value beyond which TMPEXT2[2] is asserted. This value is represented in two's complement; one LSB represents 0.125°C. |

2nd External Temperature Monitor Low Threshold Register (Read/Write)

| BIT | FIELD NAME | DESCRIPTION |
|------|-----------------|---|
| 11:0 | TMPEXT2LO[11:0] | 2nd external temperature monitor low threshold <ul style="list-style-type: none"> Minimum temperature value below which TMPEXT2[1] is asserted. This value is represented in two's complement; one LSB represents 0.125°C. |

Port Configuration Registers (Read/Write)

| BIT | FIELD NAME | DESCRIPTION | | | | | | | | | | | | | | | | | | | | | | | | | | | |
|------|--|---|-----------------------|-----------------------|-----------------------|-----|-------------------|-------------------|-----|----------|----------|-----|----------|----------|-----|----------|----------|-----|-----------|----------|-----|----------|----------|-----|-----------|----------|-----|----------|----------|
| 11:0 | FUNCPRM_0[11:0] FUNCPRM_1[11:0] FUNCPRM_2[11:0] FUNCPRM_3[11:0] FUNCPRM_4[11:0] FUNCPRM_5[11:0] FUNCPRM_6[11:0] FUNCPRM_7[11:0] FUNCPRM_8[11:0] FUNCPRM_9[11:0] FUNCPRM_10[11:0] FUNCPRM_11[11:0] FUNCPRM_12[11:0] FUNCPRM_13[11:0] FUNCPRM_14[11:0] FUNCPRM_15[11:0] FUNCPRM_16[11:0] FUNCPRM_17[11:0] FUNCPRM_18[11:0] FUNCPRM_19[11:0] | <p>FUNCPRM_i[4:0]: ASSOCIATED PORT</p> <ul style="list-style-type: none"> Defines the port to use in conjunction with a port configured in mode 4, 8, or 11. <p>FUNCPRM_i[7:5]: # OF SAMPLES (for ADC-related functional modes only)</p> <ul style="list-style-type: none"> Defines the number of samples to be captured and averaged before loading the result in the port's ADC data register. The coding of the number of samples is 2^{# OF SAMPLES}. The number of samples to average can be 1, 2, 4, 8, 16, 32, 64, or 128. <p>FUNCPRM_i[10:8]: RANGE</p> <ul style="list-style-type: none"> Determines the input voltage range of ports configured in input modes, or the output voltage range of ports configured in output modes. In ADC- or DAC-related modes, RANGE cannot be set to 000. <table border="1"> <thead> <tr> <th>VOLTAGE RANGE CODES</th> <th>ADC VOLTAGE RANGE (V)</th> <th>DAC VOLTAGE RANGE (V)</th> </tr> </thead> <tbody> <tr> <td>000</td> <td>No Range Selected</td> <td>No Range Selected</td> </tr> <tr> <td>001</td> <td>0 to +10</td> <td>0 to +10</td> </tr> <tr> <td>010</td> <td>-5 to +5</td> <td>-5 to +5</td> </tr> <tr> <td>011</td> <td>-10 to 0</td> <td>-10 to 0</td> </tr> <tr> <td>100</td> <td>0 to +2.5</td> <td>-5 to +5</td> </tr> <tr> <td>101</td> <td>Reserved</td> <td>Reserved</td> </tr> <tr> <td>110</td> <td>0 to +2.5</td> <td>0 to +10</td> </tr> <tr> <td>111</td> <td>Reserved</td> <td>Reserved</td> </tr> </tbody> </table> | VOLTAGE RANGE CODES | ADC VOLTAGE RANGE (V) | DAC VOLTAGE RANGE (V) | 000 | No Range Selected | No Range Selected | 001 | 0 to +10 | 0 to +10 | 010 | -5 to +5 | -5 to +5 | 011 | -10 to 0 | -10 to 0 | 100 | 0 to +2.5 | -5 to +5 | 101 | Reserved | Reserved | 110 | 0 to +2.5 | 0 to +10 | 111 | Reserved | Reserved |
| | VOLTAGE RANGE CODES | ADC VOLTAGE RANGE (V) | DAC VOLTAGE RANGE (V) | | | | | | | | | | | | | | | | | | | | | | | | | | |
| | 000 | No Range Selected | No Range Selected | | | | | | | | | | | | | | | | | | | | | | | | | | |
| | 001 | 0 to +10 | 0 to +10 | | | | | | | | | | | | | | | | | | | | | | | | | | |
| | 010 | -5 to +5 | -5 to +5 | | | | | | | | | | | | | | | | | | | | | | | | | | |
| | 011 | -10 to 0 | -10 to 0 | | | | | | | | | | | | | | | | | | | | | | | | | | |
| | 100 | 0 to +2.5 | -5 to +5 | | | | | | | | | | | | | | | | | | | | | | | | | | |
| | 101 | Reserved | Reserved | | | | | | | | | | | | | | | | | | | | | | | | | | |
| | 110 | 0 to +2.5 | 0 to +10 | | | | | | | | | | | | | | | | | | | | | | | | | | |
| | 111 | Reserved | Reserved | | | | | | | | | | | | | | | | | | | | | | | | | | |
| | | <p>FUNCPRM_i[11]: AVR (for ADC-related functional modes only)</p> <ul style="list-style-type: none"> ADC voltage reference selection <ul style="list-style-type: none"> 0: ADC internal voltage reference 1: ADC external voltage reference (all modes except mode 6) or DAC voltage reference determined by DACREF (mode 6 only) <p>FUNCPRM_i[11]: INV (for GPI-controlled functional modes only)</p> <ul style="list-style-type: none"> Asserted to invert the data received by the GPI-configured port. <ul style="list-style-type: none"> 0: Data received from GPI-configured port is not inverted 1: Data received from GPI-configured port is inverted | | | | | | | | | | | | | | | | | | | | | | | | | | | |

Port Configuration Registers (Read/Write)(continued)

| BIT | FIELD NAME | DESCRIPTION |
|-------|--|---|
| 15:12 | FUNCID_0[3:0] FUNCID_1[3:0] FUNCID_2[3:0] FUNCID_3[3:0] FUNCID_4[3:0] FUNCID_5[3:0] FUNCID_6[3:0] FUNCID_7[3:0] FUNCID_8[3:0] FUNCID_9[3:0] FUNCID_10[3:0] FUNCID_11[3:0] FUNCID_12[3:0] FUNCID_13[3:0] FUNCID_14[3:0] FUNCID_15[3:0] FUNCID_16[3:0] FUNCID_17[3:0] FUNCID_18[3:0] FUNCID_19[3:0] | <p>Functional mode for port i (0 ≤ i ≤ 19)</p> <ul style="list-style-type: none"> • When switching from one mode to another, it is recommended to first switch to the high-impedance mode. The duration for which the device may need to stay in the transitional high-impedance mode depends on the application and hardware configuration. • 0000: Mode 0 - High impedance <ul style="list-style-type: none"> • The port is configured in high-impedance mode. • 0001: Mode 1 - Digital input with programmable threshold, GPI (Figure 8) <ul style="list-style-type: none"> • The port is configured as a GPI whose threshold is set through the DAC data register. The DAC data register for that port needs to be set to the value corresponding to the intended input threshold voltage. Any input voltage above that programmed threshold is reported as a logic one. The input voltage must be between 0V and 5V. • To avoid false interrupts, the port's GPIERMSK register bit must be asserted. The DAC data register can then be set for the desired threshold voltage. It may take up to 1ms for the threshold voltage to be effective. The port's GPIMD register bit is set next. At that point, GPIERMSK can be deasserted for the port to start detecting events. The data resulting from the comparison between the threshold voltage and the voltage at the port can be read from the corresponding GPIDAT register bit. • 0010: Mode 2 - Bidirectional level translator terminal (Figure 11) <ul style="list-style-type: none"> • Any pair of adjacent ports can form a bidirectional level translator path. Only the lower index port of the pair needs to be configured to enable this mode. The other port (index + 1) must be set in high-impedance mode. • Port 19 cannot be set in mode 2. • The activity on this port is observable through its GPI path. The GPI-related registers are configured as described for mode 1. |

Port Configuration Registers (Read/Write)(continued)

| BIT | FIELD NAME | DESCRIPTION |
|-----|------------|---|
| | | <ul style="list-style-type: none"> • 0011: Mode 3 - Register-driven digital output with DAC-controlled level, GPO (Figure 9) <ul style="list-style-type: none"> • The port is configured as a GPO driven by the corresponding GPODAT register bit. The logic one level is set by the DAC data register of that port. • The port's DAC data register needs to be set first. It may require up to 1ms for the port to be ready to produce the desired logic one level. At that point, the port can be set in mode 3. The logic level at the port is then controlled by the corresponding GPODAT register bit. • 0100: Mode 4 - Unidirectional path output with DAC-controlled level, GPO (Figure 10) <ul style="list-style-type: none"> • The port is configured as a GPO forming the output of a unidirectional level translator path. The input port of that path is specified by the functional parameter, ASSOCIATED PORT, and that port must be separately configured in GPI mode. The port's DAC data register defines the logic one level. The data received by the GPI-configured port is transmitted by this port configured in mode 4. • The data from the associated GPI-configured port can be inverted by asserting the functional parameter INV. • Multiple ports configured in mode 4 can refer to the same GPI-configured port through the functional parameter, ASSOCIATED PORT. Therefore, one GPI-configured port can transmit its data to multiple ports configured in mode 4. • To avoid false interrupts and unexpected activity at the port configured in mode 4, the GPI port must be configured before this port is configured in mode 4. • Functional parameters to be set: INV, ASSOCIATED PORT • 0101: Mode 5 - Analog output for DAC (Figure 6) <ul style="list-style-type: none"> • The port's DAC data register must be set for the desired voltage at the port. It may take up to 1ms for the port to reflect the data written in the DAC data register. • Functional parameters to be set: RANGE (codes 001, 010, and 011 apply to this mode). • 0110: Mode 6 - Analog output for DAC with ADC monitoring (Figure 7) <ul style="list-style-type: none"> • In addition to the functionality of mode 5, the port is sampled by the ADC. The result of the ADC conversion is stored in the port's ADC data register. The host can access that register to monitor the voltage at the port. • When the ADC input voltage range is set from 0V to 2.5V, (RANGE = 100 or 110), the DAC data register value must be limited to the range of values corresponding to 0V to 2.5V at the port. Internally, the DAC data register value is clipped, so that the PIXI port voltage is contained within a range from 0V to 5V to prevent device damage. • Functional parameters to be set: AVR, RANGE • 0111: Mode 7 - Positive analog input to single-ended ADC (Figure 3) <ul style="list-style-type: none"> • The port is configured as a single-ended ADC input. • Functional parameters to be set: AVR, RANGE, # OF SAMPLES • 1000: Mode 8 - Positive analog input to differential ADC (Figure 4) <ul style="list-style-type: none"> • The port is configured as a differential ADC positive input. • Functional parameters to be set: AVR, RANGE, # OF SAMPLES, ASSOCIATED PORT |

Port Configuration Registers (Read/Write)(continued)

| BIT | FIELD NAME | DESCRIPTION |
|-----|------------|--|
| | | <ul style="list-style-type: none"> • 1001: Mode 9 - Negative analog input to differential ADC <ul style="list-style-type: none"> • The port is configured as a differential ADC negative input. • The number of samples to average is defined by the associated positive port. The functional parameters AVR and RANGE must be identical to those used by the corresponding positive port. • A port configured in mode 9 can be associated to more than one port configured in mode 8. • Functional parameters to be set: AVR, RANGE • 1010: Mode 10 - Analog output for DAC and negative analog input to differential ADC (Figure 5) <ul style="list-style-type: none"> • While this port drives the voltage corresponding to its DAC data register, it also operates as the negative input for the ADC. • The number of samples to average is defined by the associated positive port. The functional parameters AVR and RANGE must be identical to those used by the corresponding positive port. • A port configured in mode 10 can be associated to more than one port configured in mode 8. • When the ADC input voltage range is set from 0V to 2.5V (RANGE = 100 or 110), the DAC data register value must be limited to the range of values corresponding to 0V to 2.5V at the port. Internally, the DAC data register value is clipped, so that the PIXI port voltage is contained within a range from 0V to 5V to prevent device damage. • Functional parameters to be set: AVR, RANGE • 1011: Mode 11 - Terminal to GPI-controlled analog switch (Figure 12) <ul style="list-style-type: none"> • In this mode, two adjacent ports can be connected together through an analog switch controlled by a GPI-configured port (designated by the functional parameter ASSOCIATED PORT). This function involves three ports. The switch controlling port needs to be separately configured in GPI mode. Only the port with the lower index needs to be configured in mode 11. The port with the higher index can be configured in any other mode, except mode 2. If the port of higher index operates in an ADC-related mode (mode 6, 7, 8, or 9), the signals applied to the port in mode 11 must comply with the input voltage range for which the port of higher index is configured. • Port 19 cannot be configured in mode 11, as there is no switch between ports 0 and 19. • Functional parameters to be set: INV, ASSOCIATED PORT • 1100: Mode 12 - Terminal to register-controlled analog switch <ul style="list-style-type: none"> • This mode is identical to Mode 11, except that the switch remains closed as long as this port is configured in mode 12. |

Table 4. Port Functional Modes

| MODE | DESCRIPTION | FUNCID[3:0] | | | | FUNCPRM[11:0] | | | | | | | | | | | |
|------|--|-------------|----|----|----|---------------|-------|---|---|--------------|---|---|------------------|---|---|---|---|
| | | 15 | 14 | 13 | 12 | 11 | 10 | 9 | 8 | 7 | 6 | 5 | 4 | 3 | 2 | 1 | 0 |
| 0 | High impedance | 0 | 0 | 0 | 0 | | | | | | | | | | | | |
| 1 | Digital input with programmable threshold, GPI | 0 | 0 | 0 | 1 | | | | | | | | | | | | |
| 2 | Bidirectional level translator terminal | 0 | 0 | 1 | 0 | | | | | | | | | | | | |
| 3 | Register-driven digital output with DAC-controlled level, GPO | 0 | 0 | 1 | 1 | | | | | | | | | | | | |
| 4 | Unidirectional path output with DAC-controlled level, GPO | 0 | 1 | 0 | 0 | INV | | | | | | | ASSOCIATED PORT* | | | | |
| 5 | Analog output for DAC | 0 | 1 | 0 | 1 | | RANGE | | | | | | | | | | |
| 6 | Analog output for DAC with ADC monitoring | 0 | 1 | 1 | 0 | AVR | RANGE | | | | | | | | | | |
| 7 | Positive analog input to single-ended ADC | 0 | 1 | 1 | 1 | AVR | RANGE | | | # OF SAMPLES | | | | | | | |
| 8 | Positive analog input to differential ADC | 1 | 0 | 0 | 0 | AVR | RANGE | | | # OF SAMPLES | | | ASSOCIATED PORT* | | | | |
| 9 | Negative analog input to differential ADC | 1 | 0 | 0 | 1 | AVR | RANGE | | | | | | | | | | |
| 10 | Analog output for DAC and negative analog input to differential ADC (pseudo-differential mode) | 1 | 0 | 1 | 0 | AVR | RANGE | | | | | | | | | | |
| 11 | Terminal to GPI-controlled analog switch | 1 | 0 | 1 | 1 | INV | | | | | | | ASSOCIATED PORT* | | | | |
| 12 | Terminal to register-controlled analog switch | 1 | 1 | 0 | 0 | | | | | | | | | | | | |

*Port must be configured separately to a compatible mode.

ADC Data Registers (Read)

| BIT | FIELD NAME | DESCRIPTION |
|------|--|--|
| 11:0 | ADCDAT_0[11:0] ADCDAT_1[11:0] ADCDAT_2[11:0] ADCDAT_3[11:0] ADCDAT_4[11:0] ADCDAT_5[11:0] ADCDAT_6[11:0] ADCDAT_7[11:0] ADCDAT_8[11:0] ADCDAT_9[11:0] ADCDAT_10[11:0] ADCDAT_11[11:0] ADCDAT_12[11:0] ADCDAT_13[11:0] ADCDAT_14[11:0] ADCDAT_15[11:0] ADCDAT_16[11:0] ADCDAT_17[11:0] ADCDAT_18[11:0] ADCDAT_19[11:0] | ADC data for port i (0≤i≤19) <ul style="list-style-type: none"> 12-bit data produced by the ADC when converting the analog input signal on port i. The conversion result is represented in straight binary for ports configured in single-ended mode (modes 6, 7), and in two's complement for ports configured as an ADC positive input (mode 8) in differential or pseudo-differential mode (mode 9). The ADC data register of the port configured as an ADC negative input in differential (mode 9) or pseudo-differential mode (mode 10) contains 0x0000. |

DAC Data Registers (Read/Write)

| BIT | FIELD NAME | DESCRIPTION |
|------|--|--|
| 11:0 | DACDAT_0[11:0] DACDAT_1[11:0] DACDAT_2[11:0] DACDAT_3[11:0] DACDAT_4[11:0] DACDAT_5[11:0] DACDAT_6[11:0] DACDAT_7[11:0] DACDAT_8[11:0] DACDAT_9[11:0] DACDAT_10[11:0] DACDAT_11[11:0] DACDAT_12[11:0] DACDAT_13[11:0] DACDAT_14[11:0] DACDAT_15[11:0] DACDAT_16[11:0] DACDAT_17[11:0] DACDAT_18[11:0] DACDAT_19[11:0] | DAC data for port i (0≤i≤19) <ul style="list-style-type: none"> 12-bit DAC data for port i. The data is represented in straight binary. |

Applications Information

Configuration Flow Chart

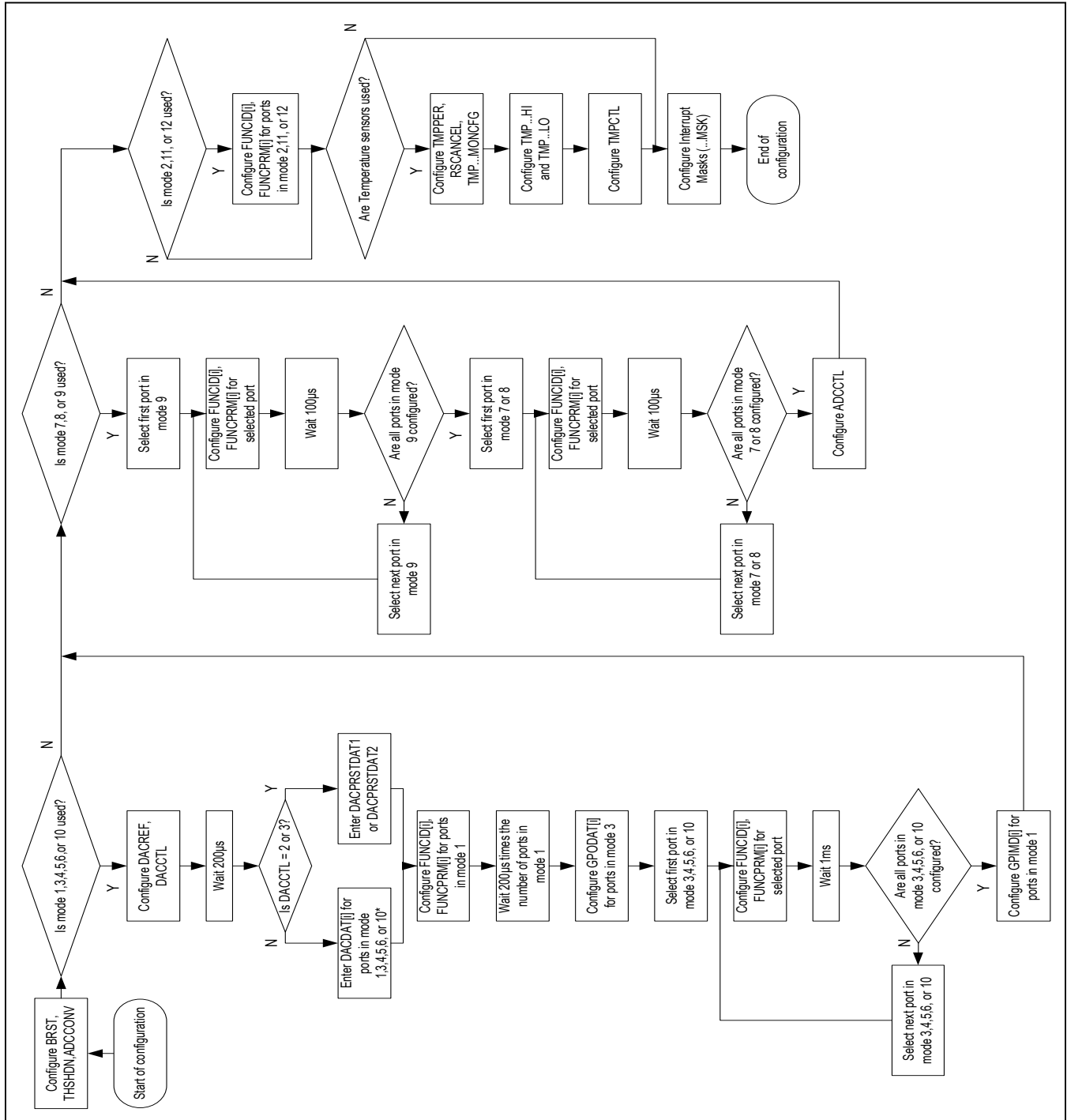


Figure 14. PIXI Port Configuration Flow Chart

Configuration Software (GUI)

To simplify use of the MAX11300, Maxim has created a GUI for users to easily configure the device for unique application needs with a simple drag and drop. The soft-

ware generates register addresses and corresponding register values. [Figure 15](#) shows an example of this software with a few functional connections.

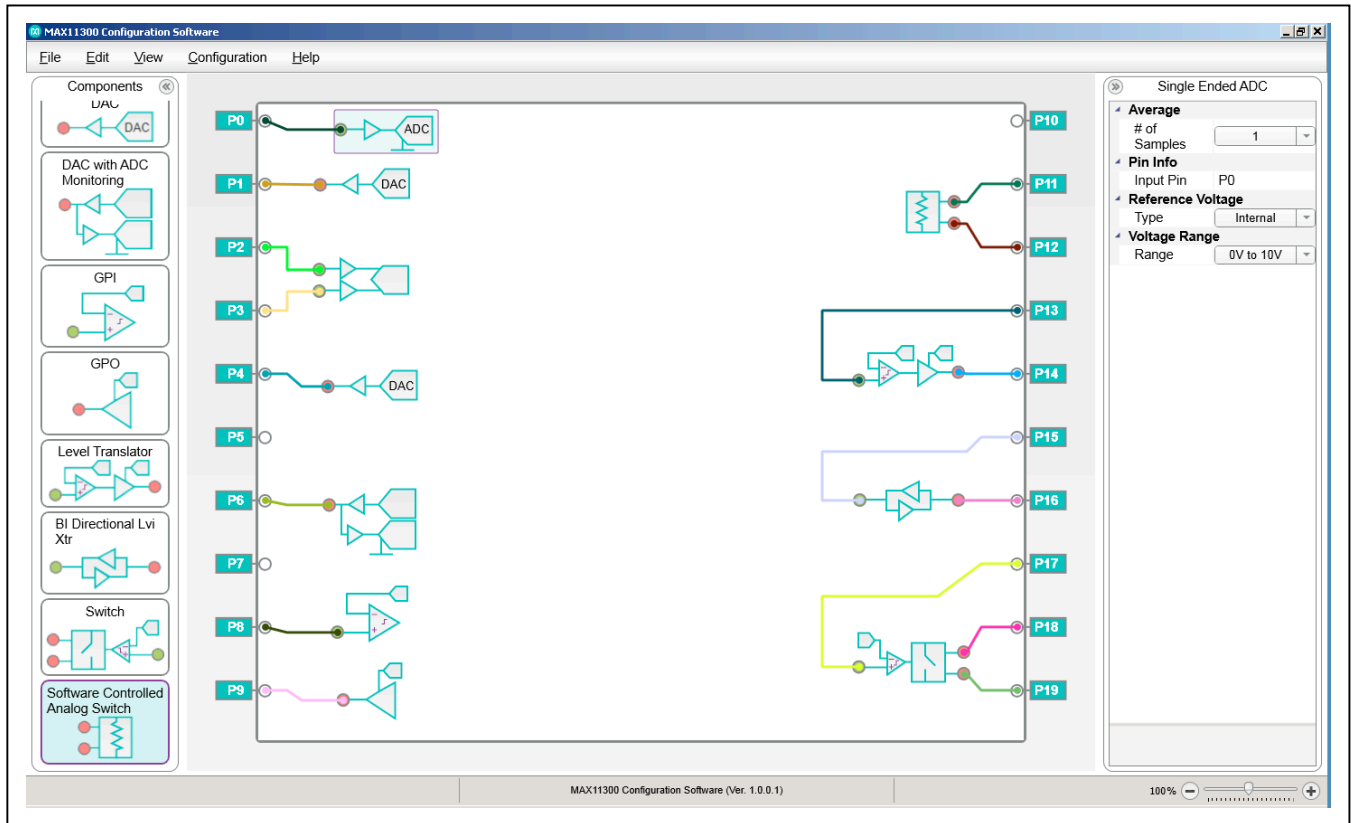


Figure 15. Example of GUI to Develop Configuration File

Configuration Software Output File

| | | | |
|------------------------|----------------------|--------------|---|
| Generated on | dd/mm/yyyy hr:min | | |
| | | | |
| SUPPLY | VOLTAGE | | |
| VDDIO | 12.5 | | |
| VSSIO | -2.5 | | |
| AVDD | 5 | | |
| DVDD | 3.3 | | |
| ADC_EXT_REF | 2.5 | | |
| DAC_REF | 2.5 | | |
| | | | |
| NAME | ADDRESS | VALUE | DESCRIPTION |
| gpo_data_15_to_0 | 0x0D | 0x0000 | GPO data for PIXI ports 15 to 0 |
| gpo_data_19_to_16 | 0x0E | 0x0000 | GPO data for PIXI ports 19 to 16 |
| device_control | 0x10 | 0x00c0 | Device main control register |
| interrupt_mask | 0x11 | 0xffff | Interrupt mask register |
| gpi_irqmode_7_to_0 | 0x12 | 0x0000 | GPI port 0 to 7 mode register |
| gpi_irqmode_15_to_8 | 0x13 | 0x0000 | GPI port 8 to 15 mode register |
| gpi_irqmode_19_to_16 | 0x14 | 0x0000 | GPI port 16 to 19 mode register |
| dac_preset_data_1 | 0x16 | 0x0000 | DAC preset data #1 |
| dac_preset_data_2 | 0x17 | 0x0000 | DAC preset data #2 |
| tmp_mon_cfg | 0x18 | 0x0000 | Temperature monitor configuration |
| tmp_mon_int_hi_thresh | 0x19 | 0x07ff | Internal temperature monitor high threshold |
| tmp_mon_int_lo_thresh | 0x1A | 0x0800 | Internal temperature monitor low threshold |
| tmp_mon_ext1_hi_thresh | 0x1B | 0x07ff | 1st external temperature monitor high threshold |
| tmp_mon_ext1_lo_thresh | 0x1C | 0x0800 | 1st external temperature monitor low threshold |
| tmp_mon_ext2_hi_thresh | 0x1D | 0x07ff | 2nd external temperature monitor high threshold |
| tmp_mon_ext2_lo_thresh | 0x1E | 0x0800 | 2nd external temperature monitor low threshold |
| port_cfg_00 | 0x20 | 0x7100 | Configuration register for PIXI port 0 |
| port_cfg_01 | 0x21 | 0x5100 | Configuration register for PIXI port 1 |
| port_cfg_02 | 0x22 | 0x8103 | Configuration register for PIXI port 2 |
| port_cfg_03 | 0x23 | 0x9100 | Configuration register for PIXI port 3 |
| port_cfg_04 | 0x24 | 0x5100 | Configuration register for PIXI port 4 |
| port_cfg_05 | 0x25 | 0x0000 | Configuration register for PIXI port 5 |
| port_cfg_06 | 0x26 | 0x6100 | Configuration register for PIXI port 6 |
| port_cfg_07 | 0x27 | 0x0000 | Configuration register for PIXI port 7 |
| port_cfg_08 | 0x28 | 0x1000 | Configuration register for PIXI port 8 |
| port_cfg_09 | 0x29 | 0x3000 | Configuration register for PIXI port 9 |
| port_cfg_10 | 0x2A | 0x0000 | Configuration register for PIXI port 10 |

Configuration Software Output File (continued)

| NAME | ADDRESS | VALUE | DESCRIPTION |
|------------------|---------|--------|---|
| port_cfg_11 | 0x2B | 0xc000 | Configuration register for PIXI port 11 |
| port_cfg_12 | 0x2C | 0x0000 | Configuration register for PIXI port 12 |
| port_cfg_13 | 0x2D | 0x1000 | Configuration register for PIXI port 13 |
| port_cfg_14 | 0x2E | 0x400d | Configuration register for PIXI port 14 |
| port_cfg_15 | 0x2F | 0x2000 | Configuration register for PIXI port 15 |
| port_cfg_16 | 0x30 | 0x0000 | Configuration register for PIXI port 16 |
| port_cfg_17 | 0x31 | 0x1000 | Configuration register for PIXI port 17 |
| port_cfg_18 | 0x32 | 0xb011 | Configuration register for PIXI port 18 |
| port_cfg_19 | 0x33 | 0x0000 | Configuration register for PIXI port 19 |
| dac_data_port_00 | 0x60 | 0x0000 | DAC data register for PIXI port 0 |
| dac_data_port_01 | 0x61 | 0x0000 | DAC data register for PIXI port 1 |
| dac_data_port_02 | 0x62 | 0x0000 | DAC data register for PIXI port 2 |
| dac_data_port_03 | 0x63 | 0x0000 | DAC data register for PIXI port 3 |
| dac_data_port_04 | 0x64 | 0x0000 | DAC data register for PIXI port 4 |
| dac_data_port_05 | 0x65 | 0x0000 | DAC data register for PIXI port 5 |
| dac_data_port_06 | 0x66 | 0x0000 | DAC data register for PIXI port 6 |
| dac_data_port_07 | 0x67 | 0x0000 | DAC data register for PIXI port 7 |
| dac_data_port_08 | 0x68 | 0x0666 | DAC data register for PIXI port 8 |
| dac_data_port_09 | 0x69 | 0x0666 | DAC data register for PIXI port 9 |
| dac_data_port_10 | 0x6A | 0x0000 | DAC data register for PIXI port 10 |
| dac_data_port_11 | 0x6B | 0x0000 | DAC data register for PIXI port 11 |
| dac_data_port_12 | 0x6C | 0x0000 | DAC data register for PIXI port 12 |
| dac_data_port_13 | 0x6D | 0x0666 | DAC data register for PIXI port 13 |
| dac_data_port_14 | 0x6E | 0x0666 | DAC data register for PIXI port 14 |
| dac_data_port_15 | 0x6F | 0x0000 | DAC data register for PIXI port 15 |
| dac_data_port_16 | 0x70 | 0x0000 | DAC data register for PIXI port 16 |
| dac_data_port_17 | 0x71 | 0x0666 | DAC data register for PIXI port 17 |
| dac_data_port_18 | 0x72 | 0x0000 | DAC data register for PIXI port 18 |
| dac_data_port_19 | 0x73 | 0x0000 | DAC data register for PIXI port 19 |

Layout, Grounding, Bypassing

For best performance, use PCBs with a solid ground plane. Ensure that digital and analog signal lines are separated from each other. Do not run analog and digital (especially clock) lines parallel to one another or digital lines underneath the MAX11300 package. Noise in AVDD, AGND, AVDDIO, AVSSIO, ADC_REF_INT, ADC_EXT_INT, and DAC_REF affects the device performance. Bypass AVDD, DVDD, AVDDIO, and AVSSIO to ground

with 0.1 μ F and 10 μ F bypass capacitors. Bypass ADC_INT_REF and DAC_REF to ground with capacitors whose values are shown in the *REF Electrical Specifications* table. Bypass ADC_EXT_REF to ground with a 4.7 μ F capacitor. Place the bypass capacitors as close as possible to the respective pins and minimize capacitor lead and trace lengths for best supply-noise rejection. For optimum heat dissipation, connect the exposed pad (EP) to a large copper area, such as a ground plane.

MAX11300

PIXI, 20-Port Programmable Mixed-Signal I/O with 12-Bit ADC, 12-Bit DAC, Analog Switches, and GPIO

Ordering Information

| PART | TEMP RANGE | PIN-PACKAGE |
|--------------|-----------------|-------------|
| MAX11300GCM+ | -40°C to +105°C | 48 TQFP-EP* |
| MAX11300GTL+ | -40°C to +105°C | 40 TQFN-EP* |

+Denotes a lead(Pb)-free/RoHS-compliant package.

*EP = Exposed pad.

Chip Information

PROCESS: BiCMOS

Package Information

For the latest package outline information and land patterns (footprints), go to www.maximintegrated.com/packages. Note that a "+", "#", or "-" in the package code indicates RoHS status only. Package drawings may show a different suffix character, but the drawing pertains to the package regardless of RoHS status.

| PACKAGE TYPE | PACKAGE CODE | OUTLINE NO. | LAND PATTERN NO. |
|--------------|--------------|-------------------------|-------------------------|
| 40 TQFN-EP | T4066+3 | 21-0141 | 90-0054 |
| 48 TQFP-EP | C48E+8 | 21-0065 | 90-0138 |

MAX11300

PIXI, 20-Port Programmable Mixed-Signal I/O with
12-Bit ADC, 12-Bit DAC, Analog Switches, and GPIO

Revision History

| REVISION NUMBER | REVISION DATE | DESCRIPTION | PAGES CHANGED |
|-----------------|---------------|---|--|
| 0 | 3/14 | Initial release | — |
| 1 | 10/14 | Revised <i>General Description, Features, Electrical Characteristics, Typical Operating Characteristics, Recommended VDDIO/VSSIO Supply Selection, Typical Application Circuits, Table 3, Ordering Information, Device Control Register (Read/Write), ADC Data Registers, Figure 15, Configuration Software Output File</i> | 1, 3–7, 10, 11, 12, 22, 23, 32–36, 42, 50, 52–55 |

For pricing, delivery, and ordering information, please contact Maxim Direct at 1-888-629-4642, or visit Maxim Integrated's website at www.maximintegrated.com.

Maxim Integrated cannot assume responsibility for use of any circuitry other than circuitry entirely embodied in a Maxim Integrated product. No circuit patent licenses are implied. Maxim Integrated reserves the right to change the circuitry and specifications without notice at any time. The parametric values (min and max limits) shown in the Electrical Characteristics table are guaranteed. Other parametric values quoted in this data sheet are provided for guidance.