

D2 Series

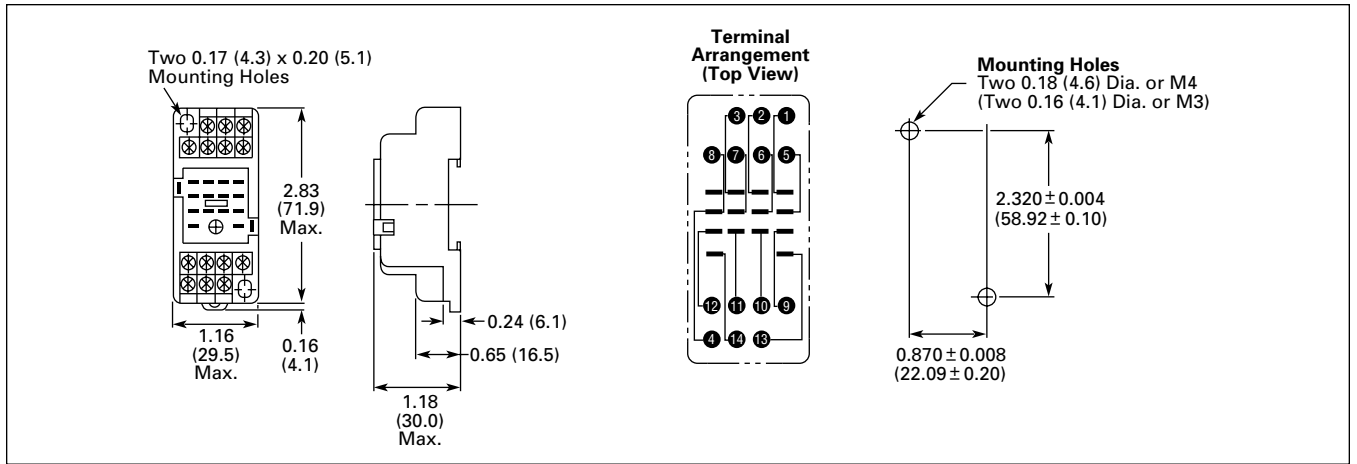


Figure 49-6. D2PA4 — Approximate Dimensions in Inches (mm)

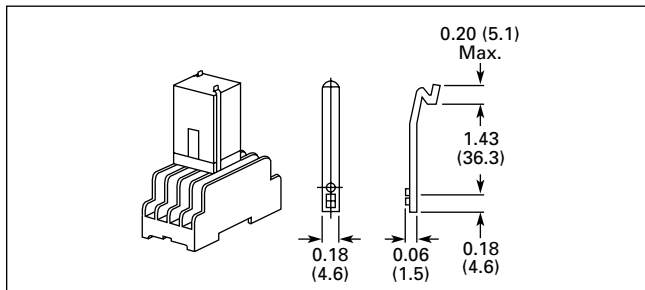


Figure 49-7. PYC-A1 Hold down Clip — Approximate Dimensions in Inches (mm)

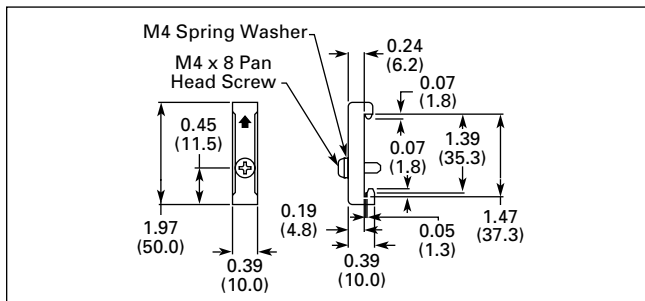
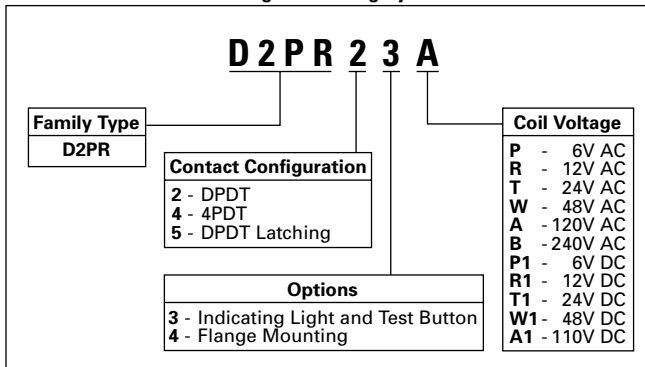


Figure 49-8. PFP-M DIN Rail End Stop — Approximate Dimensions in Inches (mm)

Catalog Number Selection

Table 49-5. D2 Series Catalog Numbering System



Product Selection

Table 49-6. Product Selection — Relays ①

	Catalog Number	Std. Pack	Price U.S. \$
DIN Rail or Panel Mounting Sockets			
2-Pole	D2PA2	10	5.00
4-Pole	D2PA4	10	7.60
Accessories			
Hold Down Spring	PYC-A1	100	1.20
DIN Rail End Stop	PFP-M	100	1.70
Standard DPDT			
Coil Voltage:			
24V AC	D2PR2T		7.15
110V AC	D2PR2A		7.15
240V AC	D2PR2B		7.15
24V DC	D2PR2T1		7.15
DPDT with Indicating Light and Test Button			
24V AC	D2PR23T		10.00
110V AC	D2PR23A		10.00
24V DC	D2PR23T1		10.00
DPDT Flange Mount			
110V AC	D2PR24A		7.30
Standard 4PDT			
Coil Voltage:			
24V AC	D2PR4T		8.40
110V AC	D2PR4A		8.40
12V DC	D2PR4R1		8.40
24V DC	D2PR4T1		8.40
110V DC	D2PR4A1		8.40
4PDT with Indicating Light and Test Button			
24V AC	D2PR43T		11.30
110V AC	D2PR43A		11.30
12V DC	D2PR43R1		11.30
24V DC	D2PR43T1		11.30
4PDT Flange Mount			
110V AC	D2PR44A		8.40
24V DC	D2PR44T1		8.40
DPDT Latching			
110V AC	D2PR5A		27.25
24V DC	D2PR5T1		27.25

① Additional coil voltages available — consult Sales Office or Customer Support Center.

Discount Symbol 1CD1

D2 Series

D2 Series




D2 Series Relay

Features

- Ultra-high sensitivity relay with quick response
- Designed small, 2-pole type break 5A load and 4-pole type, 3A load
- High reliability, long life
- Panel, DIN rail and flange mounting

Standards and Certifications

 File # E37317, E65657

 File # LR701519

Technical Data

Table 49-2. Coil Resistance

Coil Voltage	Ohms	mA	
		50 Hz	60 Hz
6V AC	12.2	214.1	183
12V AC	46	106.5	91
24V AC	180	53.8	46
48V AC	788	25.7	22
110/120V AC	4430	9.9/10.8	8.4/9.2
220/240V AC	18790	4.8/5.3	4.2/4.6
6V DC	40	150	
12V DC	160	75	
24V DC	650	036.9	
48V DC	2600	18.5	
100/110V DC	11000	7.1/10	

Table 49-3. Relay/Socket Quick Reference

Relay Type	Socket	Hold Down Spring
D2PR2	D2PA2	PYC-A1
D2PR4	D2PA4	PYC-A1
D2PR5	D2PA4	PYC-A1

Table 49-4. Specifications

	D2PR2		D2PR4/D2PR5	
	Resistive Load (p.f. = 1)	Inductive Load (p.f. = 0.4, L/R = 7 ms)	Resistive Load (p.f. = 1)	Inductive Load (p.f. = 0.4, L/R = 7 ms)
Rated Load	220V AC 5A 24V DC 5A	220V AC 2A 24V DC 2A	220V AC 3A 24V DC 3A	220V AC 0.8A 24V DC 1.5A
Carry Current	5A	5A	3A	3A
Max. Operating Voltage	250V AC/125V DC		250V AC/125V DC	250V AC/125V DC
Max. Operating Current	5A	5A	3A	3A
Contact Material	Ag		Ag (Au flashed)	Ag (Au flashed)
Max. Switching Capacity	1100 VA 120W	440 VA 48W	660 VA 72W	176 VA 36W
Min. Permissible Load	100 mA, 5V DC		1 mA, 1V DC	1 mA, 1V DC
Pickup Voltage (max.)	80%		80%	80%
Drop Out Voltage (min.)	30% AC, 10% DC		30% AC, 10% DC	30% AC, 10% DC
Set/Reset Voltage (max.)	—		80% (latch type only)	80% (latch type only)
Voltage (max.)	110%		110%	110%
Mechanical Life (min.)	20,000,000	20,000,000	20,000,000 (100,000,000 latch type)	20,000,000 (100,000,000 latch type)
Electrical Life @ All Contact Ratings (min.)	500,000	500,000	200,000	200,000
Maximum hp Ratings	1/10 hp (120V AC)	1/10 hp (120V AC)	1/8 hp (265V AC)	1/8 hp (265V AC)