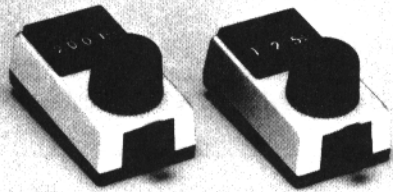


**Series DR  
Digital Readout Dials**



**Description**

The DR series is designed specifically for multi-turn potentiometers. The removable knob exposes end of the component shaft for precise phasing. An excellent complement to our 73JA, 73JB, and 62JA potentiometers.

**Features**

- Large, highly readable numerals
- Positive breaking action
- Attractive appearance

**Series DR Specifications**

*Operation (3 Digit/10 turn)*

The left digit indicates the number of complete revolutions of the turning knob and the right two digits indicate the percent of a revolution. The unit registers a total count of 999.

*Operation (4 Digit/100 turn)*

The left two digits indicate the number of complete revolutions of the turning knob and the right two digits indicate the percent of a revolution. The unit registers a total count of 9999.

*Accuracy*

Graduation lines adjacent to the numerals on the right digit wheel indicate settings of .2% of a revolution of the turning knob.

*Rotation*

The indication shall increase with clockwise rotation of the turning knob.

*Specifications continued, next column*

*Specifications continued*

*Numerals*

The numerals shall be white on a black background and .130 in. high (3.30 mm).

*Phasing*

The dial shall have the features of being phased during the mounting operation by rotating the exposed component shaft to correspond with the desired reading on the dial prior to tightening the set screws.

*Mounting*

The spring detented knob shall be removed using a straight pull, exposing two No. 4.40 hex socket set screws for mounting the dial directly to the component shaft.

*Finish*

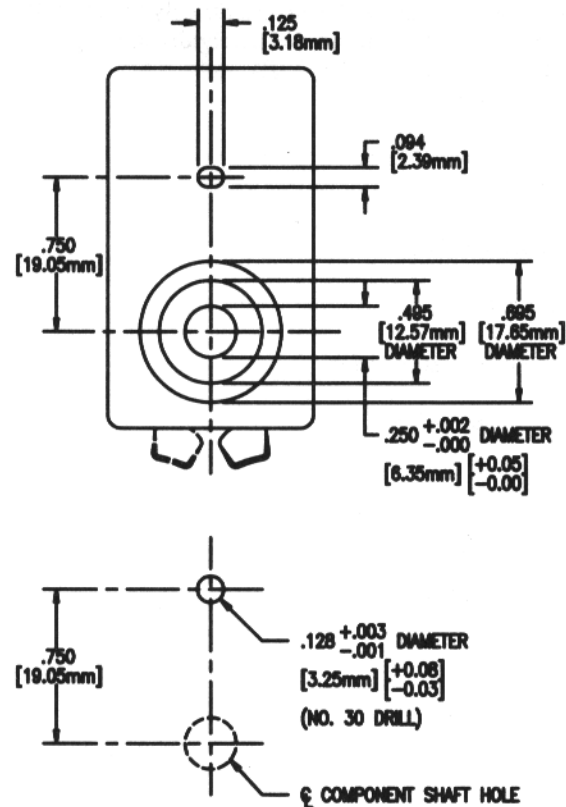
Cover: metal finish knobs  
Bezel and base: matte black plastic

*Weight*

1.6 ounces (45.36 gm)

*Figure 1*

**Series DR, Digi-Dial Dimensions**



**TOLERANCES: UNLESS OTHERWISE NOTED**  
**DECIMALS:  $\pm .005$  [ $\pm 0.13$ ]**  
**ANGLES:  $\pm 2^\circ$**   
**BASIC DIMENSIONS ARE IN INCHES**  
**MILLIMETER DIMENSIONS IN BRACKETS**

*Dimensions continued, next page*

Series DR DIGI-Dial Dimensions

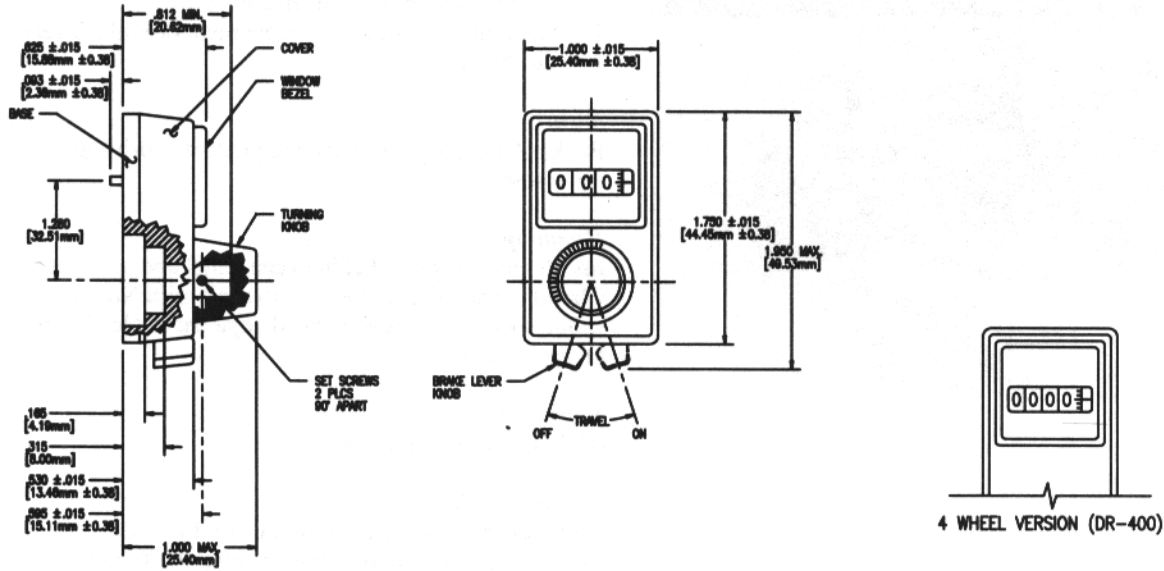
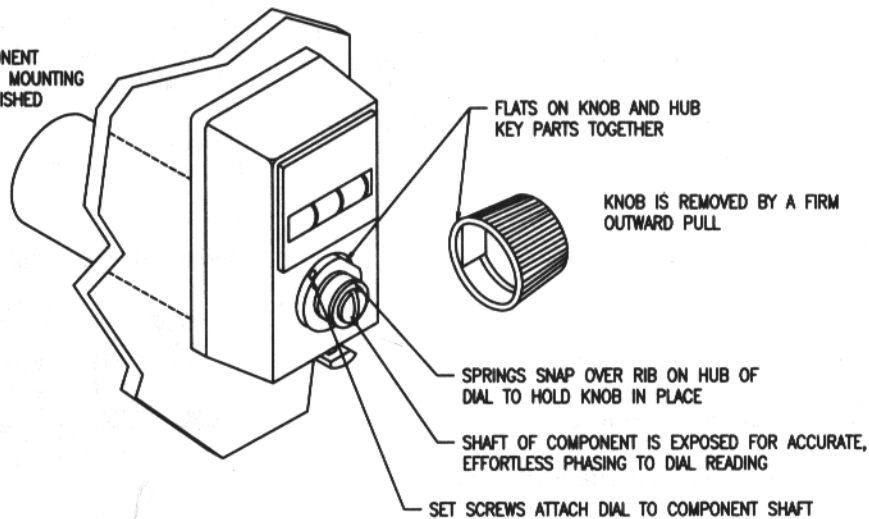


Figure 3

Series DR Mounting Illustration

REMOVEABLE KNOB EXPOSES END OF COMPONENT SHAFT FOR PRECISE PHASING, KNOB COVERS MOUNTING SET SCREWS TO GIVE UNIT SMOOTH, UNBLEMISHED APPEARANCE.



Series DR How To Order

| Catalog Number | Description              |
|----------------|--------------------------|
| DR300          | 3 digit, metallic finish |
| DR400          | 4 digit, metallic finish |