

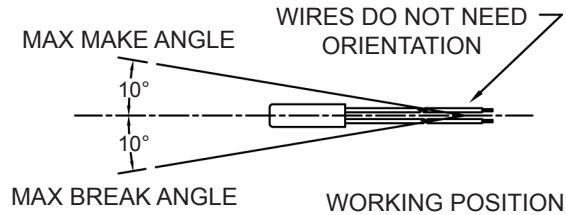
**Part Number: PD6010**  
**N.O. Power Tilt Switch**  
**Product Data Sheet**

## PICTURE

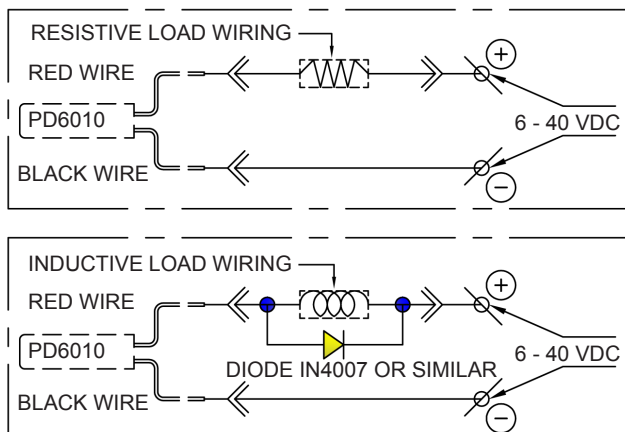


**✓ RoHS Compliant**

## OPERATION



## WIRING DIAGRAM



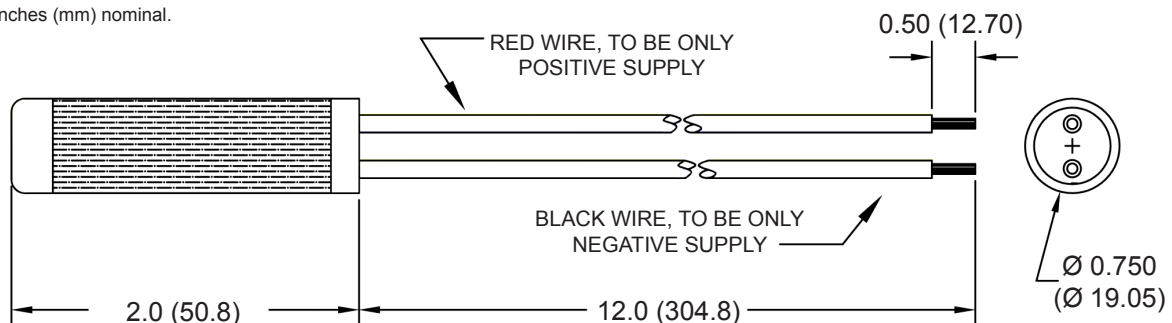
## FEATURES

- Resistant to Ambient Environmental Conditions
- Housing Material : ABS Plastic
- Construction : Thermo Resist Epoxy Encapsulated
- Wires : #16 AWG Stranded Copper
- Mechanical Stress Resistant
- Limited Anti Vibration Feature
- Reverse Polarity Protection

**WHEN LOAD IS INDUCTIVE USE PROTECTIVE DIODE IN4007 OR SIMILAR**

## DIMENSIONS

Drawings not to scale.  
 All dimensions in inches (mm) nominal.



## SPECIFICATION

Operating Voltage Range	6 - 40 VDC
Load Current MAX	20 Amps
Load Current MIN	1.5 Amps
Differential Angle	10° MAX
Operation Temperature	-40°C to 176°C

As part of the company policy of continued product improvement, specifications may change without notice. Our sales office will be pleased to help you with the latest information on this product range and the details of our full design and manufacturing service. All products are supplied to our standard conditions of sale unless otherwise agreed in writing.

**Phone: (1) 973 777 6900**

**www.comus-intl.com**

**Fax: (1) 973 777 8405**