

# G2038-G3031



## Features:

- The lid and base incorporate a tongue and groove sealing system with a EPDM gasket.
- Wall mounting holes and lid fixing screws are outside the sealing area thus preventing the ingress of moisture and dust.
- Designed to IP65 of IEC 529 (Dust and Hoseproof).
- Available with clear or light grey lids.
- Internal guide slots for mounting PCB assemblies vertically.
- Bosses on internal base allow fixing of PCB's horizontally or connection of terminals with M3X4mm self-tapping screws.

## Specifications:

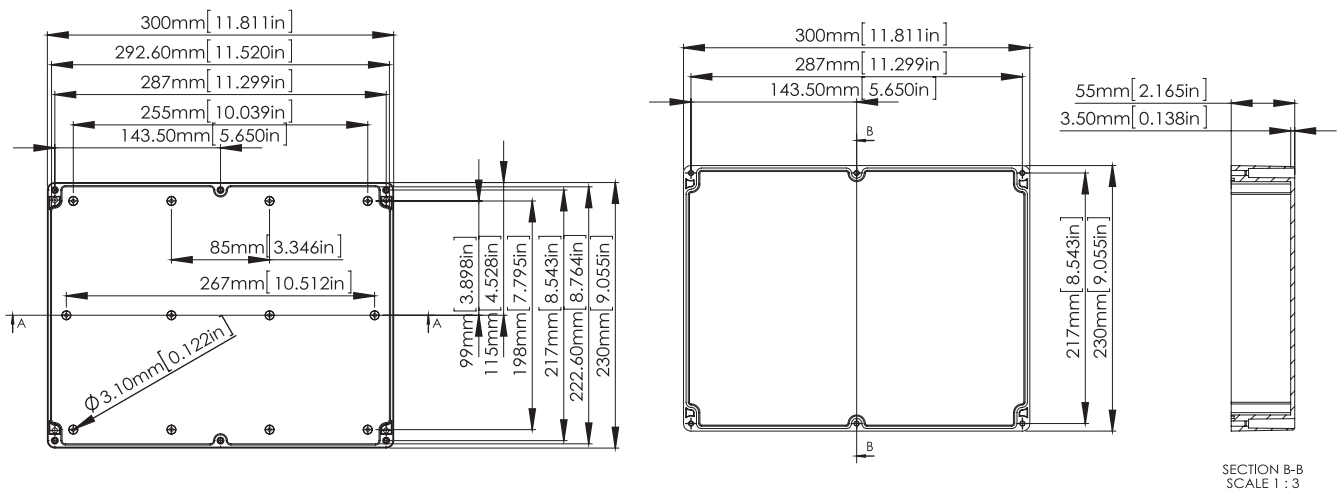
### Polycarbonate

Material : Polycarbonate (UL94-HB)  
 Moulded in : Light Grey  
 Operating temperature : -40°C to 120°C  
 Does has anti-UV of capability

### ABS

Material : High Impact ABS (UL94-HB)  
 Moulded in : Dark Grey.  
 Operating temperature : -20°C to 80°C  
 Does not have anti-UV of capability

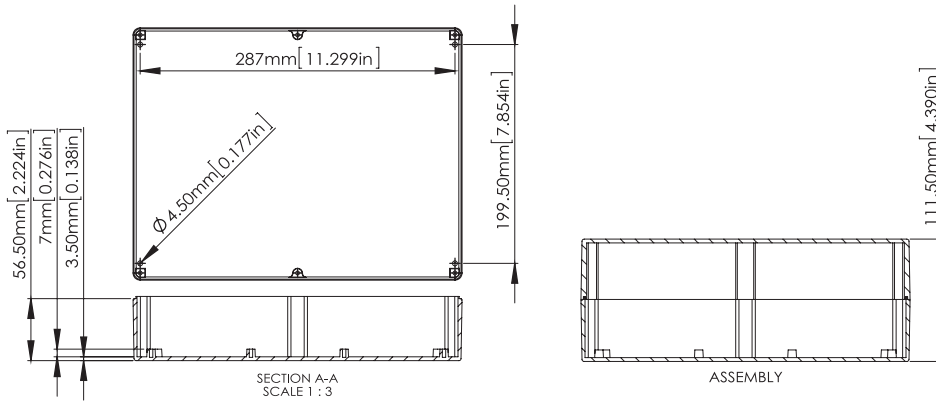
## G2038 / G3031



Dimensions : Millimetres (Inches)

[www.element14.com](http://www.element14.com)  
[www.farnell.com](http://www.farnell.com)  
[www.newark.com](http://www.newark.com)





According to ISO 2768-m	
Measuring DIM=L	Tolerances
0.5<L<=3.0mm	±0.1mm
3.0<L<=6.0 mm	±0.1mm
6.0<L<=30.0 mm	±0.2mm
30.0<L<=120.0 mm	±0.3mm
120.0<L<=400.0 mm	±0.5mm
400.0<L<=1000.0 mm	±0.8mm

## Part Number Table

Description	Part Number
Box, Polycarbonate, 300mm × 230mm × 111mm	G2038
Box, ABS, IP65, 300mm × 230mm × 111mm	G3031

**Important Notice :** This data sheet and its contents (the "Information") belong to the members of the Premier Farnell group of companies (the "Group") or are licensed to it. No licence is granted for the use of it other than for information purposes in connection with the products to which it relates. No licence of any intellectual property rights is granted. The Information is subject to change without notice and replaces all data sheets previously supplied. The Information supplied is believed to be accurate but the Group assumes no responsibility for its accuracy or completeness, any error in or omission from it or for any use made of it. Users of this data sheet should check for themselves the Information and the suitability of the products for their purpose and not make any assumptions based on information included or omitted. Liability for loss or damage resulting from any reliance on the Information or use of it (including liability resulting from negligence or where the Group was aware of the possibility of such loss or damage arising) is excluded. This will not operate to limit or restrict the Group's liability for death or personal injury resulting from its negligence. Multicomp is the registered trademark of the Group. © Premier Farnell plc 2012.