

Flush-type connector - SACC-CIP-M12MST-4P SMD SH T - 1411962


Please be informed that the data shown in this PDF Document is generated from our Online Catalog. Please find the complete data in the user's documentation. Our General Terms of Use for Downloads are valid (<http://phoenixcontact.com/download>)



Flush-type connector, 4-position, PlugLink:straightLink:M12, T power, PCB mounting, SMD



Key Commercial Data

Packing unit	60 pc
Minimum order quantity	60 pc
GTIN	 4 046356 991605
Weight per Piece (excluding packing)	4.76 g
Custom tariff number	85366990
Country of origin	Germany
Product key	ABQEAC
Note	Made to Order (non-returnable)

Technical data

Ambient conditions

Ambient temperature (operation)	-25 °C ... 105 °C (Plug / socket)
	-40 °C ... 105 °C (without mechanical actuation)
Degree of protection	IP67 (correctly plugged in and locked)
	IP65 (not plugged in, by means of additional O-ring seal with device)

General

Note	The electrical and mechanical data specified assume that the connector pair is correctly locked and mounted. If the connector is unlocked and if there is a danger of contamination, the connector must be sealed using a protective cap > IP54. Influences arising from litz wires, cables or PCB assembly must also be taken into consideration.
Rated current at 40°C	12 A
Rated voltage	60 V
Rated surge voltage	1.5 kV
Number of positions	4
Insulation resistance	≥ 100 MΩ

Flush-type connector - SACC-CIP-M12MST-4P SMD SH T - 1411962

Technical data

General

Coding	T power
Standards/regulations	M12 connector IEC 61076-2-111 In line with
Overvoltage category	III
Pollution degree	3
Connection method	SMD
Insertion/withdrawal cycles	> 100
Mounting type	PCB mounting
Type of packaging	Tray

Material

Flammability rating according to UL 94	V0
Contact material	CuZn
Contact surface material	Au
Contact carrier material	PA
Sealing material	FKM

Standards and Regulations

Standard designation	M12 connector
Standards/regulations	IEC 61076-2-111
Flammability rating according to UL 94	V0

Classifications

eCl@ss

eCl@ss 5.1	27143423
eCl@ss 6.0	27143423
eCl@ss 8.0	27440103

ETIM

ETIM 5.0	EC002061
----------	----------

Approvals

Approvals

Approvals

UL Listed / cUL Listed / cULus Listed

Ex Approvals

Flush-type connector - SACC-CIP-M12MST-4P SMD SH T - 1411962

Approvals

Approvals submitted

Approval details

UL Listed	
Nominal current IN	10 A
Nominal voltage UN	63 V

cUL Listed	
Nominal current IN	8 A
Nominal voltage UN	63 V

cULus Listed	
--------------	--

Accessories

Accessories

Contact insert

Sample set - SACC-CIP-M12MST-4P SMD SH-SP - 1418644



Sample set, 4-position, PlugLink:straightLink:M12, T power, PCB mounting

Panel mounting base

Housing screw connection - SACC-BP-M-M12/M15-6-SMD - 1414000



Housing screw connection, PlugLink:M12, Rear mounting, M15 x 1

Flush-type connector - SACC-CIP-M12MST-4P SMD SH T - 1411962

Accessories

Housing screw connection - SACC-BP-M-M12/M15-6-SMD SCO - 1414002



Housing screw connection, PlugLink:M12-SPEEDCON, Rear mounting, M15 x 1

Housing screw connection - SACC-FP-M-M12/M14 SMD - 1412078



Housing screw connection, PlugLink:M12, Front mounting, M14 x 1

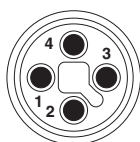
Housing screw connection - SACC-FP-M-M12/PRESS SMD - 1412080



Housing screw connection, pin, for the two-part M12 SMD connector, for press-in mounting.

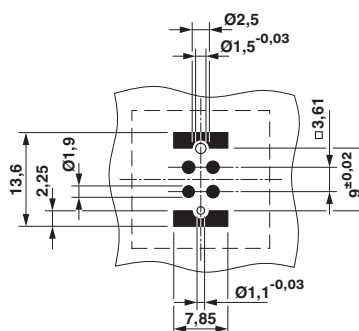
Drawings

Schematic diagram



Connector pin assignment of M12 plug, 4-pos., T-coded, view of pin side

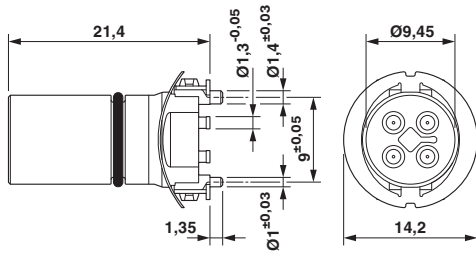
Drilling diagram



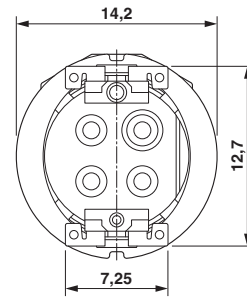
Soldering pad geometry

Flush-type connector - SACC-CIP-M12MST-4P SMD SH T - 1411962

Dimensional drawing



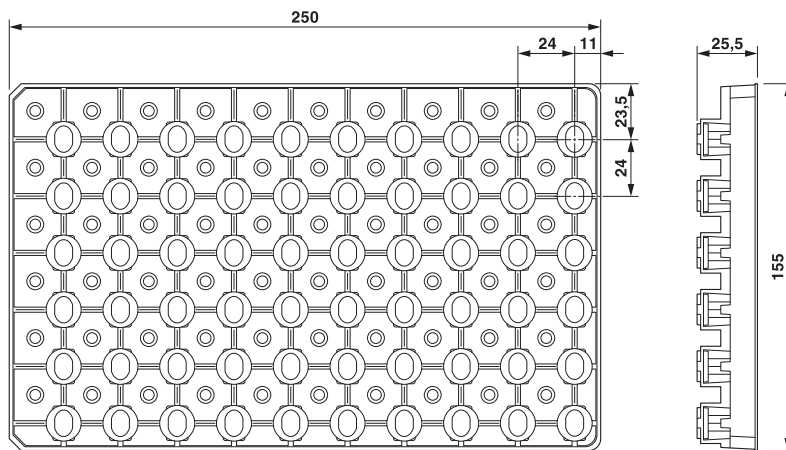
Dimensional drawing



M12 male connector contact carrier

View of solder side

Dimensional drawing



SMD tray packaging