

Housing screw connection - SACC-BP-M-M12/M15-7-THR - 1413996

Please be informed that the data shown in this PDF Document is generated from our Online Catalog. Please find the complete data in the user's documentation. Our General Terms of Use for Downloads are valid (<http://phoenixcontact.com/download>)



Housing screw connection, PlugLink:M12, Rear mounting, M15 x 1



Key Commercial Data

Packing unit	1
GTIN	 4 055626 022666
Custom tariff number	85366990

Technical data

Ambient conditions

Ambient temperature (operation)	-25 °C ... 85 °C (Plug / socket)
	-40 °C ... 85 °C (without mechanical actuation)
Degree of protection	IP67

General

Note	The electrical and mechanical data specified assume that the connector pair is correctly locked and mounted. If the connector is unlocked and if there is a danger of contamination, the connector must be sealed using a protective cap > IP54. Influences arising from litz wires, cables or PCB assembly must also be taken into consideration.
Standards/regulations	M12 connector IEC 61076-2-101 In line with
Insertion/withdrawal cycles	> 100
Torque	1.5 Nm ... 2 Nm (Installation-side)
Mounting type	Rear mounting M15 x 1 Spacing between the top edge of the PCB and the back of the front plate: 7 mm

Material

Material, knurls	Zinc die-cast, nickel-plated
Material	Zinc die-cast (nickel-plated)
Sealing material	FKM (O-ring on housing)
Additional material specifications	Brass, nickel-plated (Locking nut)

Housing screw connection - SACC-BP-M-M12/M15-7-THR - 1413996

Technical data

Standards and Regulations

Standard designation	M12 connector
Standards/regulations	IEC 61076-2-101

Classifications

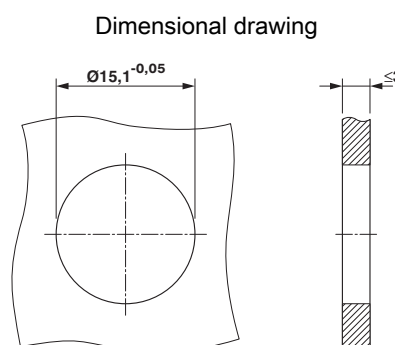
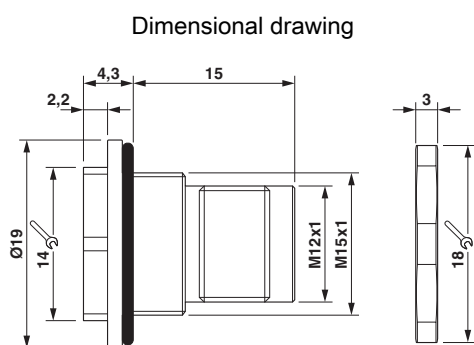
eCl@ss

eCl@ss 5.1	27143423
eCl@ss 6.0	27143423
eCl@ss 8.0	23100602

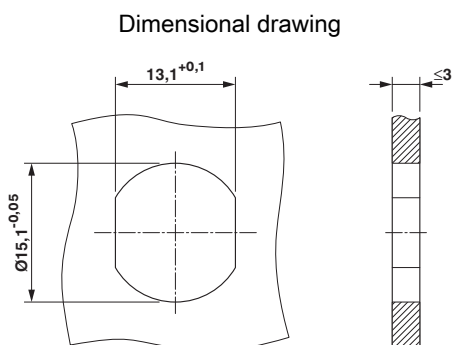
ETIM

ETIM 4.0	EC001855
ETIM 5.0	EC002350

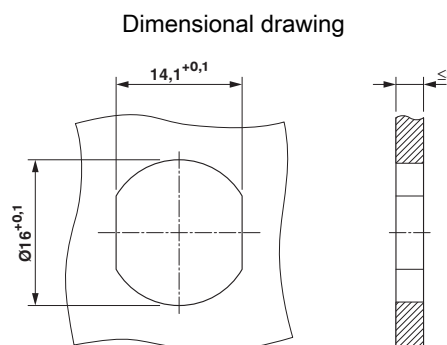
Drawings



Housing section with without anti-rotation protection



Housing section with anti-rotation protection



Housing section with anti-rotation protection. Housing screw connection pre-assembled on insulating body with subsequent mounting in the front plate.

