

PLEASE CHECK WWW.MOLEX.COM FOR LATEST PART INFORMATION

Part Number: [0352841615](#)
Status: **Active**
Description: 2.28mm Tab Wire-to-Wire Uniconn Housing, Female, 16 Circuits

Documents:

[3D Model](#) [Packaging Specification PK-35284-001 \(PDF\)](#)
[Drawing \(PDF\)](#) [RoHS Certificate of Compliance \(PDF\)](#)
[Product Specification PS-35282-001 \(PDF\)](#)

General

Product Family Crimp Housings
 Series [35284](#)
 Application Power, Wire-to-Wire
 Product Name Uniconn
 UPC 800754846073

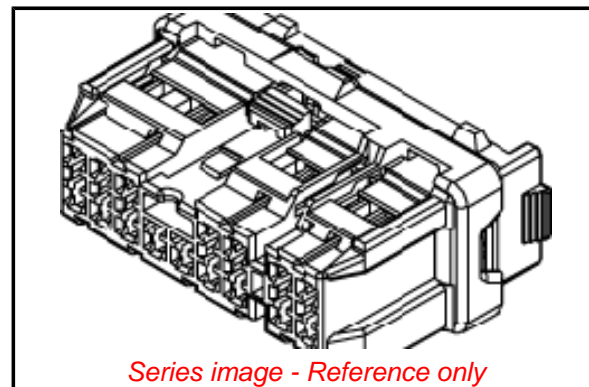
Physical

Circuits (maximum) 16
 Color - Resin Black, Gray
 Gender Female
 Glow-Wire Compliant No
 Material - Resin Polyester
 Net Weight 8.607/g
 Number of Rows 2
 Packaging Type Bag
 Panel Mount No
 Pitch - Mating Interface 3.81mm
 Temperature Range - Operating -40°C to +80°C

Material Info

Reference - Drawing Numbers

Packaging Specification PK-35284-001
 Product Specification PS-35282-001
 Sales Drawing SD-35284-161*, SD-35284-1610



Series image - Reference only

EU ELV

Compliant

EU RoHS

Compliant

REACH SVHC

Contains SVHC(2015
 June 15): No

Halogen-Free

Status

Not Relevant

Need more information on product environmental compliance?

Email productcompliance@molex.com
 Please visit the [Contact Us](#) section for any non-product compliance questions.

China ROHS

ELV

China RoHS

Not Relevant

Compliant

Search Parts in this Series

[35284 Series](#)

Mates With

[35282](#)

Use With

[35420](#) , [35421](#)