

PLEASE CHECK WWW.MOLEX.COM FOR LATEST PART INFORMATION

Part Number: [0522660211](#)
Status: **Active**
Overview: Mizu-P25™ Miniature Waterproof Connectors
Description: Mizu-P25™ 2.50mm Pitch Waterproof Wire-to-Wire Plug Housing, 2 Circuits

Documents:

3D Model	Application Specification AS-52213-001-JP (PDF)
Drawing (PDF)	Packaging Specification PK-52266-001 (PDF)
Product Specification PS-52213-003 (PDF)	RoHS Certificate of Compliance (PDF)
Application Specification AS-52213-001 (PDF)	

Agency Certification

UL E29179

General

Product Family	Crimp Housings
Series	52266
Application	Signal, Wire-to-Wire
Application Tooling Part Link	57147-6000
Application Tooling Part Link	57170-6000
Application Tooling Part Link	62202-4400
Comments	See Product Specification for maximum current rating by wire A
MolexKits	Yes
Overview	Mizu-P25™ Miniature Waterproof Connectors
Product Name	Mizu-P25™ Waterproof, Splash Proof
UPC	800754378765

Physical

Circuits (maximum)	2
Color - Resin	Black
Flammability	94V-0
Gender	Male
Glow-Wire Compliant	No
Lock to Mating Part	Yes
Material - Resin	Polyester
Net Weight	852.700/mg
Number of Rows	1
Packaging Type	Tray
Panel Mount	No
Pitch - Mating Interface	2.50mm
Stackable	No
Temperature Range - Operating	-40°C to +105°C

Electrical

Current - Maximum per Contact 4.0A

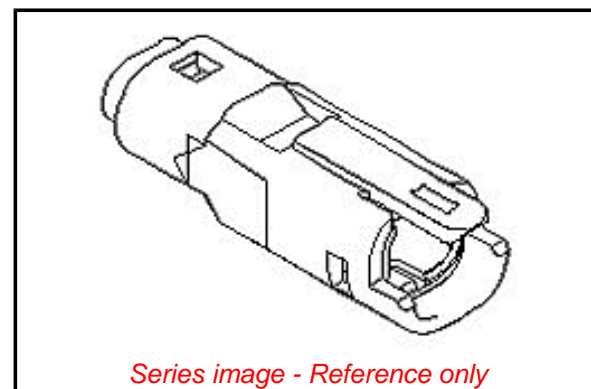
Solder Process Data

Lead-freeProcess Capability N/A

Material Info

Reference - Drawing Numbers

Application Specification	AS-52213-001, AS-52213-001-JP
Packaging Specification	PK-52266-001
Product Specification	PS-52213-003, RPS-52213-001, RPS-52213-002, RPS-52266-001
Sales Drawing	SD-52266-003



Series image - Reference only

EU ELV

Compliant

EU RoHS

Compliant

REACH SVHC

No -ED/39/2015 (15 June 2015)

Halogen-Free

Status

Not Low-Halogen

Need more information on product environmental compliance?

Email productcompliance@molex.com
Please visit the [Contact Us](#) section for any non-product compliance questions.

China ROHS

ELV

China RoHS

Green Image

Compliant

Search Parts in this Series

[52266 Series](#)

Mates With

[52213 Mizu-P25™ 2.50mm Pitch Waterproof Wire-to-Wire Receptacle Housing](#)

Use With

[50147 Mizu-P25™ Crimp Terminal](#)

Application Tooling | FAQ

Tooling specifications and manuals are found by selecting the products below. Crimp Height Specifications are then contained in the Application Tooling Specification document.

Global

Description

Sealing Cap Hand Tool

Product #

[0622024400](#)

Japan

Description	Product #
Sealing Cap	0571476000
Attachment Tool	

This document was generated on 11/30/2015

PLEASE CHECK WWW.MOLEX.COM FOR LATEST PART INFORMATION