

PLEASE CHECK WWW.MOLEX.COM FOR LATEST PART INFORMATION

Part Number: **0743204000**

Status: **Active**

Overview: MicroCross™ DVI Connectors and Cable Assemblies

Description: MicroCross™ DVI-D Digital Visual Interface, PCB Receptacle, Panel Mount, Polyester (PCT), Through Hole, 2.34mm PC Tail Length, Right Angle, 0.76µm Gold (Au), Lead-Free, Screw Hole, 24 Circuits

Documents:

[Drawing \(PDF\)](#)

[Product Specification PS-74320-001 \(PDF\)](#)

[Test Summary TS-74320-001 \(PDF\)](#)

[RoHS Certificate of Compliance \(PDF\)](#)

Agency Certification

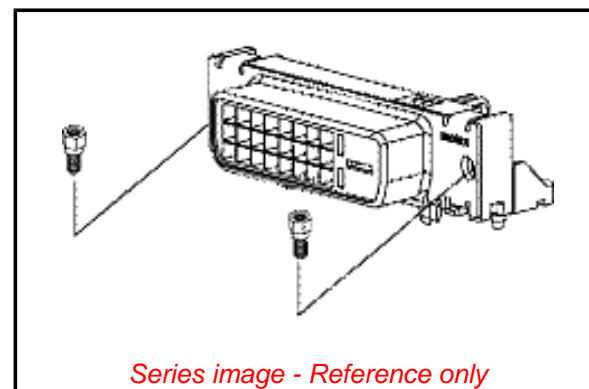
UL E29179

General

Product Family I/O Connectors
 Series 74320
 Application Wire-to-Board
 Comments DDWG (Digital Display Working Group) Standard
 Component Type Receptacle
 Electrical Model Yes
 MolexKits Yes
 Overview MicroCross™ DVI Connectors and Cable Assemblies
 Product Name MicroCross™DVI
 Type N/A
 UPC 800754009980

Physical

Boot Color N/A
 Circuits (Loaded) 24
 Circuits (maximum) 24
 Color - Resin Natural
 Durability (mating cycles max) 100
 Flammability 94V-0
 Gender Receptacle
 Keying to Mating Part Yes
 Lock to Mating Part Yes
 Material - Metal Copper Alloy
 Material - Plating Mating Gold
 Material - Plating Termination Tin
 Net Weight 6.630/g
 Number of Rows 3
 Orientation Right Angle
 PC Tail Length 2.34mm
 PCB Locator Yes
 PCB Retention Yes
 Packaging Type Tray
 Panel Mount Yes
 Pitch - Mating Interface 1.90mm
 Pitch - Termination Interface 1.90mm
 Plating min - Mating 0.762µm
 Plating min - Termination 2.540µm
 Polarized to Mating Part Yes
 Polarized to PCB Yes
 Ports 1
 Surface Mount Compatible (SMC) No
 Temperature Range - Operating -20°C to +85°C



Series image - Reference only

EU ELV

Not Relevant

EU RoHS

Compliant

REACH SVHC

Contains SVHC(2015 June 15): No

Halogen-Free

Status

Not Low-Halogen

Need more information on product environmental compliance?

Email productcompliance@molex.com
 Please visit the [Contact Us](#) section for any non-product compliance questions.

China ROHS

ELV

China RoHS

Green Image

Not Relevant

Search Parts in this Series

74320 Series

Mates With

88744 , 74323

Use With

Hex Screw Kit 71781-1000 or 71781-2000

Termination Interface: Style	Through Hole
Waterproof / Dustproof	No
Wire Size AWG	N/A

Electrical

Current - Maximum per Contact	3.0A
Grounding to Panel	Yes
Shield Type	Full Shield
Shielded	Yes
Voltage - Maximum	40V AC (RMS)

Solder Process Data

Duration at Max. Process Temperature (seconds)	010
Lead-free Process Capability	WAVE
Max. Cycles at Max. Process Temperature	001
Process Temperature max. C	260

Material Info**Reference - Drawing Numbers**

Electrical Model Document	EE-74320-001
Product Specification	PS-74320-001
S-Parameter Model	SP-74320-001
Sales Drawing	SD-74320-003
Test Summary	TS-74320-001

This document was generated on 10/29/2015

PLEASE CHECK WWW.MOLEX.COM FOR LATEST PART INFORMATION