

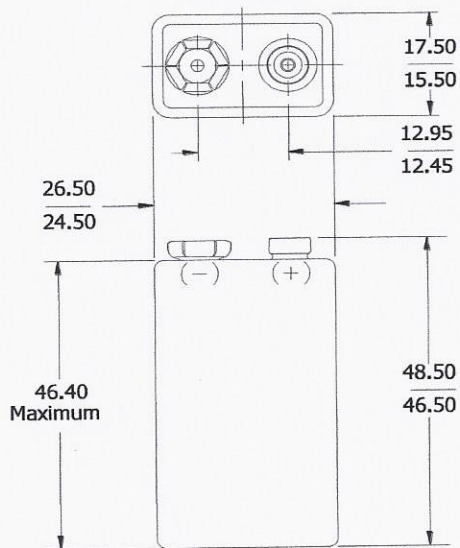
(6LR61)

9V



Industry Standard Dimensions

(millimeters)

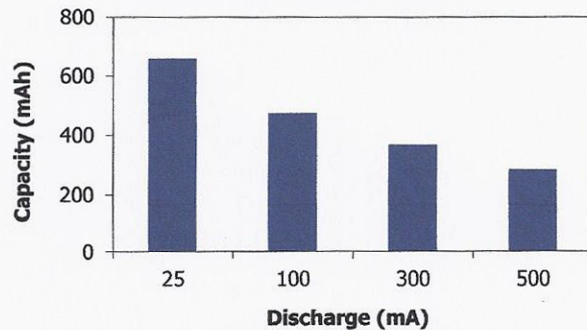


Specifications

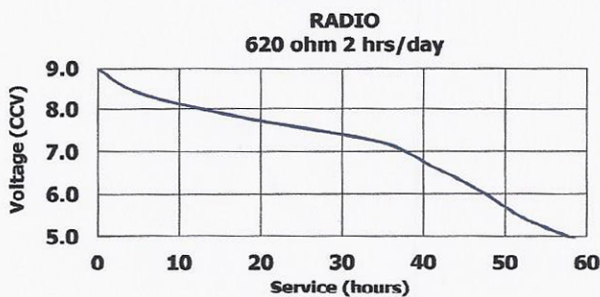
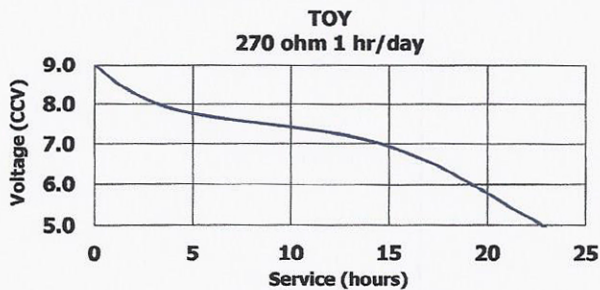
Classification:	Alkaline
Chemical System:	Zinc-Manganese Dioxide (Zn/MnO ₂) No added mercury or cadmium
Designation:	IEC-6LR61
Nominal Voltage:	1.5 volts
Operating Temp:	-18°C to 55°C
Typical Weight:	46.0 grams
Typical Volume:	21.0 cubic centimeters
Jacket:	Metal
Shelf Life:	5 years at 21°C
Terminal:	Miniature Snap

Milliamp-Hours Capacity

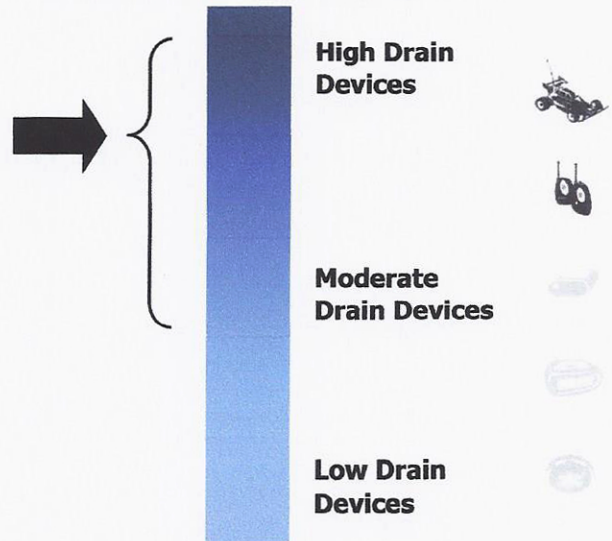
Continuous discharge to 4.8 volts at 21°C



Industry Standard Testing (21°C):



Battery Selection Indicator



Pack Quantity : 1
Manufacturers Part Number : E300116700