

ENERGIZER CR1216

Lithium Coin

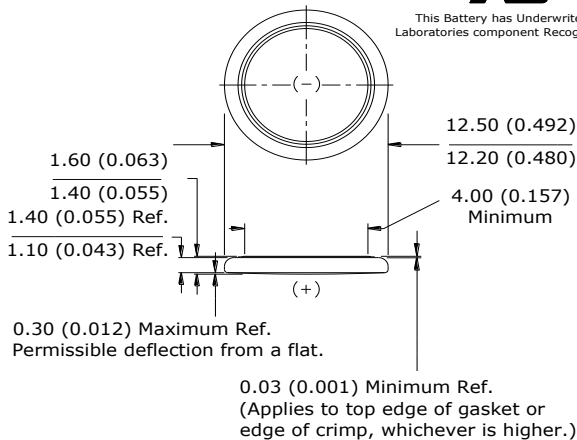


Industry Standard Dimensions

mm (inches)



This Battery has Underwriters Laboratories component Recognition



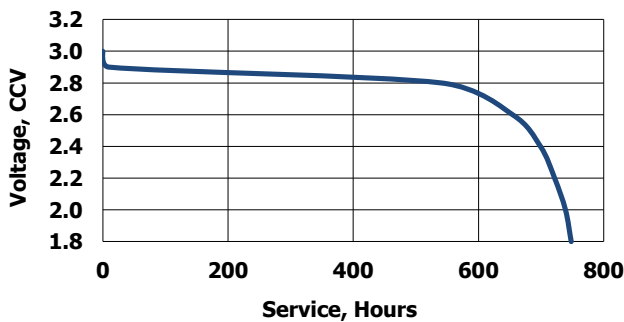
Simulated Application test

Typical Performance at 21°C (70°F)

Schedule:	Typical Drains: at 2.85V (mA)	Load (ohms)	Cutoff 2.0V (hours)
Continuous	0.046	62,000	739

Typical Discharge Characteristics

Load: 62,000 ohms - Continuous
Typical Drain @ 2.85V: 0.046 mA

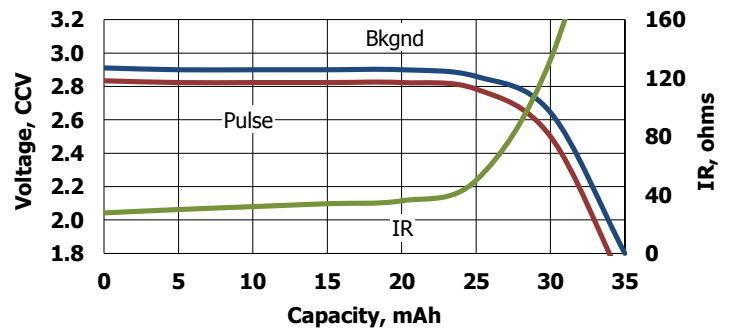


Internal Resistance Characteristics

Pulse Test at 21°C (70°F)

Bkgnd Drain: Continuous
62K ohms
0.046 mA @2.85V

Pulse Drain: 2 seconds X 12 times/day
1K ohms
2.8 mA @2.8V



Specifications

Classification:	"Lithium Coin"
Chemical System:	Lithium / Manganese Dioxide (Li/MnO ₂)
Designation:	ANSI-5034LC, IEC-CR1216
Nominal Voltage:	3.0 Volts
Typical Capacity:	34 mAh (to 2.0 volts) (Rated at 62K ohms at 21°C)
Typical Weight:	0.6 grams (0.02 oz.)
Typical Volume:	0.2 cubic centimeters (0.01 cubic inch)
Max Rev Charge:	1 microampere
Energy Density:	118 milliwatt hr/g, 413 milliwatt hr/cc
Typical Li Content:	0.008 grams (0.0003 oz.)
UL Recognized:	MH29980
Operating Temp:	-30C to 70C
Self Discharge:	~1% / year

Safety:



(1) KEEP OUT OF REACH OF CHILDREN. Swallowing may lead to serious injury or death in as little as 2 hours due to chemical burns and potential perforation of the esophagus. **Immediately see doctor; have doctor phone (202) 625-3333.**

(2) Battery compartment design. To prevent children from removing batteries, battery compartments should be designed with one of the following methods: a) a tool such as screwdriver or coin is required to open battery compartment or b) the battery compartment door/cover requires the application of a minimum of two independent and simultaneous movements of the securing mechanism to open by hand. Screws should remain captive with the battery door or cover.

Pack Quantity : 1
Manufacturers Part Number : E300163400