

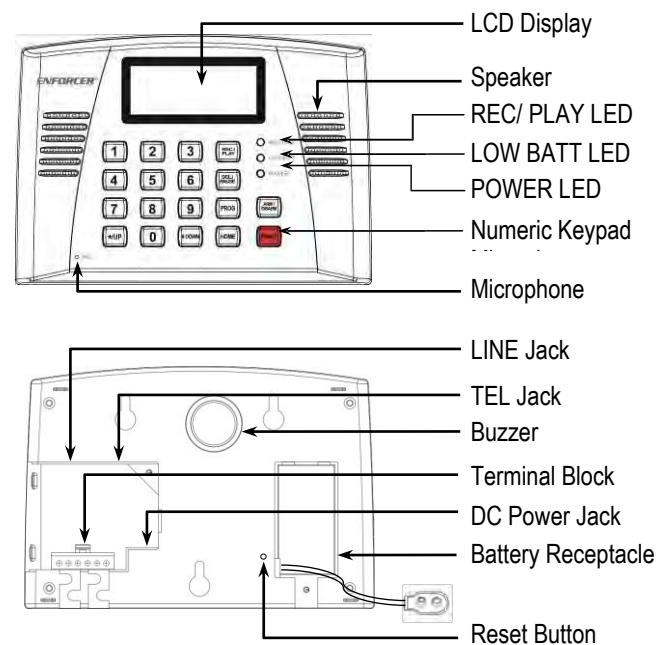
Voice Dialer

E-921CPQ

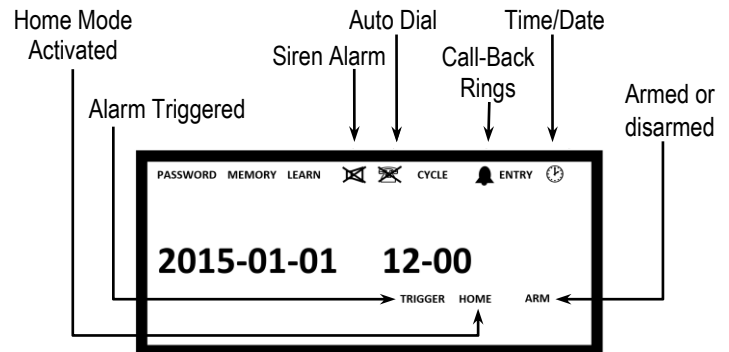
When triggered by an alarm system, the ENFORCER Voice Dialer can call up to 5 numbers and deliver a user-recorded 20-second voice message, playing repeatedly for one minute. The receiver can then listen in or broadcast a message to the room occupants or can disarm the system. The dialer includes a home mode (acting like a door chime when the owner is present) and a panic button. The 105dB built-in siren alarm can be programmed on or off.

Features:

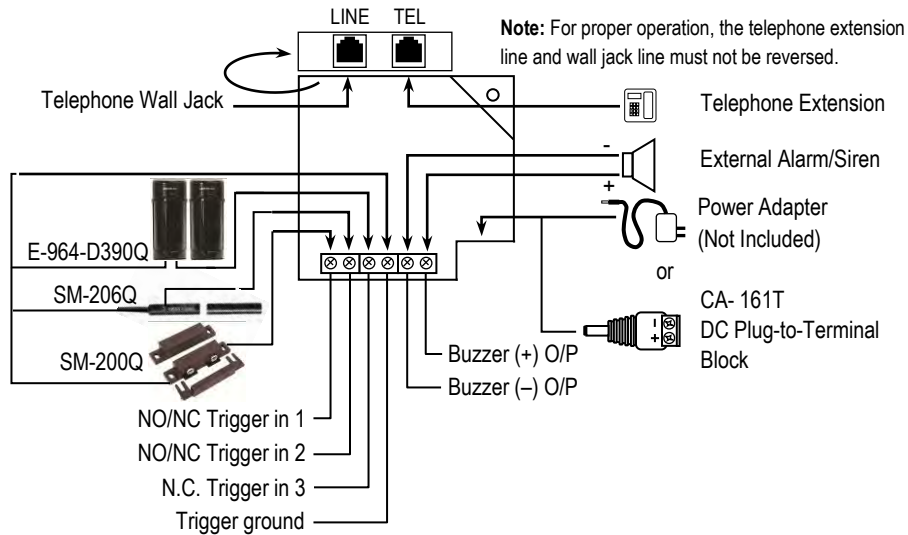
- Trigger-activated alarm and dialer with user-programmable 20-second alarm message.
- 16-Digit large display with date/time and function icons
- 3 Triggers (1 N.C., 2 NO/NC) for multiple zone security
- Call in at any time to listen in to room, broadcast to room, arm, and disarm dialer
- Listen in, broadcast messages to room, and/or disarm during dialer call out
- Programmable PIN number and entry delay timing
- 5 Programmable emergency telephone numbers (up to 32 digits each)
- Home mode function (acts as a door chime when user is home)
- Panic button
- Back-lit keypad
- Built-in flash memory to protect against system data loss in case of power failure
- 9V battery backup (battery not included)
- Low-battery indicator for back up battery
- DC power input jack (power adapter not included)
- Wall mountable
- Built-in 105dB alarm (with programmable alarm on/off)
- Built-in auxiliary output for external alarm or siren
- Built-in line seizure



LCD Screen Layout:



Wiring Diagram:



Specifications:

| | | |
|--|--|-------------------------------|
| Operating voltage | 9~12 VDC | |
| Current draw Max. (at 12VDC) | Standby | 5mA |
| | Dialing | 20mA |
| | Alarm On | 150mA |
| | Relay On | 50mA |
| | Speaker On | 250mA |
| | Total | 480mA |
| Emergency voice message length (user recorded) | Up to 20s | |
| Programmable emergency phone numbers | 5 | |
| Maximum digits per telephone number | 32 | |
| Backup battery type/life (not included) | 9VDC/≈20h | |
| Alarm sound level at 12" (30cm) | ≥105dB | |
| Trigger inputs | Triggers 1 and 2 | NO/NC Trigger (auto-detected) |
| | Trigger 3 | N.C. Trigger |
| Trigger input timer | ≥500ms | |
| Auxiliary output current (max) | 125mA | |
| Operating temperature | 32°~104°F (0°~40°C) | |
| Storage temperature | -4°~140°F (-20°~60°C) | |
| Weight | 11.15-oz (316g) | |
| Dimensions | 6 ¹ / ₁₆ "x4 ¹¹ / ₁₆ "x1 ¹ / ₂ " (170x119x38 mm) | |

Also available from SECO-LARM:



Door/Window Switches,
Magnetic Contacts, etc.



LED Strobe Light
SL-1301-BAQ



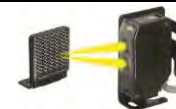
Auto Dialer
E-921APQ



Shock/Vibration Sensor
SS-040Q



Tamper Switch
SS-072Q



Photobeam Sensor
E-931-S35RRQ

SECO-LARM® U.S.A., Inc.

16842 Millikan Avenue, Irvine, CA 92606

Phone: (949) 261-2999 | (800) 662-0800 Fax: (949) 261-7326

Website: www.seco-larm.com Email: sales@seco-larm.com



Copyright 2015 © SECO-LARM U.S.A., Inc. All rights reserved.
All trademarks are the property of SECO-LARM U.S.A., Inc. or their respective owners.
The SECO-LARM policy is one of continual development. For that reason, SECO-LARM reserves the right to change prices and specifications without notice. SECO-LARM is not responsible for misprints.

SECO-LARM® ENFORCER® CRIMEBUSTER® CBA SLI®

PiE-921CPQ_141210.doc