
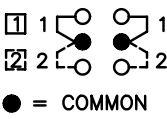
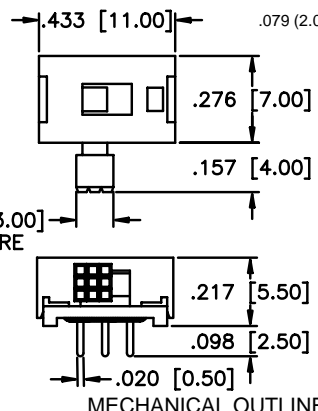
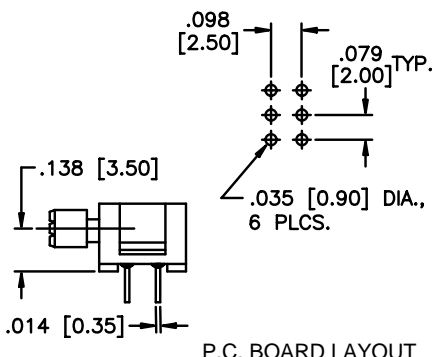

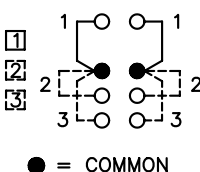
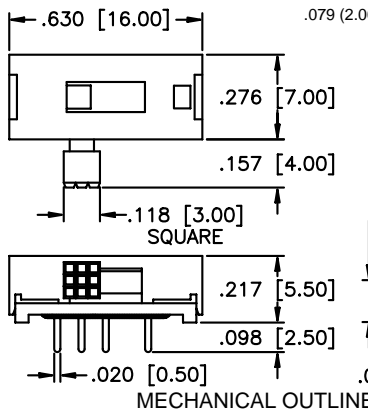
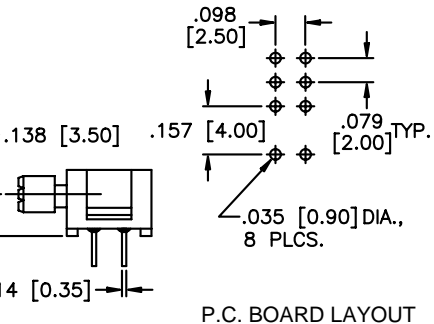

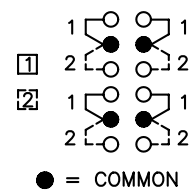
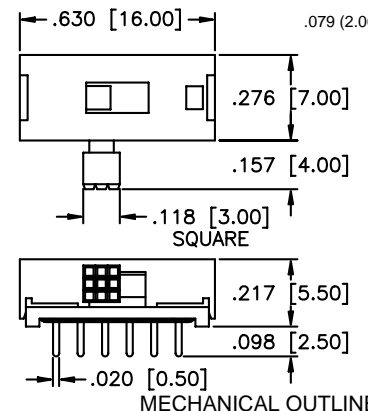
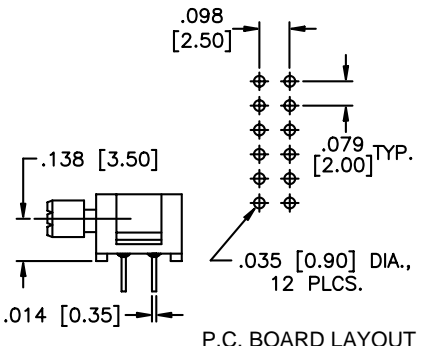


# MMS Series

## Microminiature Slide Switches

SPECIFICATIONS SUBJECT TO CHANGE WITHOUT NOTICE


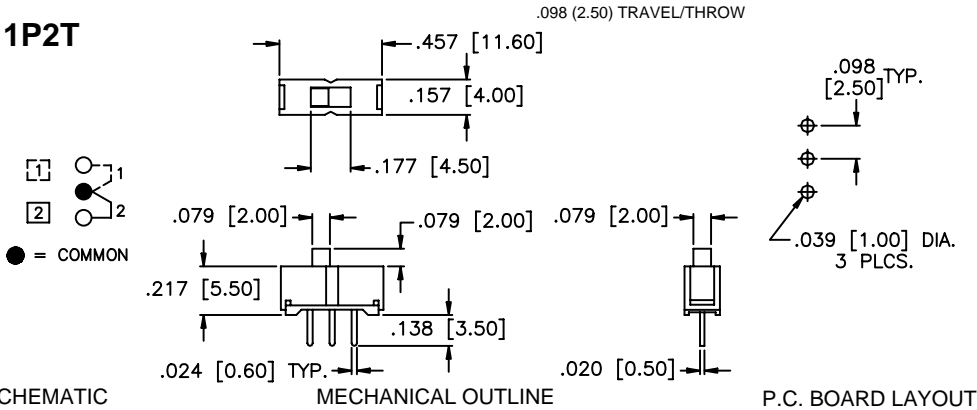

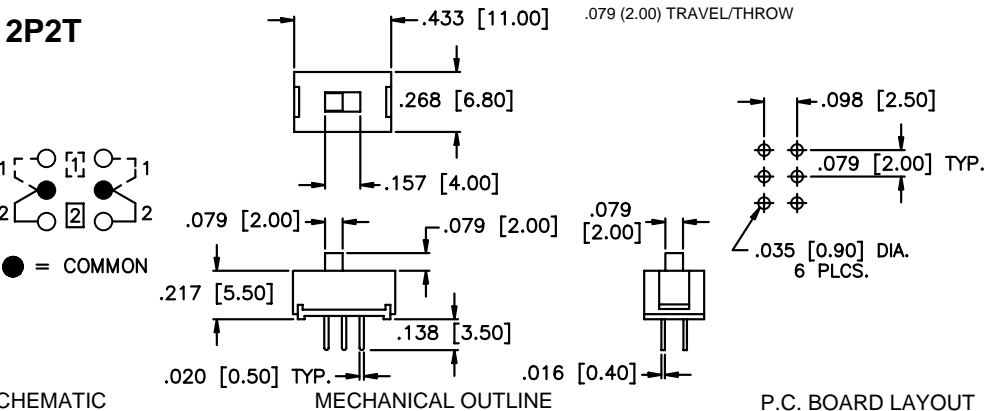

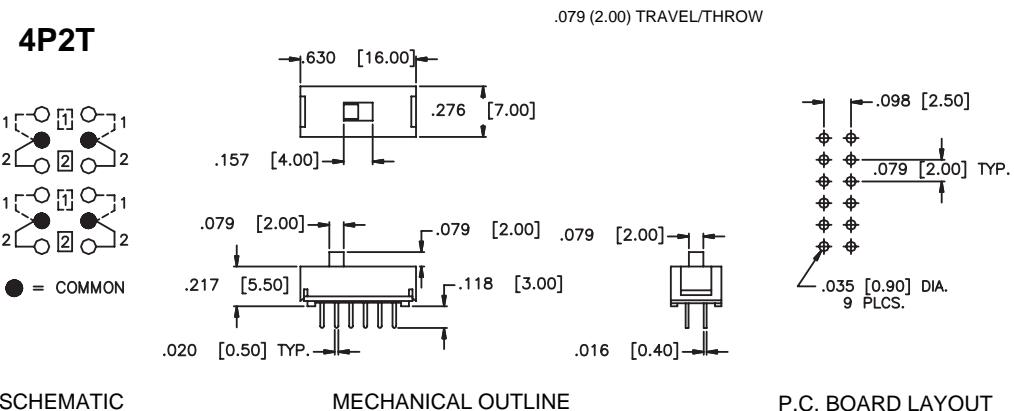

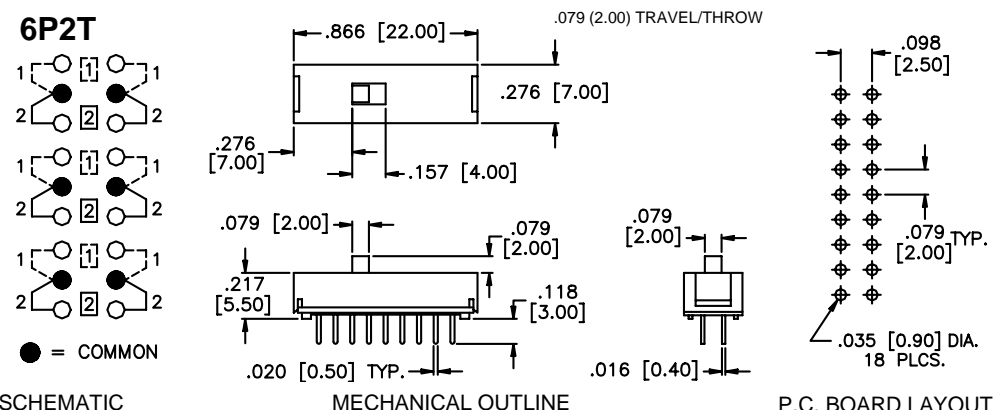
SPECIFICATIONS	FEATURES
<p><b>Contact ratings:</b> 300 mA at 30 VDC</p> <p><b>Initial contact resistance:</b> 25 milliohms max.</p> <p><b>Insulation resistance:</b> 100 megohms min. at 500 VDC</p> <p><b>Dielectric strength:</b> 500 volts RMS for 1 minute</p> <p><b>Electrical life:</b> 10,000 cycles min.</p> <p><b>Operating temperature range:</b> -20°C to +70°C</p> <p><b>Solder heat resistance:</b> 255°C max. for 5 seconds max.</p> <p><b>Washing not recommended</b></p>	<ul style="list-style-type: none"> <li>● <b>Bifurcated wiping contact design.</b></li> <li>● <b>Low Profile.</b></li> <li>● <b>Epoxy sealed terminals.</b></li> <li>● <b>Cosmetic molded case.</b></li> </ul>
MATERIALS	
<p><b>Contacts &amp; terminals:</b> Silver plated</p> <p><b>Case:</b> Polyacetal</p> <p><b>Actuator:</b> PBT                      <b>Base:</b> Glass filled PBT</p> <p><b>Terminal seal:</b> Epoxy or phenol resin</p>	

MODEL NO.			
<b>MMS22R</b>			
 <p>RIGHT ANGLE ACTUATOR</p>	<p><b>2P2T</b></p>  <p>● = COMMON</p>	 <p>MECHANICAL OUTLINE</p>	 <p>P.C. BOARD LAYOUT</p>
MODEL NO.			
<b>MMS23R</b>			
 <p>RIGHT ANGLE ACTUATOR</p>	<p><b>2P3T</b></p>  <p>● = COMMON</p>	 <p>MECHANICAL OUTLINE</p>	 <p>P.C. BOARD LAYOUT</p>
MODEL NO.			
<b>MMS42R</b>			
 <p>RIGHT ANGLE ACTUATOR</p>	<p><b>4P2T</b></p>  <p>● = COMMON</p>	 <p>MECHANICAL OUTLINE</p>	 <p>P.C. BOARD LAYOUT</p>

# MMS Series

## Microminiature Slide Switches

SPECIFICATIONS SUBJECT TO CHANGE WITHOUT NOTICE

<p><b>MODEL NO.</b></p> <p><b>MMS1208</b></p>  <p>VERTICAL ACTUATOR</p>	<p><b>1P2T</b> <span style="float: right;">.098 (2.50) TRAVEL/THROW</span></p>  <p>SCHEMATIC      MECHANICAL OUTLINE      P.C. BOARD LAYOUT</p>
<p><b>MODEL NO.</b></p> <p><b>MMS2214</b></p>  <p>VERTICAL ACTUATOR</p>	<p><b>2P2T</b> <span style="float: right;">.079 (2.00) TRAVEL/THROW</span></p>  <p>SCHEMATIC      MECHANICAL OUTLINE      P.C. BOARD LAYOUT</p>
<p><b>MODEL NO.</b></p> <p><b>MMS42</b></p>  <p>VERTICAL ACTUATOR</p>	<p><b>4P2T</b> <span style="float: right;">.079 (2.00) TRAVEL/THROW</span></p>  <p>SCHEMATIC      MECHANICAL OUTLINE      P.C. BOARD LAYOUT</p>
<p><b>MODEL NO.</b></p> <p><b>MMS6202</b></p>  <p>VERTICAL ACTUATOR</p>	<p><b>6P2T</b> <span style="float: right;">.079 (2.00) TRAVEL/THROW</span></p>  <p>SCHEMATIC      MECHANICAL OUTLINE      P.C. BOARD LAYOUT</p>