

ACCESSORIES

ACCESSORIES

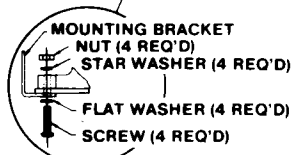
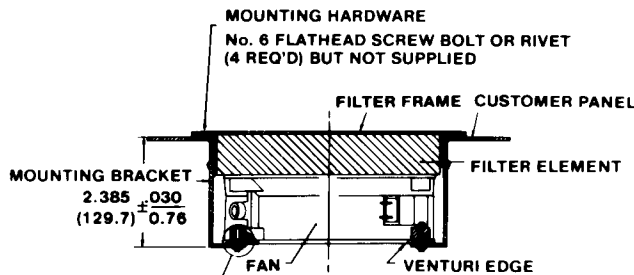
Filter Assembly (Whisper XL DC, Muffin XL DC, Whisper, Whisper XL, Muffin, Muffin XL)

Part No. 551590

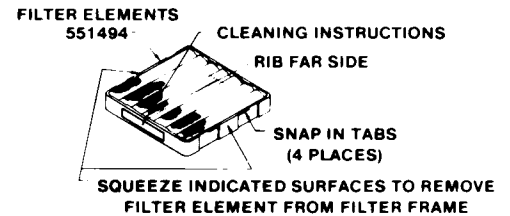
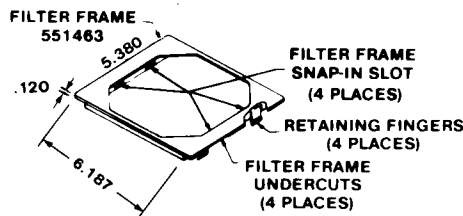
Consists of:

- 551463 Filter Frame
- 551494 Filter Element
- 551453 Mounting Brackets

Recommended cut-out 5.5" x 5.16"



ABOVE HARDWARE SUPPLIED

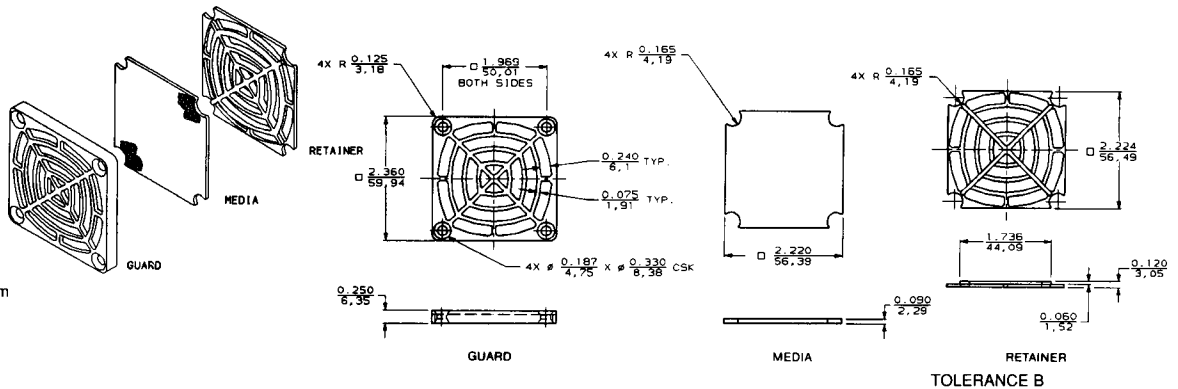


Note: Filters reduce airflow; i.e. a MX2A3's airflow would be reduced to about 87 CFM with P/N 551590 on fan's inlet at 115VAC, 60 Hz.

TOLERANCE: \pm .015 (0.38) ON ALL LINEAR DIMENSIONS

Filter Guard Assembly (Flight 60)

Part No. 557239

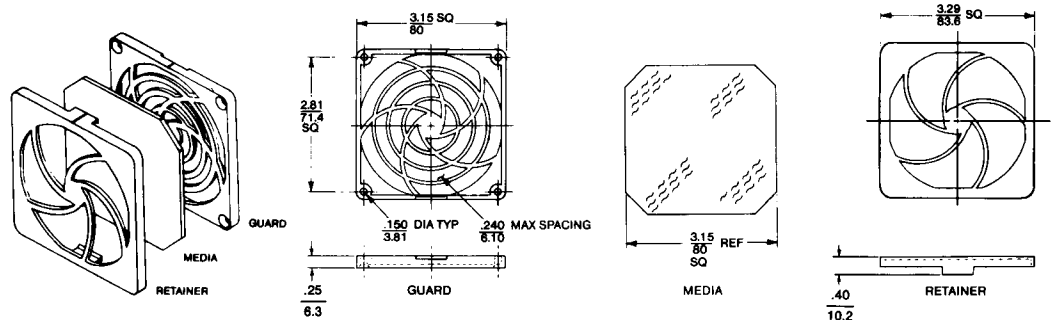


Note: Filters reduce airflow
* PPI denotes "pores per inch"

Filter Guard Assembly (Flight 80, Sprint DC, Sprite DC, Sprite)

Part No. 554141

- 30 PPI* Replacement Filter Element
Part No. 554139 (Pack of 5)
Also available with 45 PPI Filter
Part No. 554142
- 45 PPI Replacement Filter Element
Part No. 554140 (Pack of 5)
Retainer and guard UL94V-0 plastic
Replacement filter element (media)
polyurethane foam



Note: Filters reduce airflow; i.e. a ST12A3's airflow would be reduced to about 25 CFM with P/N 554141 on fan's inlet at 12VDC.

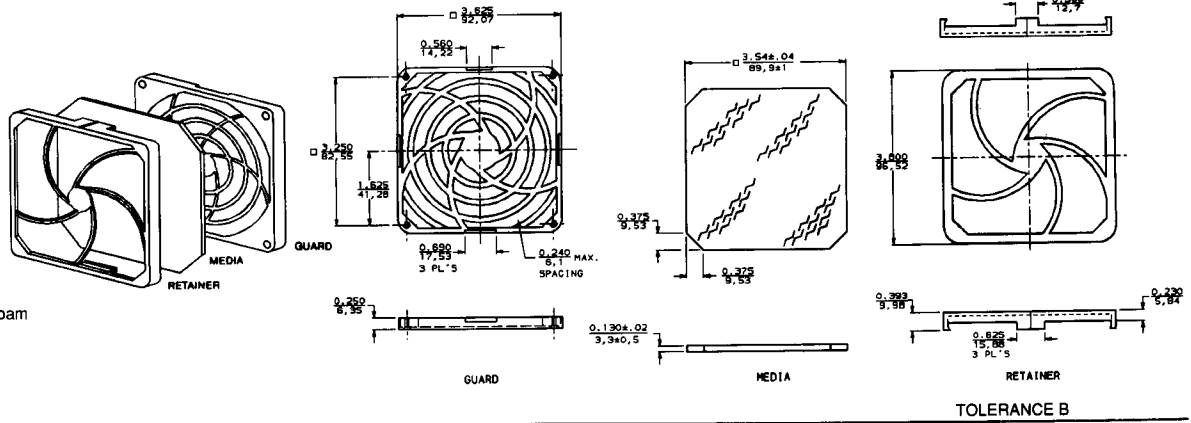
* PPI denotes "pores per inch"

TOLERANCE B

Filter Guard Assembly (Flight 90)

Part No. 557218

30 PPI* Replacement Filter Element
Part No. 557220 (pack of 5)
Also available with 45 PPI Filter
Part No. 557219
45 PPI Replacement Filter Element
Part No. 557221 (pack of 5)
Retainer and guard UL94V-0 plastic
Filter element (media) polyurethane foam

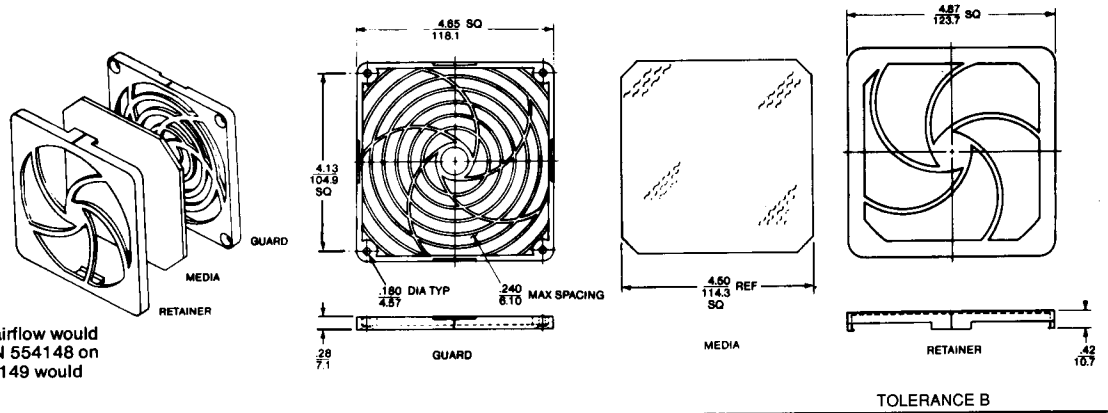


Note: Filters reduce airflow
* PPI denotes "pores per inch"

Filter Guard Assembly (Flight 120, Muffin DC, Whisper XL DC, Muffin XL DC, Whisper, Whisper XL, Muffin, Muffin XL)

Part No. 554148

30 PPI* Replacement Filter Element
Part No. 554146 (Pack of 5)
Also available with 45 PPI Filter
Part No. 554149
45 PPI Replacement Filter Element
Part No. 554147 (Pack of 5)
Retainer and guard UL94V-0 plastic
Replacement filter element (media)
polyurethane foam



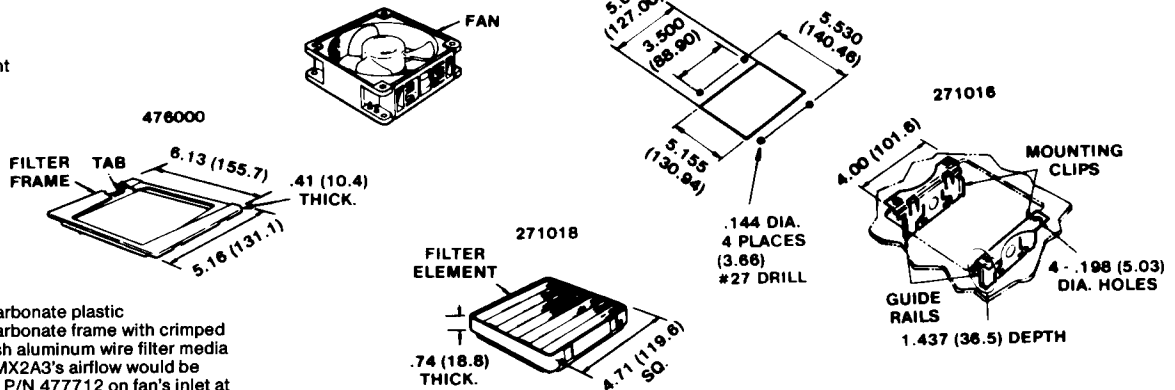
Note: Filters reduce airflow; i.e. a MX2A3's airflow would be reduced to about 75 CFM with P/N 554148 on fan's inlet at 115VAC, 60 Hz. P/N 554149 would reduce airflow to about 68 CFM.

*PPI denotes "pores per inch"

Filter Assembly (Whisper, Muffin)

Part No. 477712

Consists of:
476000 Filter Frame
271018 Washable Filter Element
271016 Mounting Clip (2)
Installation Instructions



Materials: 476000 Black polycarbonate plastic
271018 Black polycarbonate frame with crimped
18 x 14 mesh aluminum wire filter media

Note: Filters reduce airflow; i.e. MX2A3's airflow would be reduced into about 82 CFM with P/N 477712 on fan's inlet at 115VAC, 60 Hz (UP).

TOLERANCE A (see page 105)

Grille Kit (Whisper, Muffin)

Part No. 478031

Consists of:
476015 Grille (Spiral)
271016 Mounting Clip (2)



Metal Grille (Whisper, Muffin)

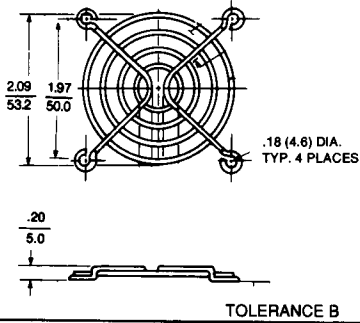
Part No. 477727

Expanded aluminum mesh - snaps onto fan venturi with use of Part No. 271016 mounting clips. (2 REQ'D)

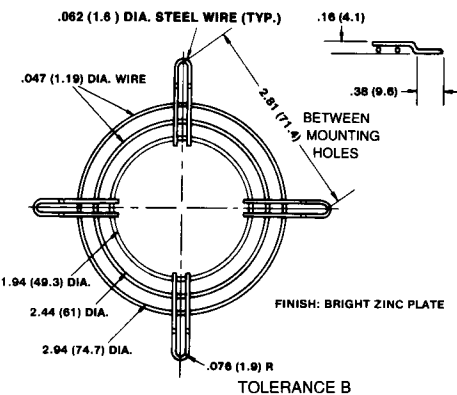
Screen Guard (Flight 120, Muffin DC, Whisper XL DC, Muffin XL DC, Whisper, Whisper XL, Muffin, Muffin XL)
Part No. 550214

Finger Guard (Flight 60)
Part No. 572621

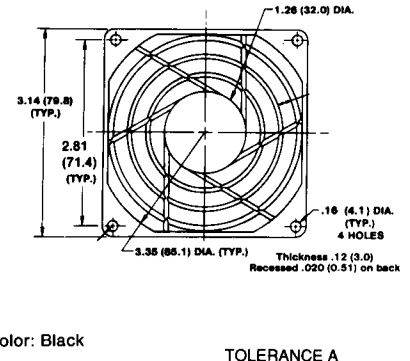
Steel wire, .062 dia., welded and nickel chrome finish meets UL, CSA .250/6.35 spacing



Finger Guard (Flight 80, Sprint DC, Sprite DC, Sprite)
Part No. 476143

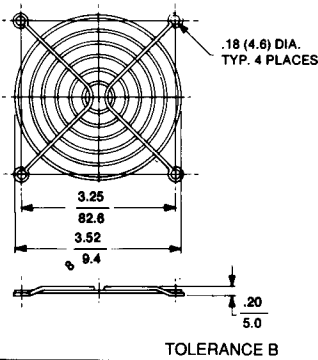


Finger Guard (Flight 80, Sprint DC, Sprite DC, Sprite)
Part No. 550648
Meets UL, CSA .250/6.35 spacing

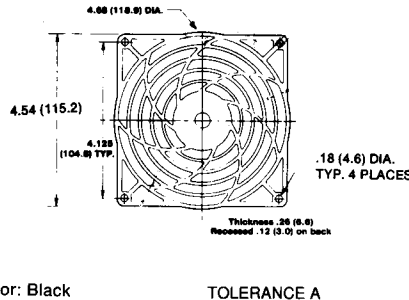


Finger Guard (Flight 90)
Part No. 554172

Steel wire, .062 dia., welded and nickel chrome finish Meets UL, CSA .250/6.35 spacing

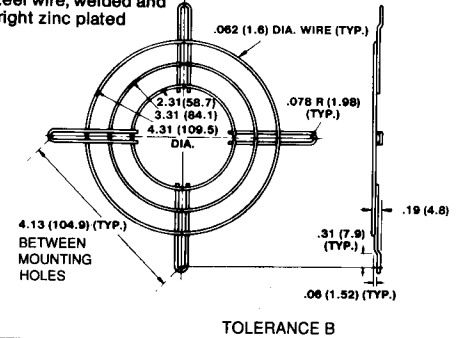


Finger Guard (Flight 120, Muffin DC, Whisper XL DC, Muffin XL DC, Muffin AC, Whisper, Whisper XL, Muffin, Muffin XL, Skeleton)
Part No. 551147
Meets UL, CSA .250/6.35 spacing



Finger Guard (Flight 120, Muffin DC, Whisper XL DC, Muffin XL DC, Muffin AC, Whisper, Whisper XL, Muffin, Muffin XL, Skeleton)
Part No. 476042

Steel wire, welded and bright zinc plated



Finger Guard (Flight 120, Muffin DC, Whisper XL DC, Muffin XL DC, Muffin AC, Whisper, Whisper XL, Muffin, Muffin XL, Skeleton)
Part No. 550481
Meets UL, CSA .250/6.35 spacing

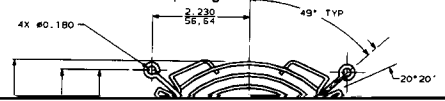


Finger Guard (Flight 120, Muffin DC, Whisper XL DC, Muffin XL DC, Muffin AC, Whisper, Whisper XL, Muffin, Muffin XL, Skeleton)
Part No. 552934 Meets UL, CSA .250/6.35 spacing



Finger Guard (Galaxy)
Part No. 557216

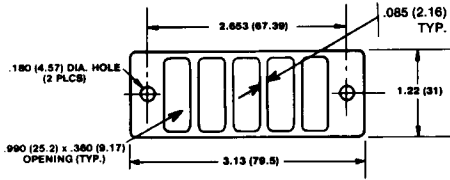
Made of steel wire finished in bright zinc Meets UL, CSA .25 dia. spacing



Finger Guard (Biscuit DC, Biscuit)

Part No. 477626

.030 (.76) thick type 302 stainless steel. Screws onto outlet of blower with (2) 8-32 machine screws (not supplied)

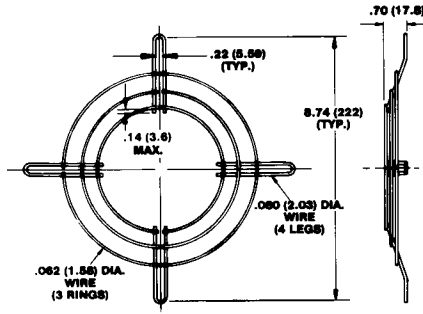


TOLERANCE A

Finger Guard (Tarzan)

Part No. 476136

Made of steel wire finished in nickel chrome

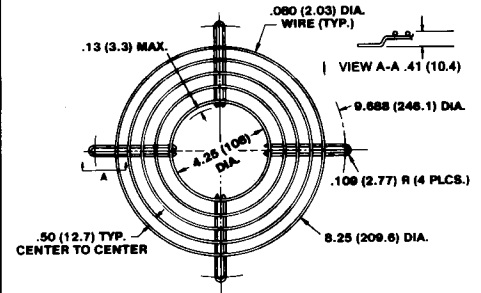


TOLERANCE B (see below)

Finger Guard (Caravel)

Part No. 476323

Made of steel wire finished in bright zinc. Mounts using #8 machine screws in the 4 legs equally spaced on 9.688 (246.1) dia.

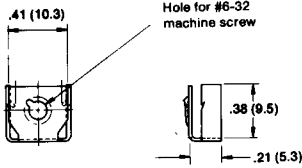


Note: Also available meeting UL .250 spacing. Call factory for specifications on P/N 557923

TOLERANCE B (see below)

Mounting Clips (Whisper XL DC, Muffin XL DC, Whisper XL, Muffin XL)
Part No. 550113 *Galaxy*

Fits over mounting boss of above fans

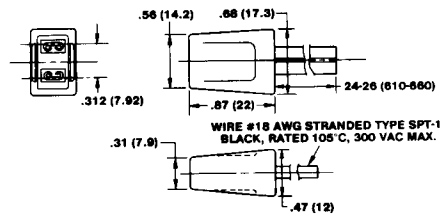


5 in./lb. max torque.

Material: .017 (.43) thick tempered spring steel
Finish: Black phosphate

TOLERANCE B (see below)

Plug & Cord
Part No. 550440

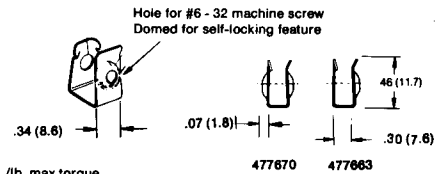


UL File No. E42397
GUIDE ZPPW2 Wiring Harness
CSA File No. LR45371

TOLERANCE A (see below)

Mounting Clips (Major DC, Patriot DC, Whisper, Muffin, Major, Patriot)
Part No. 477663 (Flush)
477670 (Standoff)

Fits over .25/6.35 mounting flanges of above fans

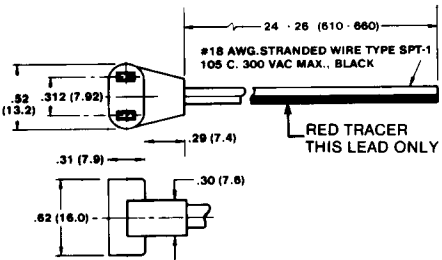


5 in./lb. max torque.

Material: .017 (.43) thick tempered spring steel
Finish: Black phosphate

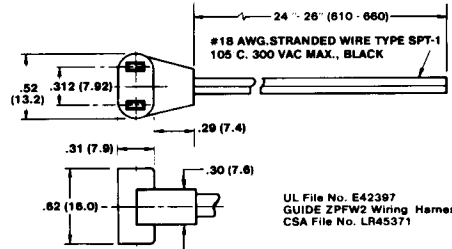
TOLERANCE B (see below)

Plug & Cord
Part No. 571064



TOLERANCE B

Plug & Cord
Part No. 428056



UL File No. E42397
GUIDE ZPPW2 Wiring Harness
CSA File No. LR45371

TOLERANCE B

TOLERANCE A: .XX = ± .03 (0.8)
.XXX = ± .010 (0.25)
TOLERANCE B: .XX = ± .05 (1.3)
.XXX = ± .015 (0.38)