



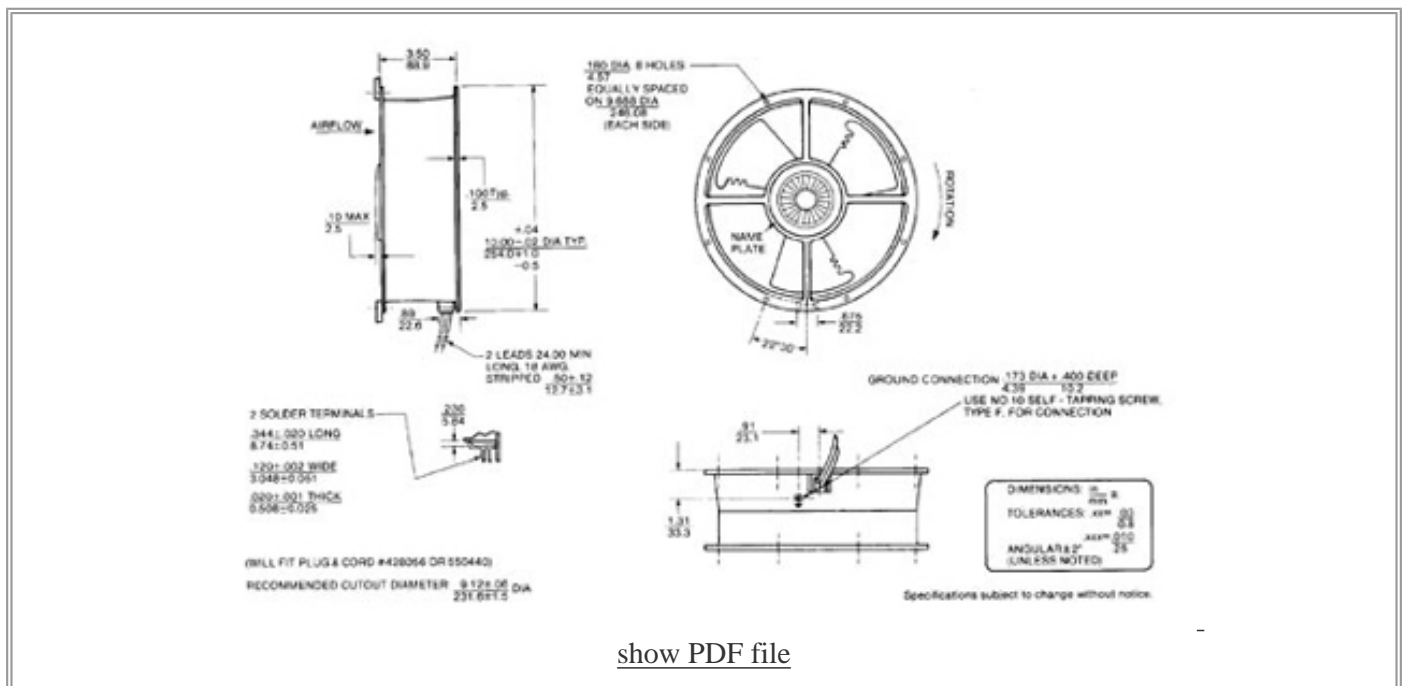
Caravel AC (AC Fan)



COMAIR ROTRON PART NUMBER: **020191**
 COMAIR ROTRON MODEL NUMBER: **CLE3T2**
RoHS Certificate of Compliant

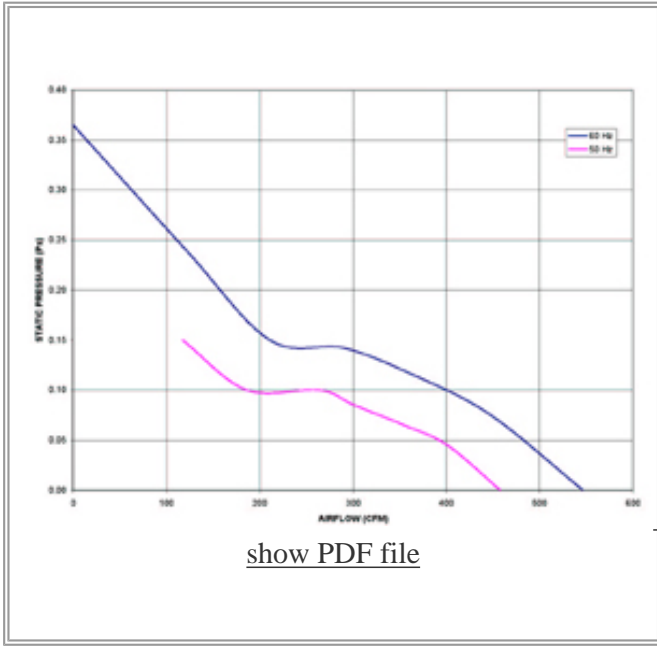
| MOTOR | |
|-------------------------------------|-------------|
| Rated Voltage: | 230 |
| Operating Voltage Range: | |
| Running Current: 50Hz 60Hz (amps) | 0.24 0.25 |
| Locked Rotor Current: (amps) | 0.33 |
| Rated Power: 50Hz 60Hz (watts) | 0 0 |
| Nominal Speed: 50Hz 60Hz (rpm) | 0 0 |

| MECHANICAL | |
|---------------|----------------------------------|
| Dimensions: | 254mm x 88.9mm (10.0in x 3.50in) |
| Bearing Type: | Ball |
| Motor Base: | Aluminum |
| Propeller: | Polycarbonate, UL94V-0, Black |



[show PDF file](#)

NOTES



| PERFORMANCE CHARACTERISTICS | |
|-----------------------------|-----------|
| Air Flow: (CFM) | 455/550 |
| Static Pressure: | .287/.365 |

| TERMINATION | |
|-------------|-----------|
| Leadwires: | Terminals |

| SAFETY | | | | |
|--|---|---|---|---|
|  |  |  |  |  |

All product names are used under license and are trademarks or registered trademarks of Comair Rotron, Inc.

[New Search](#)