



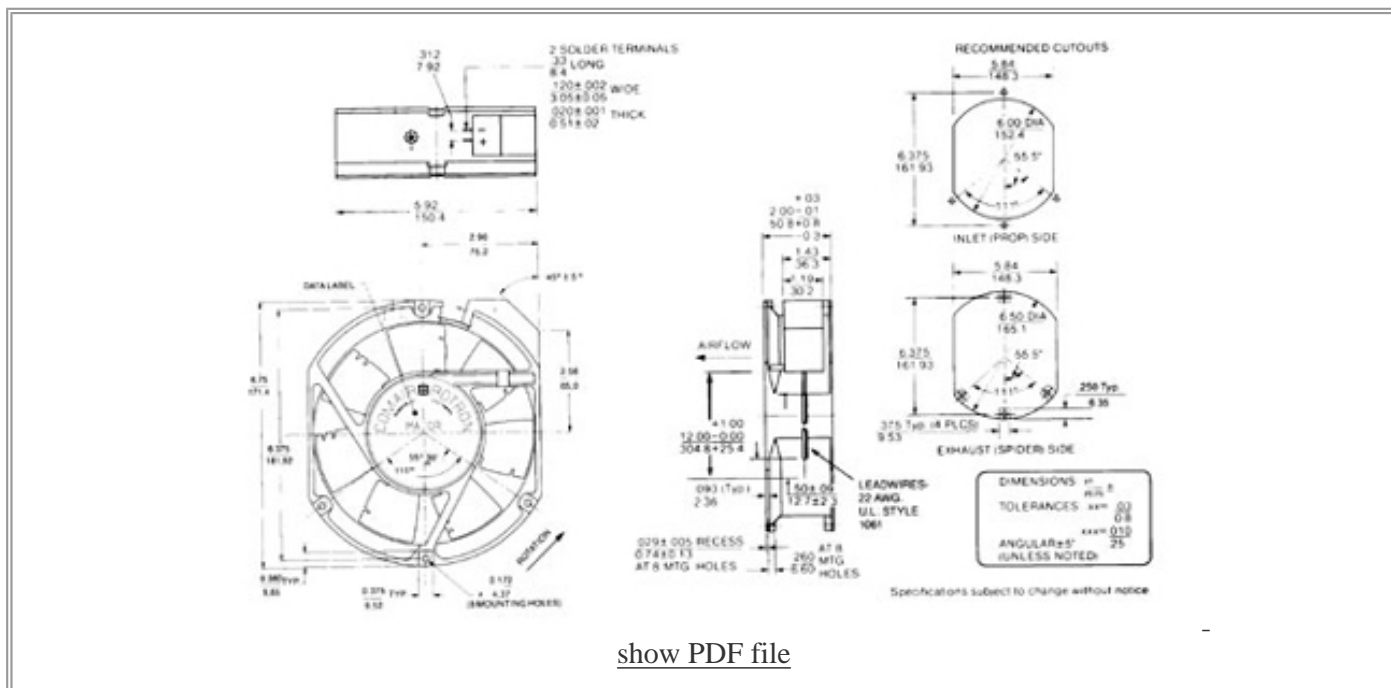
Major DC (DC Fan)

COMAIR ROTRON PART NUMBER: **031093**
 COMAIR ROTRON MODEL NUMBER: **JQ24C4**



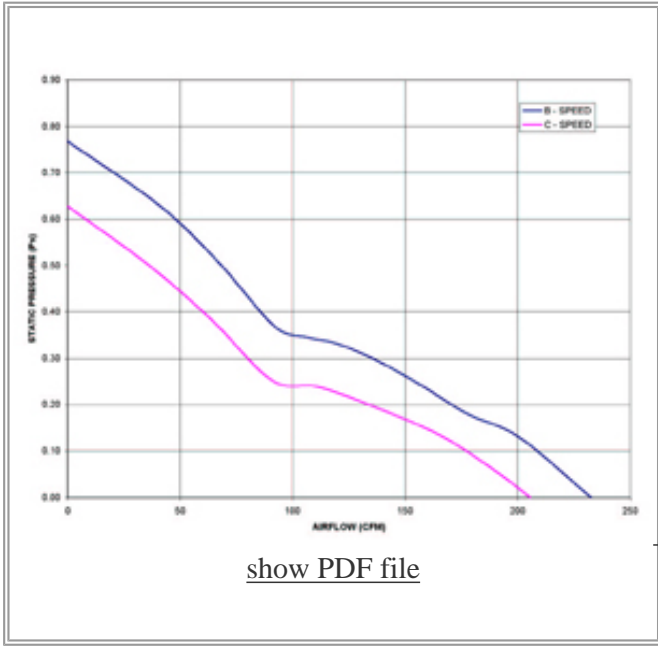
MOTOR	
Rated Voltage:	24
Operating Voltage Range:	12 - 28
Running Current: (amps)	0.75
Locked Rotor Current: (amps)	2
Rated Power: (watts)	18
Nominal Speed: (rpm)	3000

MECHANICAL	
Dimensions:	172mm x 150mm x 51mm (6.75in x 5.92in x 2.00in)
Bearing Type:	Ball
Motor Base:	Metal
Propeller:	Polycarbonate



[show PDF file](#)

NOTES



PERFORMANCE CHARACTERISTICS	
Air Flow: (CFM)	205
Static Pressure:	.628

TERMINATION	
Leadwires:	Terminals

SAFETY	
	

All product names are used under license and are trademarks or registered trademarks of Comair Rotron, Inc.

[New Search](#)