

MICRO SWITCH™ TS Series

Toggle Switch



DESCRIPTION

MICRO SWITCH™ TS Series toggles may be used anywhere manual operation is desired. They are an entry-level solution for applications that require an unsealed toggle switch. Special on-on-on circuitry can also be furnished. MICRO SWITCH™ TS

Series switches features broad circuitry and action availability considering 2- or 3-position options, momentary and maintained actions, and 1- and 2-pole circuitry. Switches available with solder, screw or quick-connect termination styles.

FEATURES

- 2- or 3- position, momentary and maintained action
- 1- and 2- pole circuitry
- Rated up to 10 A
- Lever-to-bushing seal
- Solder, screw, or quick-connect terminals
- UL, cURus approvals

POTENTIAL APPLICATIONS

- Industrial machinery and equipment
- Construction equipment
- Test instruments
- Agricultural machinery
- Process control
- Medical instrumentation

MICRO SWITCH™ TS Series

SPECIFICATIONS

Characteristic	Parameter
Operating temperature	-54 °C to 71 °C [-65 °F to 160 °F]
Actuators	Standard levers
Action	Momentary, maintained
Mounting	Bushing 15/32 in
Circuitry	SPDT, DPDT
Terminations	Solder, screw, quick-connect
Contacts	Silver tin oxide and indium oxide
Amp rating	10 A
Electrical rating (resistive load)	0.4 A to 10 A @ 126 Vac to 277 Vac 0.4 A to 20 A @ 0.5 Vac to 125 Vac
Approvals	UL, CSA
Measurement	55,83 mm H x 28,58 mm W x 16,51 mm D [2.198 in H x 1.125 in W x 0.65 in D]

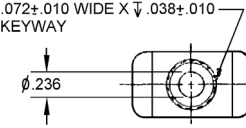
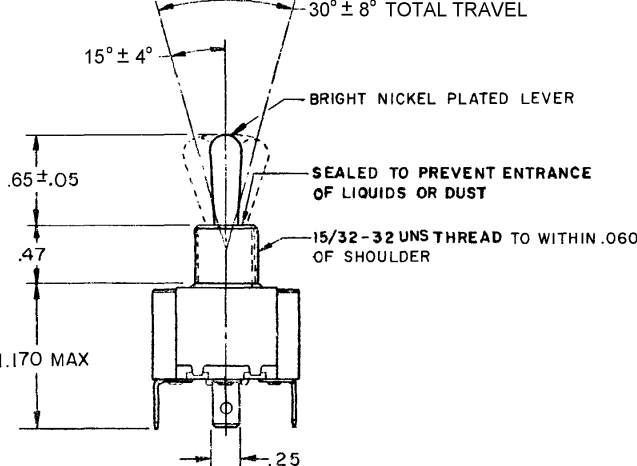
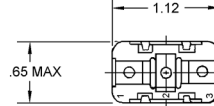
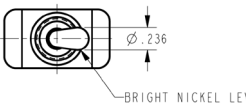
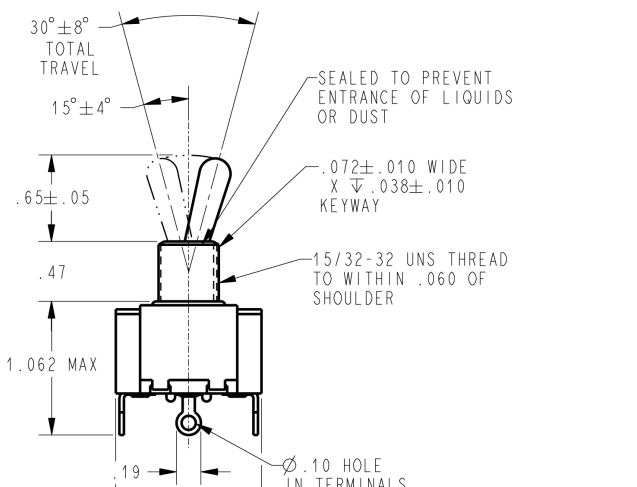
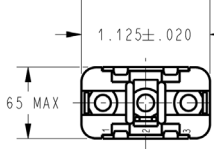
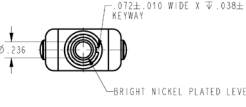
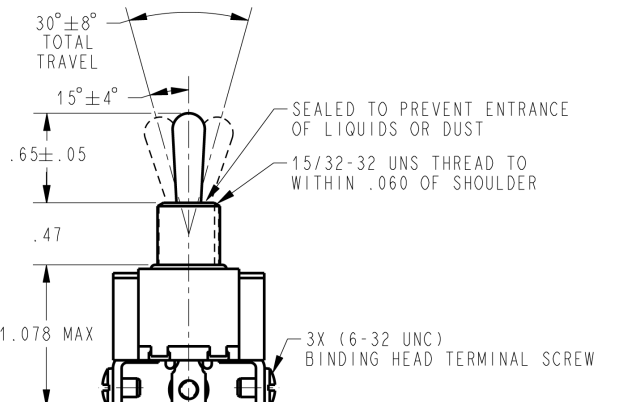
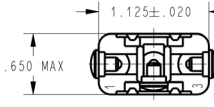
ELECTRICAL RATINGS

Product part number	Electrical rating
11TS	10 A, 277 Vac; 20 A, 125 Vac; 3/4 HP, 125 Vac / 250 Vac
12TS	10 A, 277 Vac; 20 A, 125 Vac; 1½ HP, 125 Vac / 250 Vac
13TS15-1, -2, -3	18 A, 125 Vac; 10 A, 250 Vac; 3/4 HP, 125 Vac / 250 Vac
13TS15-7	16 A, 125 Vac; 10 A, 250 Vac; 3/4 HP, 125 Vac / 250 Vac

Toggle Switch

STANDARD ACTUATOR OPTIONS, TERMINALS, & DIMENSIONS

Note: Single pole TS switches shown

Description	Top	Front	Bottom
Standard Lever, QC Terminals	 <p>.072±.010 WIDE X .038±.010 KEYWAY $\phi .236$</p>	 <p>30°±8° TOTAL TRAVEL 15°±4° BRIGHT NICKEL PLATED LEVER SEALED TO PREVENT ENTRANCE OF LIQUIDS OR DUST 15/32-32 UNS THREAD TO WITHIN .060 OF SHOULDER .65±.05 .47 1.170 MAX .25</p>	 <p>1.12 .65 MAX</p>
Standard Lever, Solder Terminals	 <p>BRIGHT NICKEL LEVER $\phi .236$</p>	 <p>30°±8° TOTAL TRAVEL 15°±4° SEALED TO PREVENT ENTRANCE OF LIQUIDS OR DUST .072±.010 WIDE X .038±.010 KEYWAY 15/32-32 UNS THREAD TO WITHIN .060 OF SHOULDER .65±.05 .47 1.062 MAX .19 $\phi .10$ HOLE IN TERMINALS</p>	 <p>1.125±.020 .65 MAX</p>
Standard Lever, Screw Terminals	 <p>.072±.010 WIDE X .038±.010 KEYWAY BRIGHT NICKEL PLATED LEVER $\phi .236$</p>	 <p>30°±8° TOTAL TRAVEL 15°±4° SEALED TO PREVENT ENTRANCE OF LIQUIDS OR DUST 15/32-32 UNS THREAD TO WITHIN .060 OF SHOULDER .65±.05 .47 1.078 MAX 3X (6-32 UNC) BINDING HEAD TERMINAL SCREW</p>	 <p>1.125±.020 .650 MAX</p>

MICRO SWITCH™ TS Series

TS 2-POSITION ORDER GUIDE

No. of poles	Circuits Made with Toggle At:			Catalog Listing		
	Keyway Position	Opposite Keyway	UL Rating Code	Screw Terminals	Solder Terminals	Quick-Connect Terminals
1	OFF	2-3 ON	L311	11TS15-2	11TS115-2	11TS95-2
	2-1 ON	2-3 ON	L311	11TS15-3	11TS115-3	11TS95-3
	OFF*	2-3 ON	L312	11TS15-4	11TS115-4	11TS95-4
	2-1 ON*	OFF	L312	11TS15-6	11TS115-6	11TS95-6
	2-1 ON*	2-3 ON	L312	11TS15-8	11TS115-8	–
2	OFF	2-3 & 5-6 ON	L311	12TS15-2	12TS115-2	12TS95-2
	2-1 ON & 5-4 ON	2-3 & 5-6 ON	L311	12TS15-3	12TS115-3	12TS95-3
	OFF*	2-3 & 5-6 ON	L312	12TS15-4	–	–
	2-1 ON & 5-4 ON*	OFF	L312	12TS15-6	–	–
	2-1 ON & 5-4 ON*	2-3 & 5-6 ON	L312	12TS15-8	12TS115-8	–

* Marked toggle positions are momentary. All others are maintained.

TS 3-POSITION ORDER GUIDE

No. of poles	Circuits Made with Toggle At:			Catalog Listing			
	Keyway Position	Center Position	Opposite Keyway	UL Rating Code	Screw Terminals	Solder Terminals	Quick-connect Terminals
1	2-1 ON	OFF	2-3 ON	L311	11TS15-1	11TS115-1	11TS95-1
	NONE	OFF	2-3 ON	L311	–	–	–
	2-1 ON*	OFF	2-3 ON*	L312	11TS15-5	11TS115-5	11TS95-5
	2-1 ON*	OFF	NONE	L312	–	–	–
	2-1 ON*	OFF	2-3 ON*	L312	11TS15-7	11TS115-7	11TS95-7
2	2-1 & 5-4 ON	OFF	2-3 & 5-6 ON	L311	12TS15-1	12TS115-1	12TS95-1
	NONE	OFF	2-3 & 5-6 ON	L311	–	–	–
	2-1 & 5-4 ON*	OFF	2-3 & 5-6 ON	L312	12TS15-5	12TS115-5	12TS95-5
	2-1 & 5-4 ON*	OFF	NONE	L312	–	–	–
	2-1 & 5-4 ON*	OFF	2-3 & 5-6 ON*	L312	12TS15-7	–	12TS95-7
	2-1 & 5-4 ON	2-1 & 5-6 ON	2-3 & 5-6 ON	L312	–	–	12TS95-10

* Marked toggle positions are momentary. All others are maintained.

This Honeywell datasheet supports the following MICRO SWITCH™ TS Series Toggle Switch Listings

11TS115-1	12TS115-5
11TS115-2	12TS115-7
11TS115-3	12TS115-8
11TS115-5	12TS130-77
11TS115-6	12TS15-1
11TS115-7	12TS15-2
11TS115-8	12TS15-3
11TS15-1	12TS15-4
11TS15-2	12TS15-5
11TS15-3	12TS15-6
11TS15-4	12TS15-7
11TS15-5	12TS15-8
11TS15-6	12TS95-1
11TS15-7	12TS95-10
11TS15-8	12TS95127-3
11TS315-131	12TS95127-7
11TS95-1	12TS95-2
11TS95-2	12TS95-3
11TS95-2-HY	12TS95-5
11TS95-3	12TS95-7
11TS95-4	12TS95-70
11TS95-5	12TS95-77
11TS95-6	12TS95-8
11TS95-7	13TS15-1
11TS95-7-BP	13TS15-2
11TS95-7-NH	13TS15-3
11TS95801-2-TN	13TS15-7
12TS115-1	
12TS115-2	
12TS115-3	

Warranty. Honeywell warrants goods of its manufacture as being free of defective materials and faulty workmanship. Honeywell's standard product warranty applies unless agreed to otherwise by Honeywell in writing; please refer to your order acknowledgement or consult your local sales office for specific warranty details. If warranted goods are returned to Honeywell during the period of coverage, Honeywell will repair or replace, at its option, without charge those items it finds defective. **The foregoing is buyer's sole remedy and is in lieu of all warranties, expressed or implied, including those of merchantability and fitness for a particular purpose. In no event shall Honeywell be liable for consequential, special, or indirect damages.**

While we provide application assistance personally, through our literature and the Honeywell web site, it is up to the customer to determine the suitability of the product in the application.

Specifications may change without notice. The information we supply is believed to be accurate and reliable as of this printing. However, we assume no responsibility for its use.

Find out more

Honeywell serves its customers through a worldwide network of sales offices, representatives and distributors. For application assistance, current specifications, pricing or name of the nearest Authorized Distributor, contact your local sales office. To learn more about Honeywell's sensing and control products, call **+1-815-235-6847/1-800-537-6945**, visit **sensing.honeywell.com**, or e-mail inquiries to **info.sc@honeywell.com**

Sensing and Control

Honeywell

1985 Douglas Drive North
Golden Valley, MN 55422 USA
honeywell.com

WARNING

MISUSE OF DOCUMENTATION

- The information presented in this datasheet is for reference only. DO NOT USE this document as product installation information.
- Complete installation, operation and maintenance information is provided in the instructions supplied with each product.

Failure to comply with these instructions could result in death or serious injury.

WARNING

PERSONAL INJURY

DO NOT USE these products as safety or emergency stop devices or in any other application where failure of the product could result in personal injury.

Failure to comply with these instructions could result in death or serious injury.

Honeywell