



IP 67 plastic hoods

IP 67 metallized plastic hoods

Identification No. of contacts Part No. Drawing Dimensions in mm

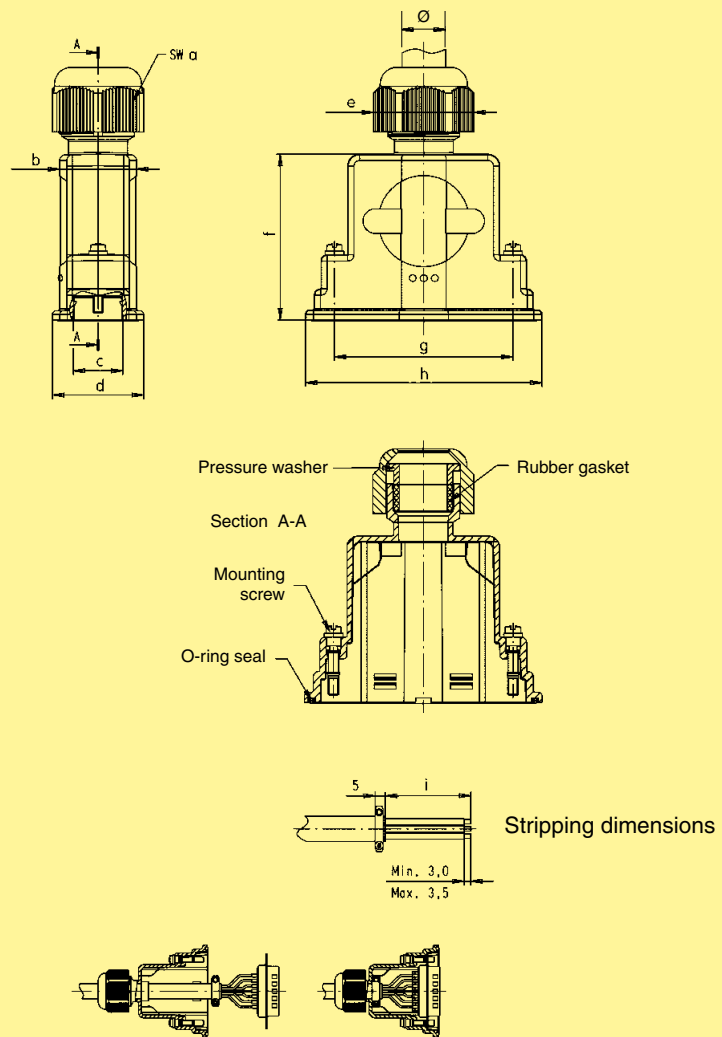
Identification	No. of contacts	Part No.
Hood ¹⁾ Black thermoplastic	9	09 67 009 043
	15	09 67 015 043
	25	09 67 025 043
	37	09 67 037 043
	50	09 67 050 043

Metallized thermo- plastic	9	09 67 009 053
	15	09 67 015 053
	25	09 67 025 053
	37	09 67 037 053
	50	09 67 050 053

Please insert digit
for screw option

Locking screw,
thread 4-40 UNC ▶ 8

Locking screw, ▶ 9
thread M3



Mounting instructions:

- The peeled back cable braiding must not extend over the cable clamp, in order not to damage the gasket or to impair its performance.
- Pull back cable until cable clamp snaps into shielding plate.
- Snap connector into hood.

	a	b	c	d	e	f	g	h	i	Ø	
										min.	max.
9	20	16.5	13.0	20.2	22.1	36.4	25.0	39.8	18.0	6.0	8.0
15	24	16.5	13.0	20.2	26.6	36.4	33.3	48.5	18.0	6.0	10.5
25	24	20.3	13.0	24.0	26.6	43.6	47.0	62.3	45.0	8.0	12.0
37	24	20.3	13.0	24.0	26.6	52.1	63.5	78.6	60.0	8.0	12.0
50	29	22.0	16.0	27.6	32.1	52.1	61.1	75.7	60.0	9.0	14.0

¹⁾ Not to be used with 9 to 50-pole crimp connectors