

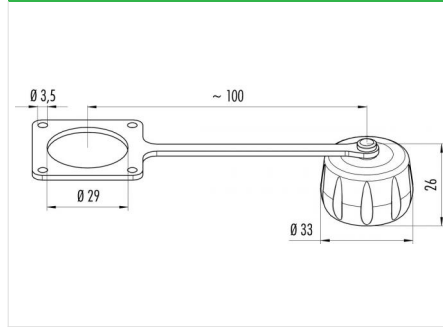
Product **696: Schutzkappe für Flanschstecker**

Area **male panel mount connector Series**
Article number **08 3109 000 000**

Illustration



Scale drawing



Matching products

male panel mount connector