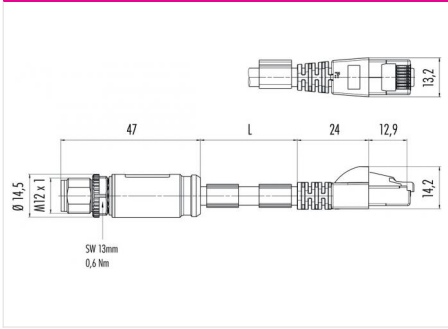


Product	Cable sheath PUR, cable length 2 m, Contacts: 8, Connecting cord, cable plug connector M12x1 - RJ45 male connector, PUR cable, shielded
Area	M12-D, M12-X Series 876 X-coding
Article number	79 9723 020 08

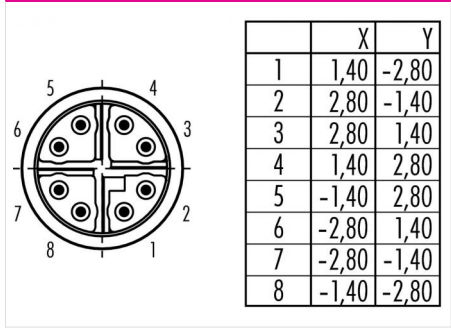
Illustration



Scale drawing



Contact Arrangement



Technical data

Common values

Connector Design	Connecting cord
Connector locking system	screw
Termination	crimp, injection-moulded cable
Wire gauge (AWG)	26/7
Upper temperature	85 °C
Lower temperature	-40 °C

Electrical values

Rated voltage	50 V AC / 60 V DC
Pollution degree	3
Overvoltage category	II
Material group	II
Rated current (40°C)	0.5 A
Volume resistivity	≤ 10 mΩ
EMV compliance	geschirmt
Degree of protection	IP67
Mechanical operation	> 100 mating cycles

Cable data

material housing	PUR green
Insulation single lead	PE
Single lead structure	7 x 0.16
Cable sheath Ø	6.2
Conductor resistance	14.5Ω/100 m
Temperature range cable movable c from	-10
Temperature range cable movable c to	60
Temperature range cable fixed c from	-40
Temperature range cable fixed c to	85
Bending radius cable fixed	≥ 25 mm
Bending radius cable movable	≥ 50 mm
Approval	E 344985

Material

Material of contact	CuZn (Brass)
Contact plating	Au (Gold)
Material of contact body	PA
Material of housing	PUR