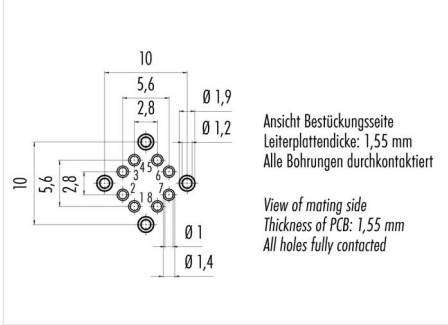


| | |
|----------------|---|
| Product | Contacts 8: Female panel mount connector with X-coding, dip-solder, fixed housing contacts |
| Area | M12-D, M12-X Series 825/876 X-coding |
| Article number | 99 3782 210 08 |

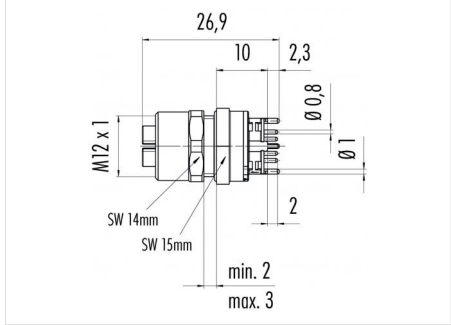
Illustration



Conductor layout



Scale drawing



Contact Arrangement

| | X | Y |
|---|-------|-------|
| 1 | -1,40 | -2,80 |
| 2 | -2,80 | -1,40 |
| 3 | -2,80 | 1,40 |
| 4 | -1,40 | 2,80 |
| 5 | 1,40 | 2,80 |
| 6 | 2,80 | 1,40 |
| 7 | 2,80 | -1,40 |
| 8 | 1,40 | -2,80 |

Technical data

Common values

| | |
|--------------------------|----------------------|
| Connector Design | Cable plug connector |
| Connector locking system | screw |
| Termination | dip-solder |
| Upper temperature | 85 °C |
| Lower temperature | -40 °C |

Cable data

| | |
|------------------------------|---|
| material housing | - |
| Insulation single lead | - |
| Single lead structure | - |
| Conductor resistance | - |
| Bending radius cable fixed | - |
| Bending radius cable movable | - |

Electrical values

| | |
|----------------------|---------------------|
| Rated voltage | 50 V AC / 60 V DC |
| Pollution degree | 3 |
| Overvoltage category | II |
| Material group | III |
| Rated current (40°C) | 0.5 A |
| Volume resistivity | ≤ 10 mΩ |
| Degree of protection | IP67 |
| Mechanical operation | > 100 mating cycles |

Material

| | |
|--------------------------|--------------------------------|
| Material of contact | CuSn (Bronze) |
| Contact plating | Au (Gold) |
| Material of contact body | PA |
| Material of housing | Nickel-plated zinc die casting |