

**DESCRIPTION: M5 MALE - CABLE MOUNT - SOLDER CUP - 2 POSITION**

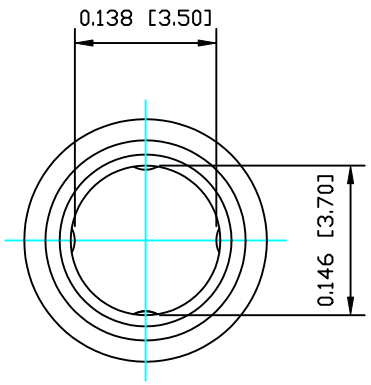
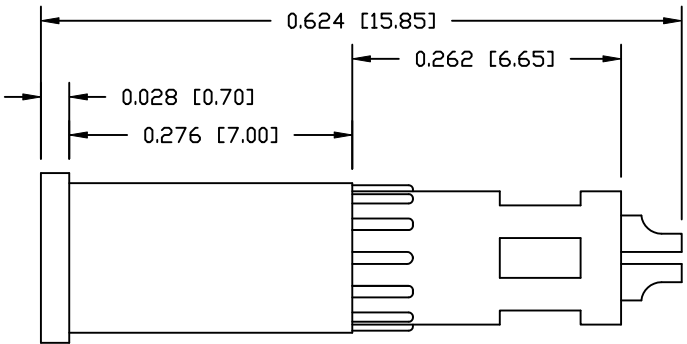
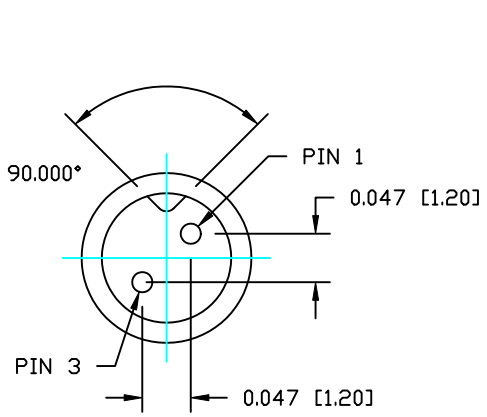
**NOTE:**

**MATERIAL**  
 HOUSING: TPU, BLACK  
 CONTACT: BRASS  
 NUT: BRASS

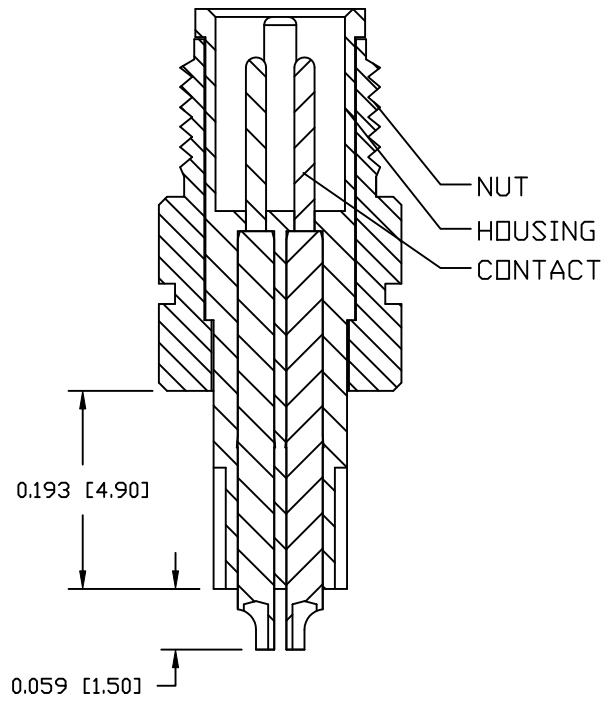
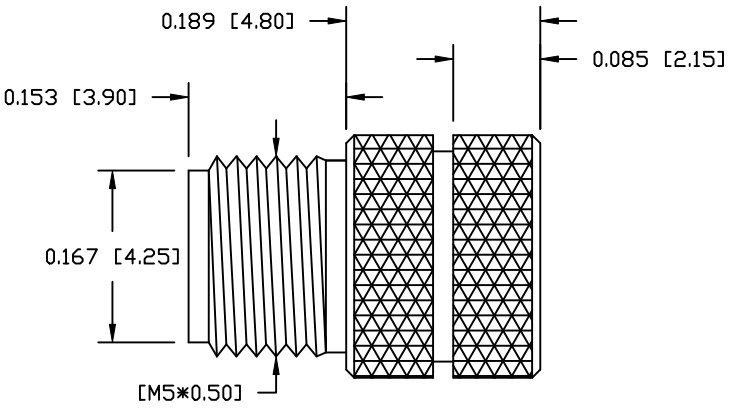
**FINISH**  
 CONTACT: GOLD FLASH (0.8-1.0) $\mu$ m  
 OVER 50 $\mu$ m NICKEL  
 NUT: SATIN NICKEL

**ELECTRICAL**  
 RATED CURRENT: 1A  
 RATED VOLTAGE: 60V  
 WATER PROOF: IP67

**ENVIRONMENT**  
 OPERATION TEMPERATURE: -40°C TO +85°C  
 WIRE GAUGE: 26 - 28 AWG



NUT



**RoHS COMPLIANT**

**DO NOT SCALE FROM DRAWING**



THESE DRAWINGS AND SPECIFICATIONS ARE THE PROPERTY OF NorComp AND SHALL NOT BE REPRODUCED, COPIED OR USED AS THE BASIS FOR THE MANUFACTURE OR SALE OF APPARATUS WITHOUT WRITTEN PERMISSION.

**DRAWN:** C. SMITH  
**DATE:** 08/08/14  
**CHECKED:**  
**DATE:**

**NorComp**

**SCALE:** NTS  
**SHEET** 1 **OF** 1  
**REV** 0  
**DWG NO.** 850-002-103RLU1