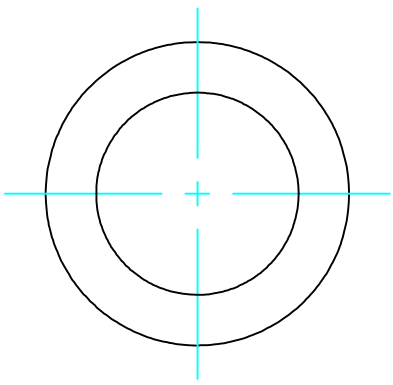


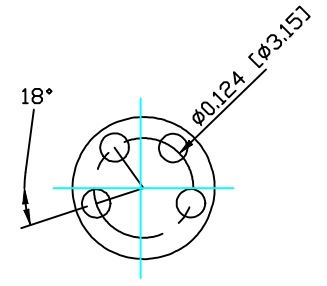
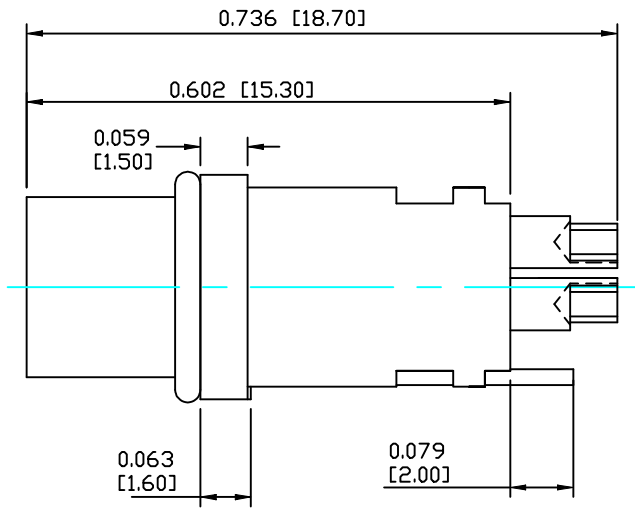
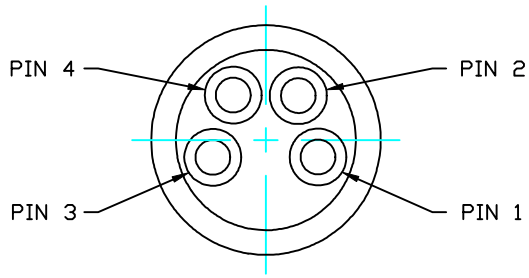
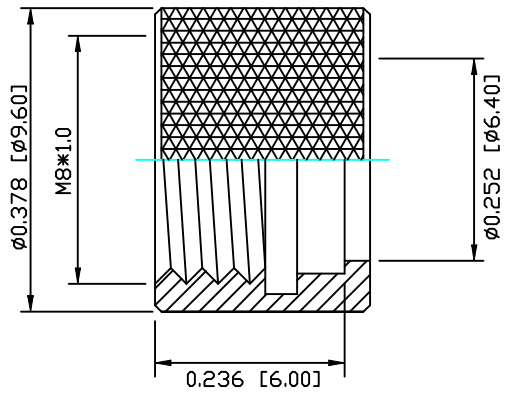
DESCRIPTION: M8 FEMALE - CABLE MOUNT - SOLDER CUP - 4 POS.

NOTE:

MATERIAL	
HOUSING:	PBT UL94V-0, BLACK
CONTACT:	PHOSPHOR BRONZE
SHELL:	BRASS
NUT:	BRASS
O-RING:	NBR, BLACK
FINISH:	
CONTACT:	GOLD FLASH 10µ" MIN. OVER 50µ" NICKEL BRIGHT TIN 60µ" NICKEL PLATED
GROUND:	
SHELL:	
ELECTRICAL	
RATED CURRENT:	5A
RATED VOLTAGE:	125V
WATER PROOF:	IP67
ENVIRONMENT	
OPERATION TEMPERATURE:	-40°C TO +85°C
WIRE GAUGE:	24-28 AWG



NUT



RoHS COMPLIANT

DO NOT SCALE FROM DRAWING



THESE DRAWINGS AND SPECIFICATIONS ARE THE PROPERTY OF NorComp AND SHALL NOT BE REPRODUCED, COPIED OR USED AS THE BASIS FOR THE MANUFACTURE OR SALE OF APPARATUS WITHOUT WRITTEN PERMISSION.

DRAWN:	M. SIGMON	DATE:	05-27-14
CHECKED:		DATE:	

NorComp

SCALE:	N.T.S.	SHEET	1	OF	1	REV	0
DWG NO.	854-004-203RLS4						