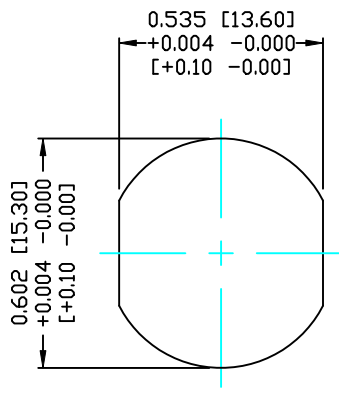
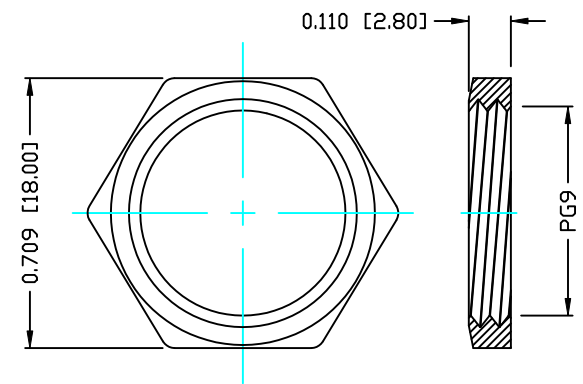


**DESCRIPTION: M12 FEMALE - PANEL MOUNT (REAR) - SOLDER CUP - 12 POS.**



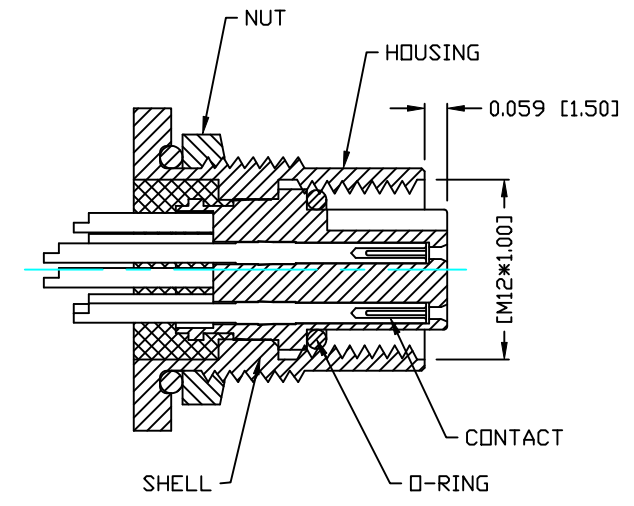
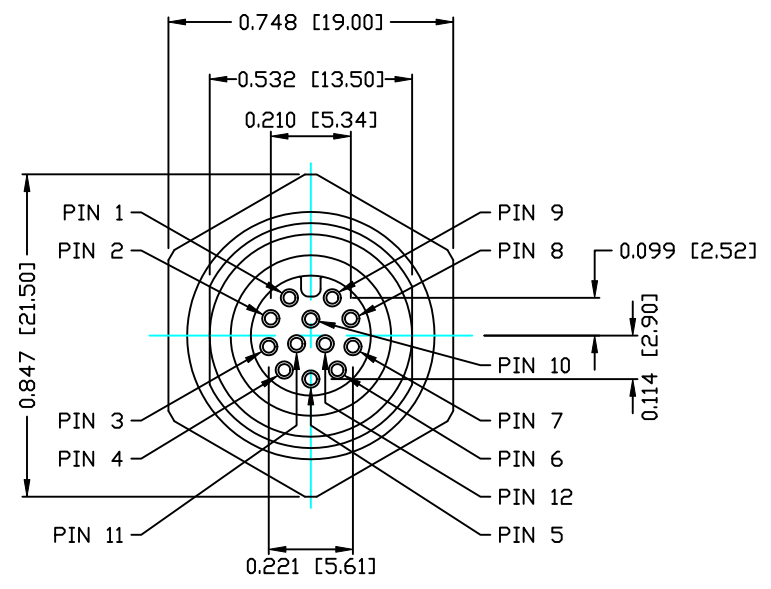
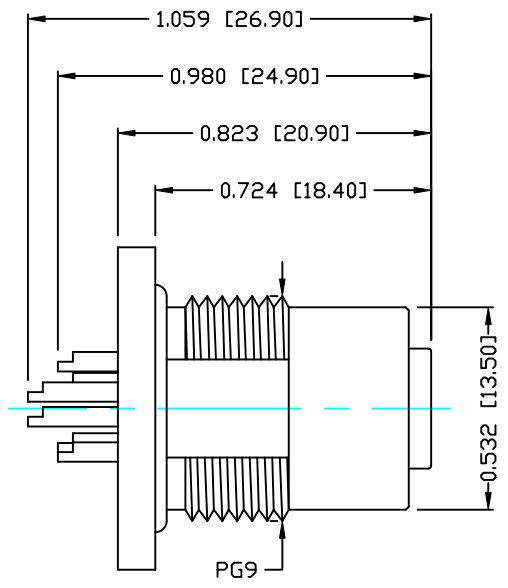
PANEL CUTOUT



NUT

**NOTE:**

<b>MATERIAL</b>	
HOUSING:	PBT UL94V-0, BLACK
CONTACT:	BRASS
NUT:	BRASS
SHELL:	BRASS
O-RING:	EPDM, BLACK
<b>FINISH</b>	
CONTACT:	GOLD 10 $\mu$ r MIN. OVER 50 $\mu$ r NICKEL
NUT:	NICKEL PLATED
SHELL:	NICKEL PLATED
<b>ELECTRICAL</b>	
RATED CURRENT:	1A
RATED VOLTAGE:	30V
WATER PROOF:	IP67
<b>ENVIRONMENT</b>	
OPERATION TEMPERATURE:	-40°C TO +85°C
WIRE GAUGE:	24-28 AWG



**RoHS COMPLIANT**

**DO NOT SCALE FROM DRAWING**



THESE DRAWINGS AND SPECIFICATIONS ARE THE PROPERTY OF NorComp AND SHALL NOT BE REPRODUCED, COPIED OR USED AS THE BASIS FOR THE MANUFACTURE OR SALE OF APPARATUS WITHOUT WRITTEN PERMISSION.

DRAWN:	C. SMITH	DATE:	08-29-14
CHECKED:		DATE:	

**NorComp**

SCALE:	N.T.S.	SHEET	1	OF	1	REV	0
DWG NO.	859-012-203R004						