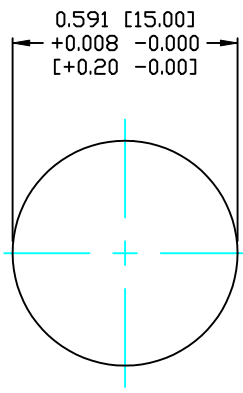
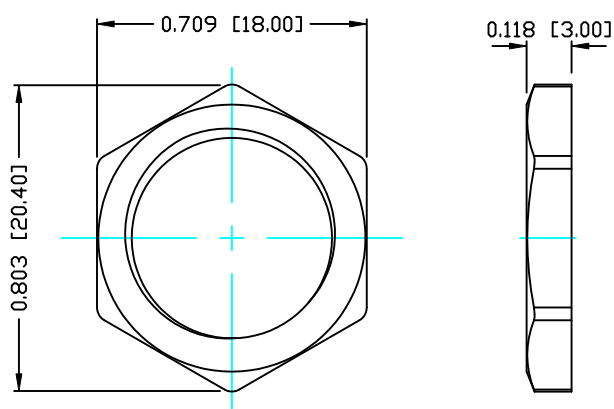


DESCRIPTION: M12 FEMALE - RIGHT ANGLE - 3 POS.



PANEL CUTOUT



NUT

NOTE:

MATERIAL

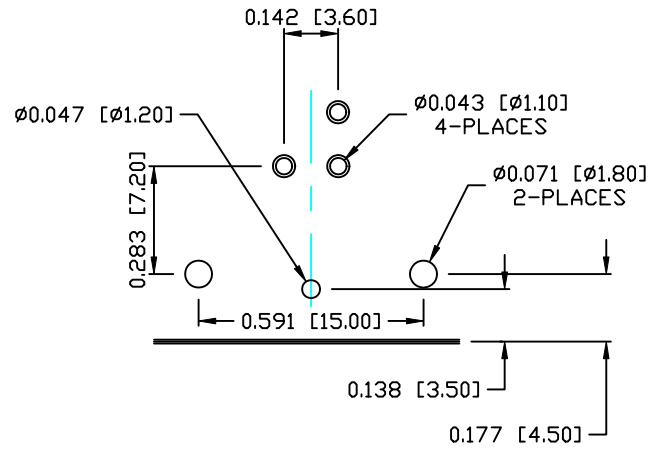
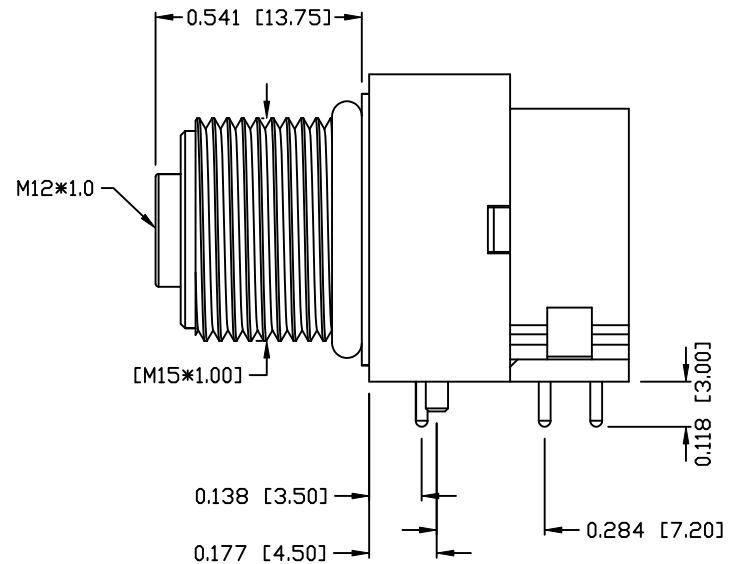
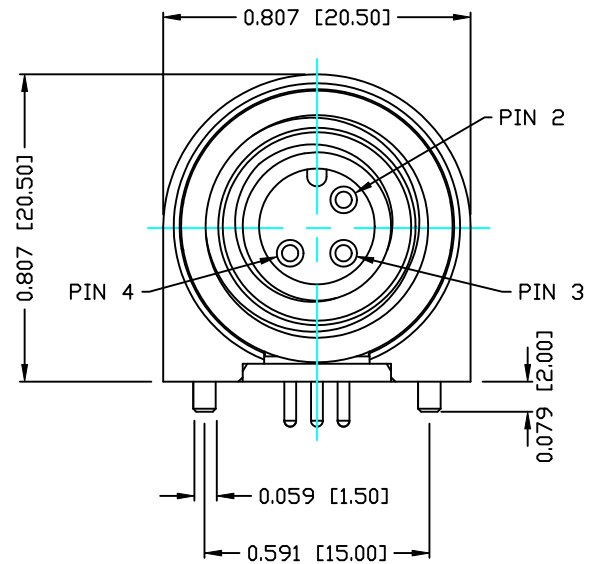
HOUSING: PBT UL94V-0, BLACK  
 CONTACT: BRASS  
 NUT: BRASS  
 O-RING: NBR, BLACK  
 BACK HOUSING: PBT, UL94V-0, BLACK  
 DOWN HOUSING: PBT, UL94V-0, BLACK

FINISH

CONTACT: GOLD 10µ MIN.  
 UNDER PLATE: NICKEL  
 SHELL: STAIN NICKEL  
 (80-100µ) OVER ALL

ELECTRICAL

RATED CURRENT: 5A  
 RATED VOLTAGE: 125V  
 WATER PROOF: IP67  
 ENVIRONMENT  
 OPERATION TEMPERATURE: -40°C TO +85°C



PCB LAYOUT

RoHS COMPLIANT

DO NOT SCALE FROM DRAWING



THESE DRAWINGS AND SPECIFICATIONS ARE THE PROPERTY OF NorComp AND SHALL NOT BE REPRODUCED, COPIED OR USED AS THE BASIS FOR THE MANUFACTURE OR SALE OF APPARATUS WITHOUT WRITTEN PERMISSION.

DRAWN:	M. SIGMON	DATE:	01-27-15
CHECKED:		DATE:	

NorComp

SCALE:	N.T.S.	SHEET	1	OF	1	REV	0
DWG NO.	861-003-213R004						